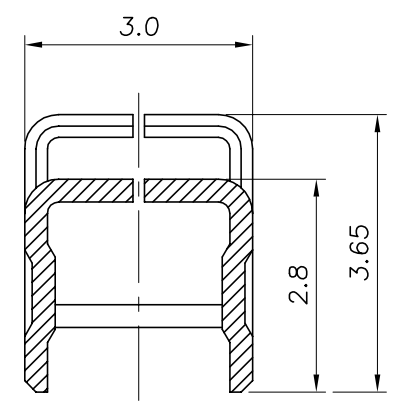
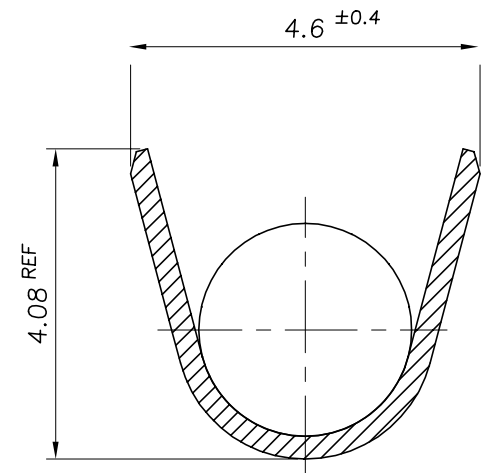
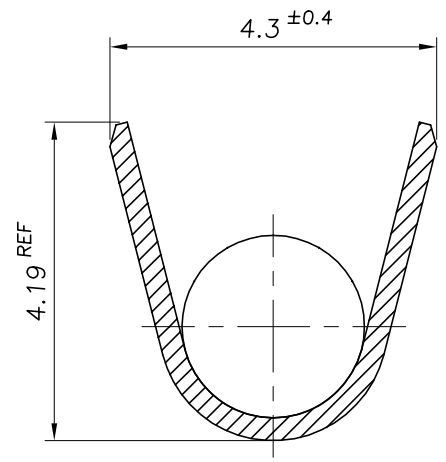
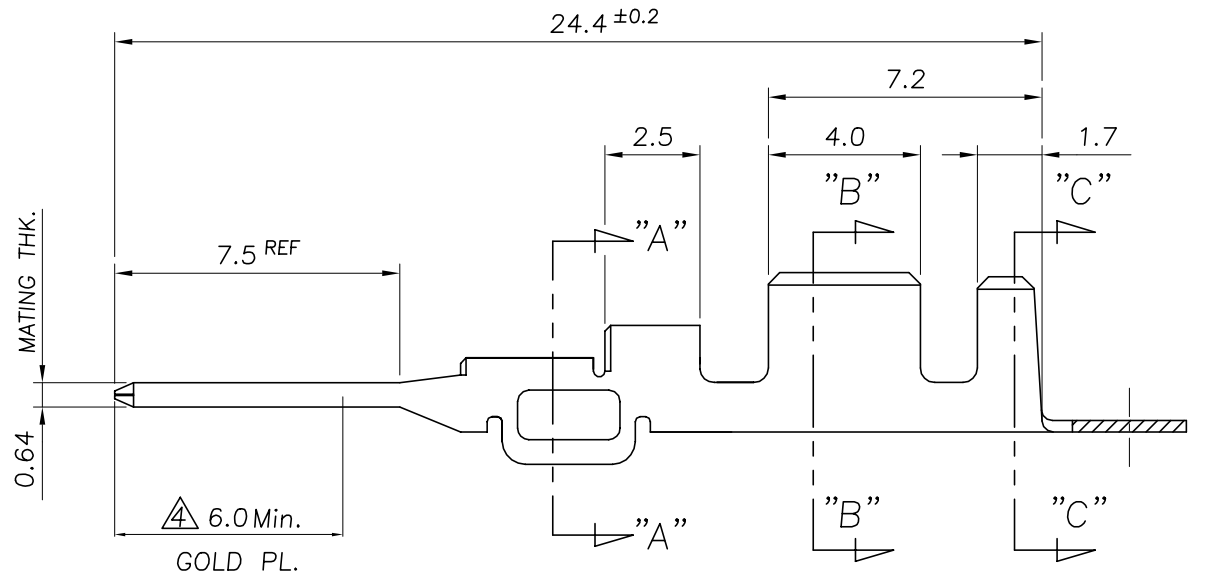
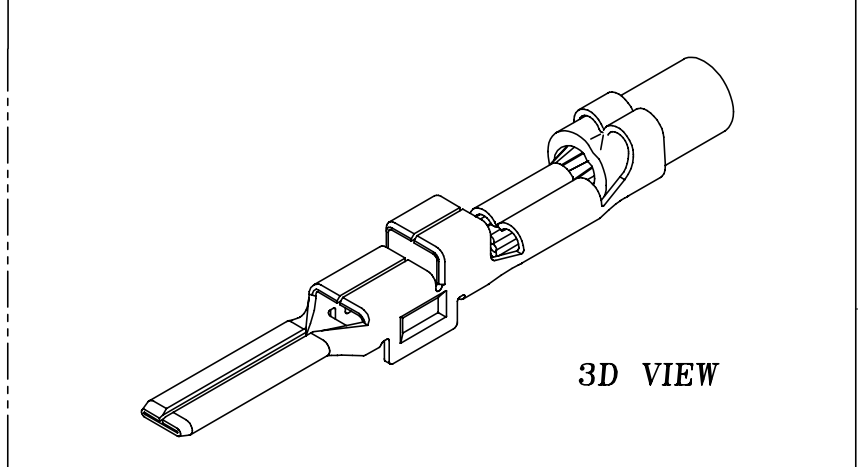
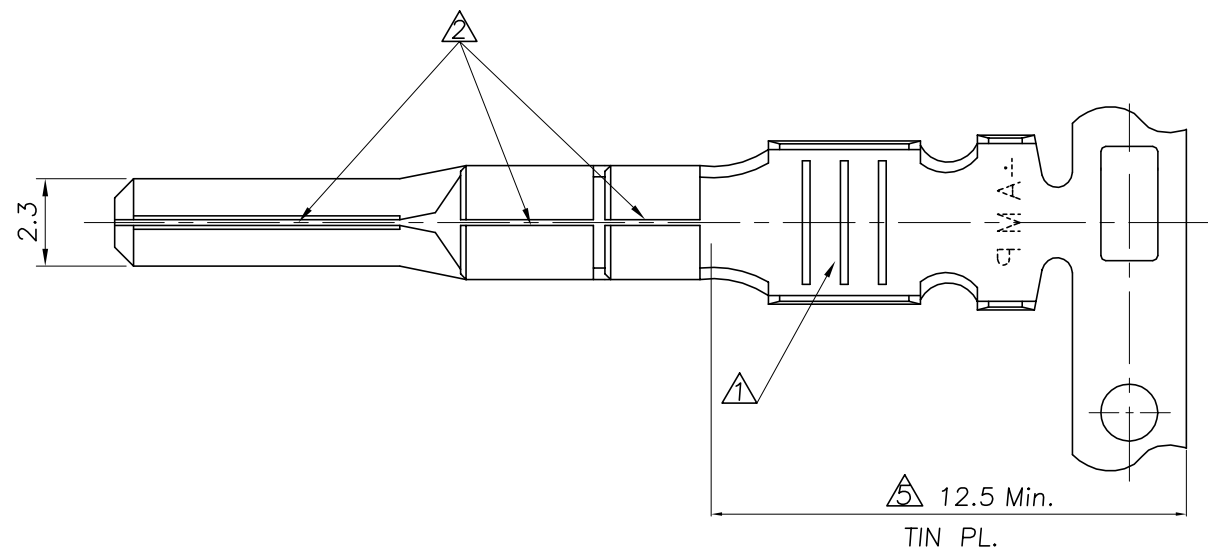


REVISIONS					
P	LTR	DESCRIPTION	DATE	DWN	APVD
	B2	REVISED	ECR-20-006447	25AUG2020	PSJ SPB



- * NOTES**
- ▲ THREE SERRATIONS CENTERED IN WIRE BARREL.
 - ▲ 0.15 MAX GAP PERMISSIBLE.
 - 3 WIRE SIZE EQUIV AVSS 2.0 ~ AESSXF 2.5sqmm.Ⓢ

OBSOLETE	▲▲ SELECTIVE GOLD PRE-TINNED	BRASS STRIP 0.30THK.	1 368086 1
	FINISH		MATERIAL
			PART NUMBER

TOLERANCES UNLESS OTHERWISE SPECIFIED:

0 <XX<10	± 0.2
10<XX<30	± 0.25
ANGLES	± 3°

THIS DRAWING IS A CONTROLLED DOCUMENT.

DIMENSIONS:	TOLERANCES UNLESS OTHERWISE SPECIFIED:
mm	0 PLC ± -
	1 PLC ± -
	2 PLC ± -
	3 PLC ± -
	4 PLC ± -
	ANGLES ± -
MATERIAL	FINISH
SEE TABLE	SEE TABLE

DWN KT JUNG -		TE Connectivity	
CHK JW JUNG -			
APVD HG CHO -		NAME	
PRODUCT SPEC 108-61021		.090 II MLC TAB CONTACT	
APPLICATION SPEC 114-61004		-	
SIZE	CAGE CODE	DRAWING NO	RESTRICTED TO
A3	00779	©=368086	-
WEIGHT NET; 0.37gf		CUSTOMER DRAWING	
SCALE	SHEET	REV	
FREE	1 of 1	B2	