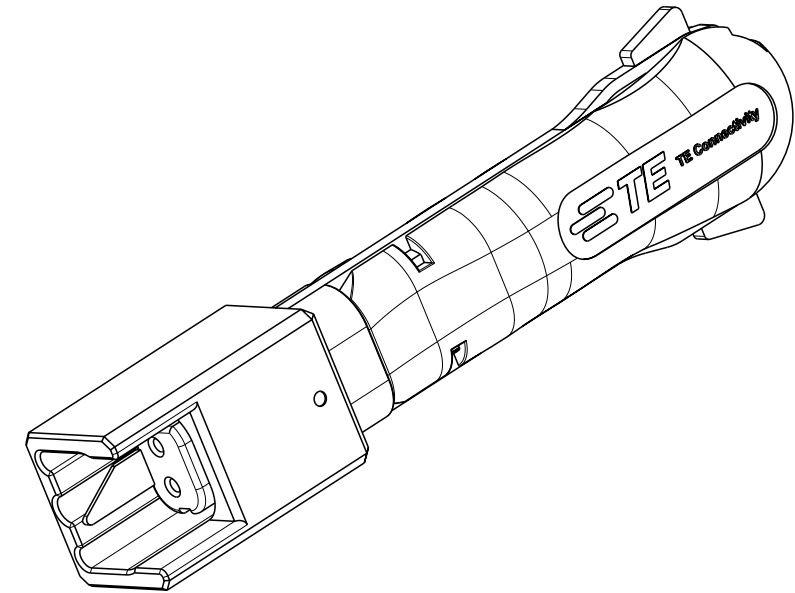
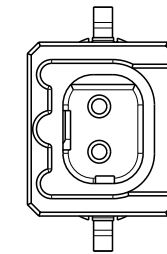
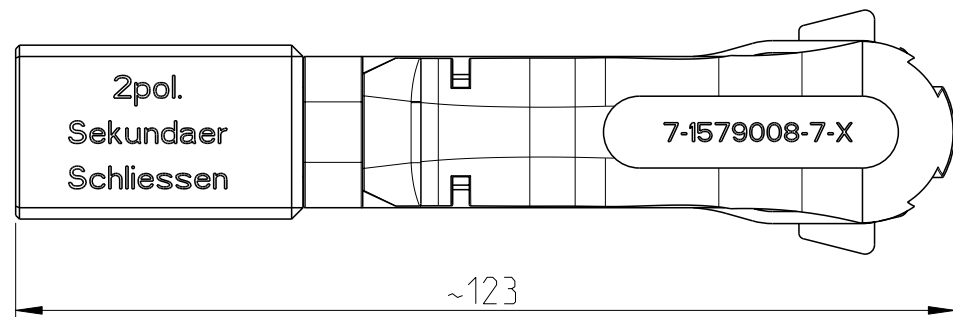
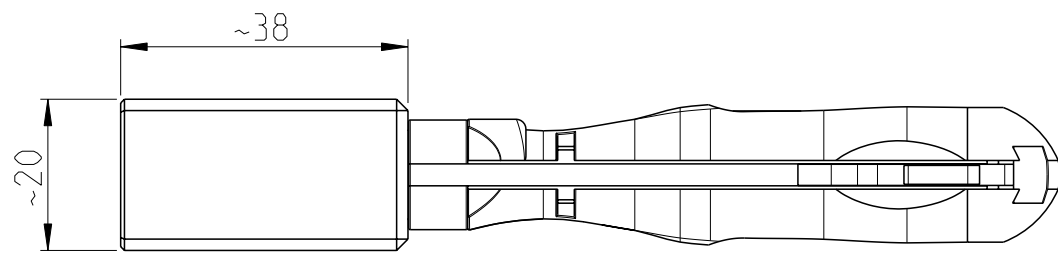
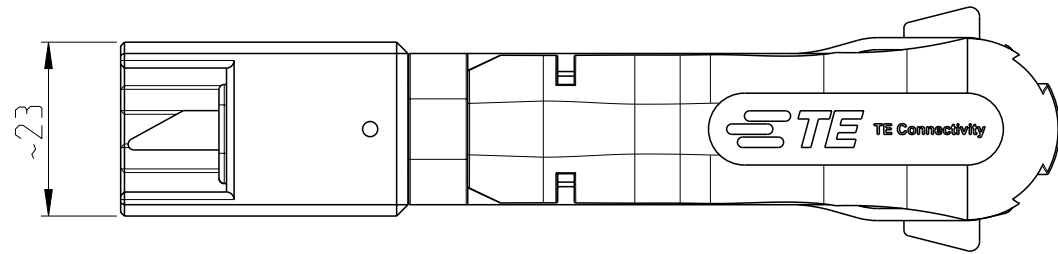


REVISIONS

P	LTR	DESCRIPTION	DATE	DWN	APVD
	A1	ECR-08-015852	24.06.08	SAMS	SAMS
	A2	ECR-16-013187	15SEP2016	KH	RG



APPLICATION RANGE / Anwendungsbereich

CONTACT MQS: 962886, 965908

HOUSING 2 Pos. MQS: 967562

LOCKING TOOL FOR MQS 2POS. CLOSING SECONDARY LOCK  
Enriegelungswerkzeug fuer MQS 2pol. schliessen zweite Kontaktsicherung

THIS DRAWING IS A CONTROLLED DOCUMENT.

DIMENSIONS:	TOLERANCES UNLESS OTHERWISE SPECIFIED:
mm	
	0 PLC ±
	1 PLC ±
	2 PLC ±
	3 PLC ±
	4 PLC ±
	ANGLES ±°
MATERIAL	FINISH
-	-
-	-

DWN	04.06.2008
S. Samstag	
CHK	04.06.2008
G. Stegmayer	
APVD	04.06.2008
G. Stegmayer	
PRODUCT SPEC	-
APPLICATION SPEC	-
WEIGHT	-
CUSTOMER DRAWING	



NAME			
LOCKING TOOL Verriegelungswerkzeug			
SIZE	CAGE CODE	DRAWING NO	RESTRICTED TO
A3	00779	7-1579008-7	-
SCALE		SHEET	REV
1:1		1 OF 1	A2