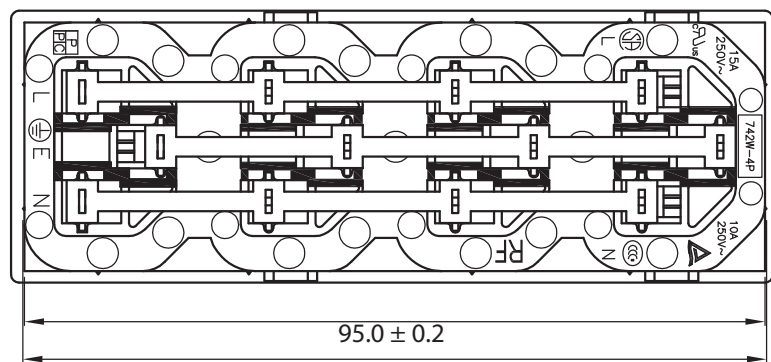
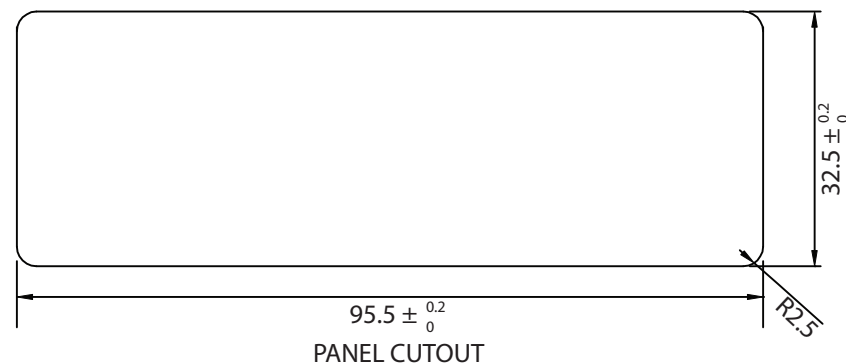
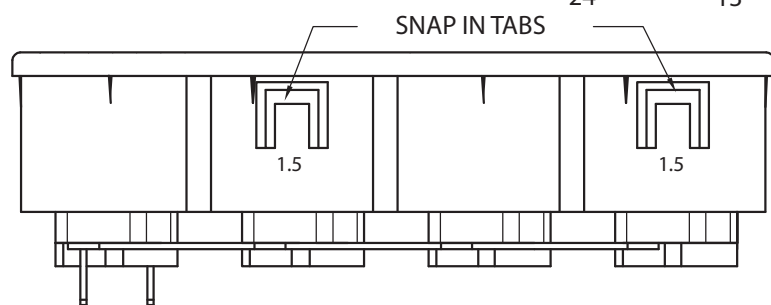
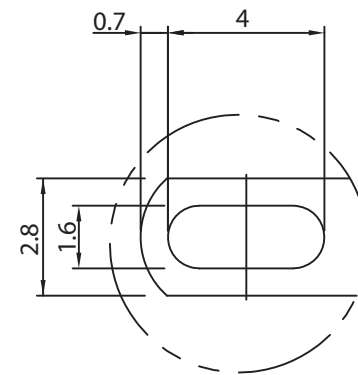
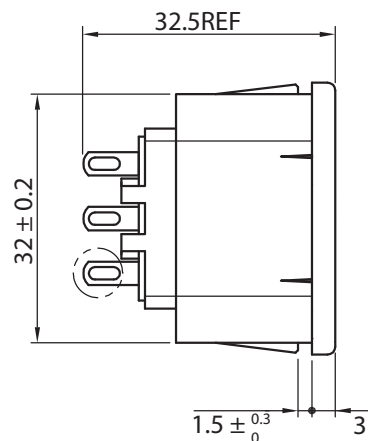
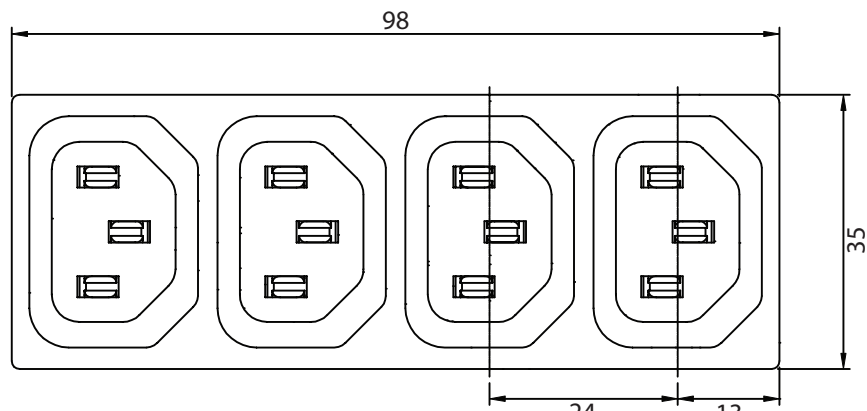


THESE DRAWINGS ARE THE PROPERTY OF QUALTEK ELECTRONICS AND NOT TO BE REPRODUCED FOR OR COMMUNICATED TO A THIRD PARTY WITHOUT THE EXPRESS WRITTEN PERMISSION OF AN OFFICER OF QUALTEK ELECTRONICS.

REVISION			
REV.	DESCRIPTION	DATE	APPROVED
B	RoHS Compliancy	06-01-06	DP
C	Updated Specifications	08-23-11	LY
D	Updated Approvals	04-11-17	LY



NOTES: 95.0 ± 0.2  
95.4 ± 0.2

MATERIAL:  
HOUSING: PC BLACK COLOR  
TERMINALS: TIN PLATED t=0.8mm

RATING:  
UL, cUL, CSA: 15A 250V AC  
TUV, CCC: 10A 250V AC  
APPROVALS: UL, cUL, CSA TUV, CCC  
PANEL THICKNESS: 1.5mm  
RoHS COMPLIANT

**CONTROLLED**

Dim range (mm)	Tolerance +/- (mm)	Qualtek Electronics Corp. PPC DIVISION		
		Part Number: 742W-15/20	RoHS Compliant	
0-1	0.15	Description: AC RECEPTACLE		
1-6	0.20			
6-18	0.30	UNIT: mm	REV. D	
18-50	0.50		Approved / Date	
50-120	0.70	Drawn / Date	Checked / Date	Approved / Date
120-250	0.90	K.Huang 11-21-98	11-21-98	JJH / 11-21-98
250-500	1.20			