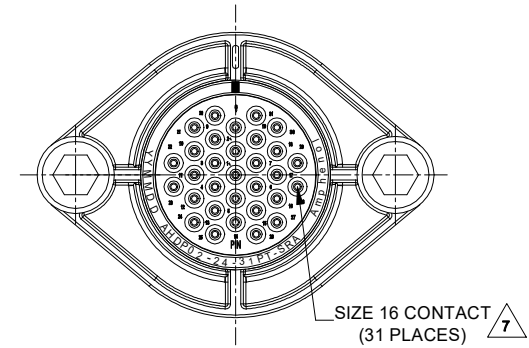


| REVISIONS | | | | | |
|-----------|-----|---------------------|-----------|-------|-------|
| REV | ECO | DESCRIPTION | DATE | BY | APPR |
| A1 | - | RELEASE NEW DRAWING | 18/JUN/20 | LOUIE | TOMMY |



NOTES: UNLESS OTHERWISE SPECIFIED

1. MATERIAL:
 HOUSING: THERMOPLASTIC; BLACK
 SEAL: SILICONE RUBBER
 THREADED INSERT: STAINLESS STEEL

M5X0.8-6H 8mm(2X) DEEP
 THREADED INSERT

RECOMMENDED TORQUE
 VALUES: 1.9-2.2 N.m

2. MODIFICATIONS: SMOOTH RING ADAPTER (SRA);
 THIN WALL DIA. WIRE SEAL
 SEALED PANEL MOUNT

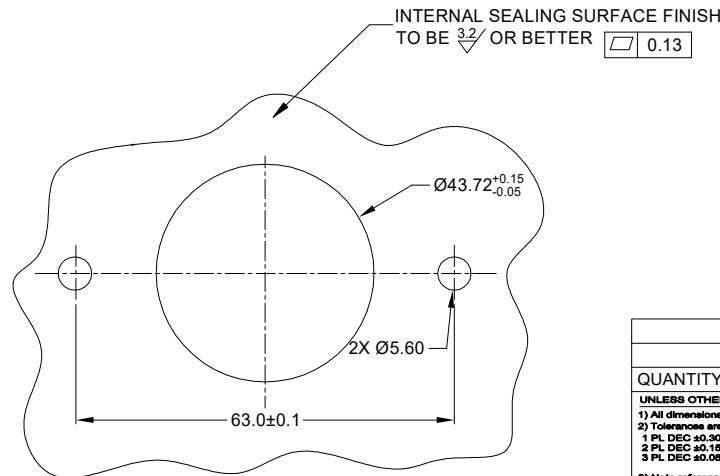
3. SPECIFICATIONS:
 3.1 OPERATING TEMPERATURE: -55°C TO +125°C.
 3.2 DIELECTRIC WITHSTANDING VOLTAGE: LESS THAN 2
 MILLIAMPS CURRENT LEAKAGE @ 1500 VOLTS AC.
 3.3 INSULATION RESISTANCE: 1000 MEGOHM MIN @ 25°C.
 3.4 MOISTURE RESISTANCE: IP67&IP69K (MATED CONDITION).
 3.5 MATING CYCLE DURABILITY: 100 CYCLES
 3.6 RoHS COMPLIANT

4. MATING PART: AHDP06-24-31S* (* = SEAL TYPE)
 5. ALL DIMENSIONS ARE FOR REFERENCE USE ONLY.

6. RECEPTACLE IS SUPPLIED WITH DUST CAP (NOT SHOW)

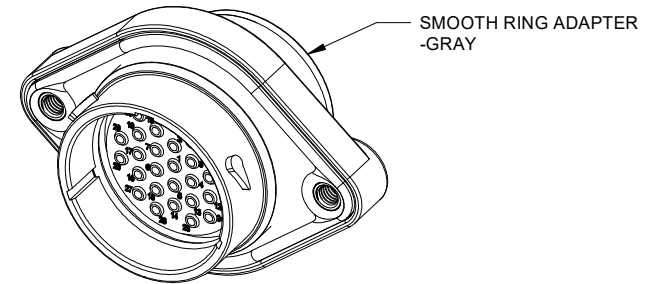
△ CONTACT SIZE AND WIRE RANGE:

| CONTACT SIZE | MIN. INSUL O.D. | MAX. INSUL O.D. | TYPICAL WIRE RANGE | CURRENT RATING |
|--------------|------------------|------------------|-------------------------------------|----------------|
| 16 | 2.23 mm (.088in) | 2.69 mm (.106in) | 14-20 AWG (2.0-0.5mm ²) | 13 AMPS |



RECOMMENDED PANEL
 MOUNTING HOLE

RECOMMENDED PANEL
 THICKNESS: 1.6 TO 4.7MM



| AHDP02-24-31PT-SRA | | DESCRIPTION | | ITEM |
|--|-------------|--|-----------------------------------|---|
| QUANTITY | PART NUMBER | MATERIALS LIST | | |
| <p>UNLESS OTHERWISE SPECIFIED</p> <p>1) All dimensions are in metric(mm). 2) Tolerances are as follows: 1 PL DEC ±0.30 Fractions ±1/64 2 PL DEC ±0.15 Angles ±1° 3 PL DEC ±0.08</p> <p>3) Note reference = △</p> | | | | |
| SIGNATURES | | DATE | | |
| DRAWN: LOUIE | | 18/JUN/20 | | |
| CHECKED: ORION | | 19/JUN/20 | | |
| ENGINEER: | | | | |
| APPROVAL: TOMMY | | 19/JUN/20 | | |
| MATERIAL SPECIFICATIONS: | | CUSTOMER: | | |
| PROCESS SPECIFICATIONS: | | THIS DRAWING IS SUPPLIED FOR INFORMATION ONLY. DESIGN FEATURES, SPECIFICATIONS AND PERFORMANCE DATA SHOWN HEREON ARE THE PROPERTY OF THE AMPHENOL CORPORATION. NO RIGHTS OF REPRODUCTION ARE IMPLIED. ALL DIMENSIONS ARE SUBJECT TO NORMAL MANUFACTURING VARIATIONS. | | |
| NEXT ASSY: | | SCALE: NONE | | |
| | | <p>31 POS, RECEPTACLE, PIN, PANELMATE AHDP SIZE 24, THIN SEAL, SRA</p> | | <p>Amphenol</p> <p>Sine Systems - www.amphenol-sine.com 44724 Morley Drive Clinton Township, MI 48036</p> |
| | | <p>SIZE: B C-</p> | <p>DWG NO: AHDP02-24-31PT-SRA</p> | <p>REVISION: A1</p> |
| | | <p>SHEET 1 OF 1</p> | | <p>DURAMATE</p> |

TITLE: 31 POS, RECEPTACLE, PIN, PANELMATE AHDP SIZE 24, THIN SEAL, SRA
 DWG NO: AHDP02-24-31PT-SRA
 REV: A1
 SH: 1
 OF: 1