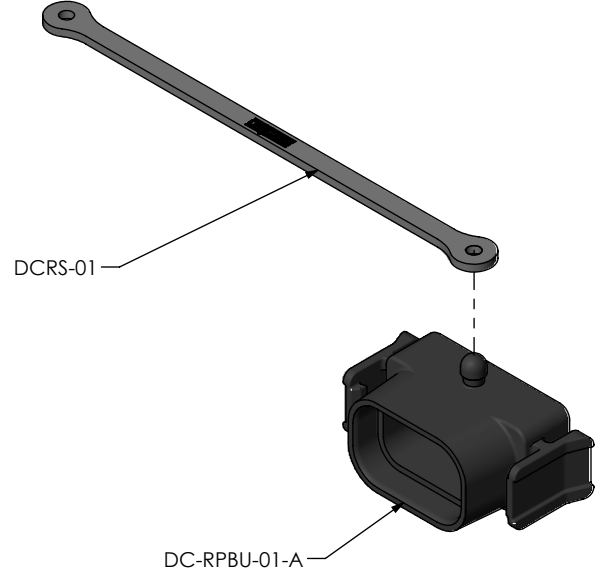
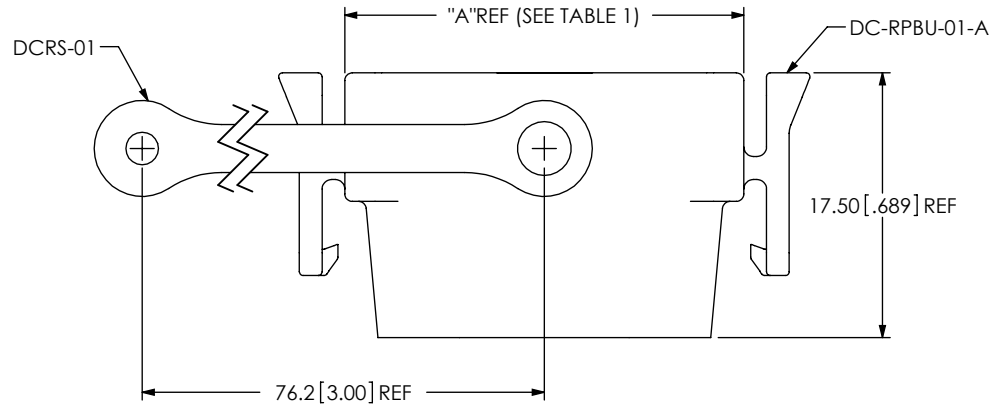


DO NOT SCALE FROM THIS PRINT

DESIGNED & DIMENSIONED IN MILLIMETERS [INCHES]

No OF PORTS \_\_\_\_\_  
 -01: SINGLE PORT  
 -02: DUAL PORT (ONLY AVAILABLE ON TYPE A)  
 TYPE \_\_\_\_\_  
 -A: USB TYPE A  
 -B: USB TYP B  
 OPTION \_\_\_\_\_  
 -01: W/STRAP



No OF PORTS	"A"
-01	26.40 [1.039]
-02	48.05 [1.892]

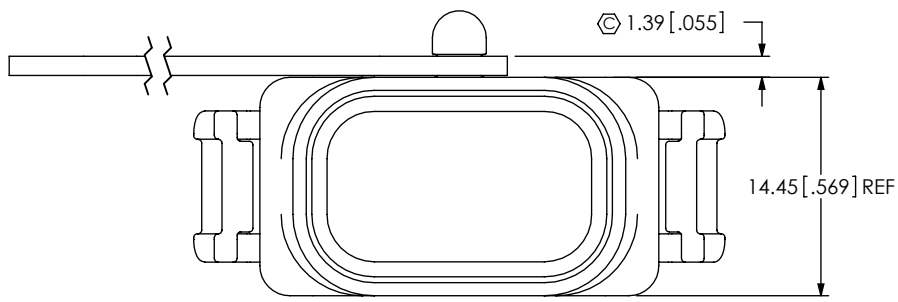



FIG. 1  
 DCA-RPBU-01-01-A SHOWN  
 (FOR RPBU-XX-X-A-XX-XX PANEL ONLY)

- NOTES:
1. Ⓢ REPRESENTS A CRITICAL DIMENSION.
  2. COMPONENTS OF SUB-ASSEMBLY TO BE INSPECTED USING COMPONENT PRINTS.
  3. MINIMUM RETENTION: 4.4N [1.0 LB].
  4. PARTS TO BE BULK PACKAGED.

UNLESS OTHERWISE SPECIFIED, DIMENSIONS ARE IN MILLIMETERS. TOLERANCES ARE: DECIMALS      ANGLES X.X: ±0.3 [.01]      2° X.XX: ±0.13 [.005] X.XXX: ±0.051 [.0020]	PROPRIETARY NOTE THIS DOCUMENT CONTAINS INFORMATION CONFIDENTIAL AND PROPRIETARY TO SAMTEC, INC. AND SHALL NOT BE REPRODUCED OR TRANSFERRED TO OTHER DOCUMENTS OR DISCLOSED TO OTHERS OR USED FOR ANY PURPOSE OTHER THAN THAT WHICH IT WAS OBTAINED WITHOUT THE EXPRESSED WRITTEN CONSENT OF SAMTEC, INC.	 520 PARK EAST BLVD, NEW ALBANY, IN 47150 PHONE: 812-944-6733    FAX: 812-948-5047 e-Mail: info@SAMTEC.com    code 55322	
		DESCRIPTION: DUST CAP FOR RPBU	
MATERIAL: DO NOT SCALE DRAWING      SHEET SCALE: 2:1 DUST CAP: PA66 STRAP: RUBBER		DWG. NO. DCA-RPBU-XX-01-X	
F:\DWG\MISC\MKTG\DCA-RPBU-XX-01-X-MKT.SLDDRW		BY: T NEWTON 08/25/2010      SHEET 1 OF 2	

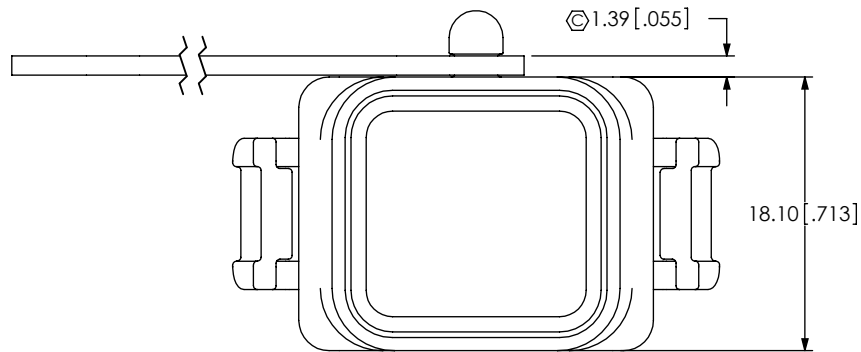
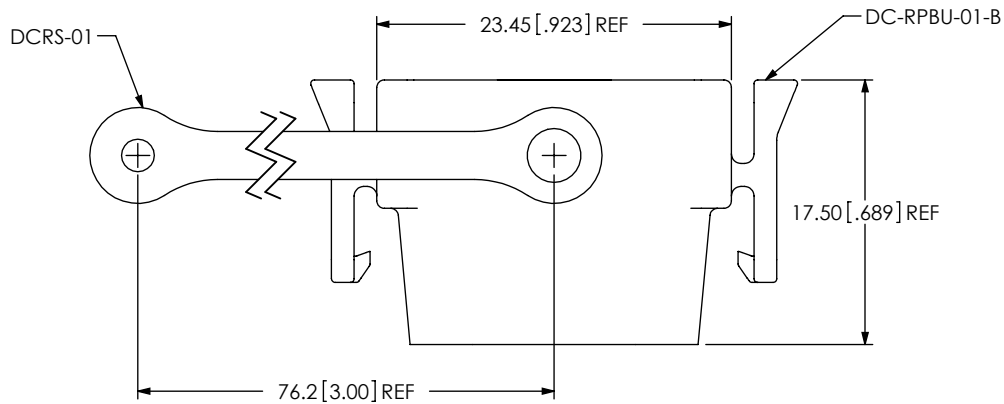
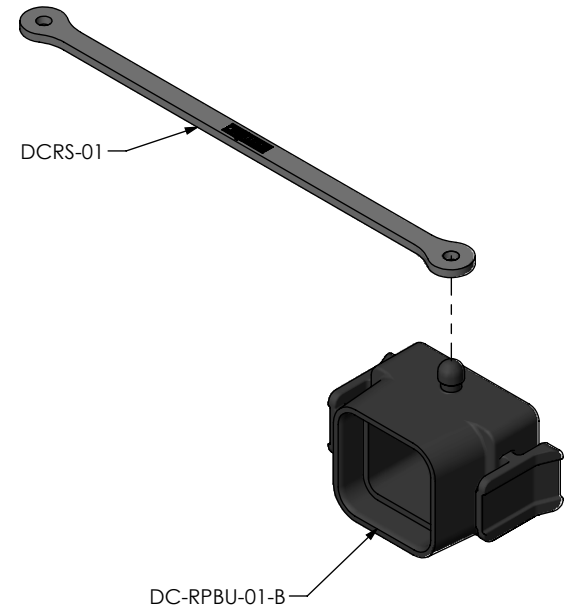



FIG. 2  
DCA-RPBU-0T-0T-B SHOWN  
(FOR RPBU-01-X-B-XX-XX PANEL ONLY)



<p><b>PROPRIETARY NOTE</b> THIS DOCUMENT CONTAINS INFORMATION CONFIDENTIAL AND PROPRIETARY TO SAMTEC, INC. AND SHALL NOT BE REPRODUCED OR TRANSFERRED TO OTHER DOCUMENTS OR DISCLOSED TO OTHERS OR USED FOR ANY PURPOSE OTHER THAN THAT WHICH IT WAS OBTAINED WITHOUT THE EXPRESSED WRITTEN CONSENT OF SAMTEC, INC.</p> <p>DO NOT SCALE DRAWING</p> <p>SHEET SCALE: 2:1</p>		
	<p>520 PARK EAST BLVD, NEW ALBANY, IN 47150 PHONE: 812-944-6733 FAX: 812-948-5047 e-Mail info@SAMTEC.com code 55322</p>	
	<p>DESCRIPTION: DUST CAP FOR RPBU</p>	
	<p>DWG. NO. DCA-RPBU-XX-01-X</p>	
<p>BY: T NEWTON 08/25/2010</p>		<p>SHEET 2 OF 2</p>