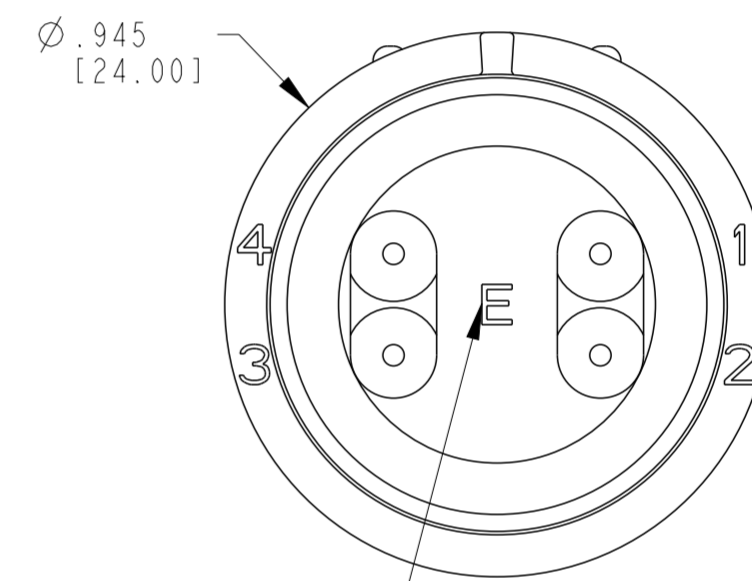
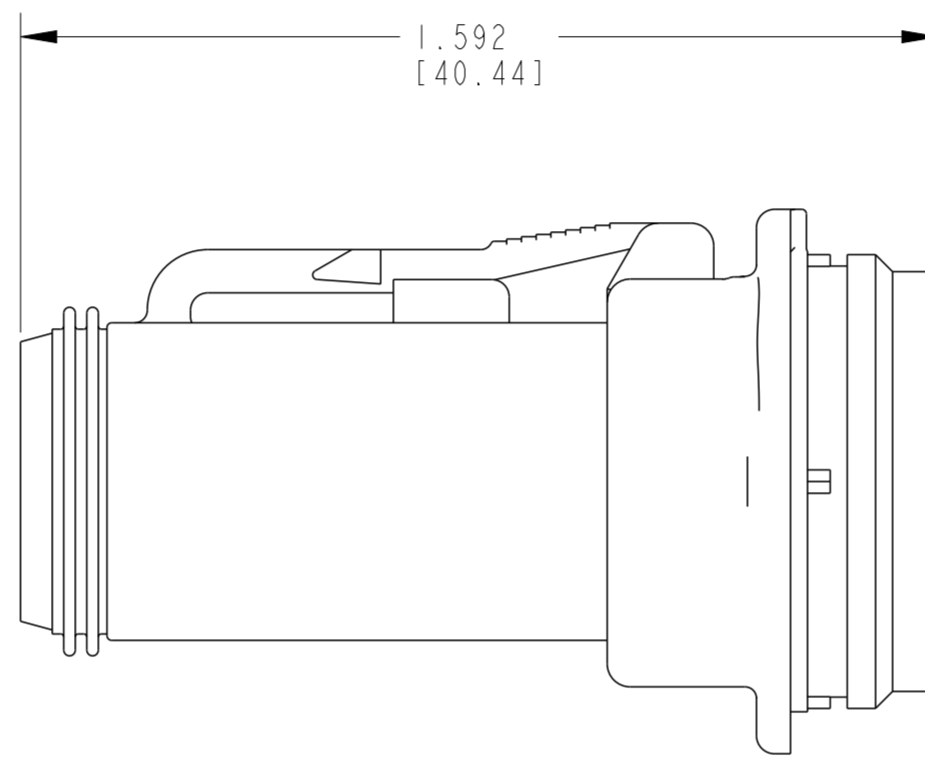
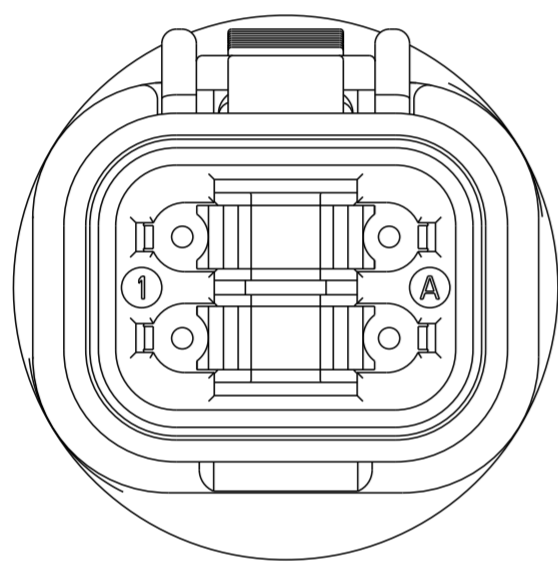
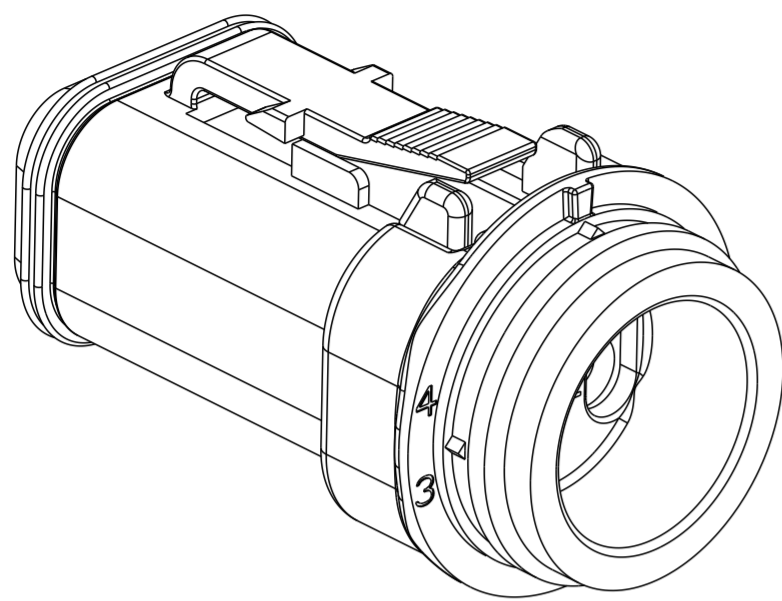
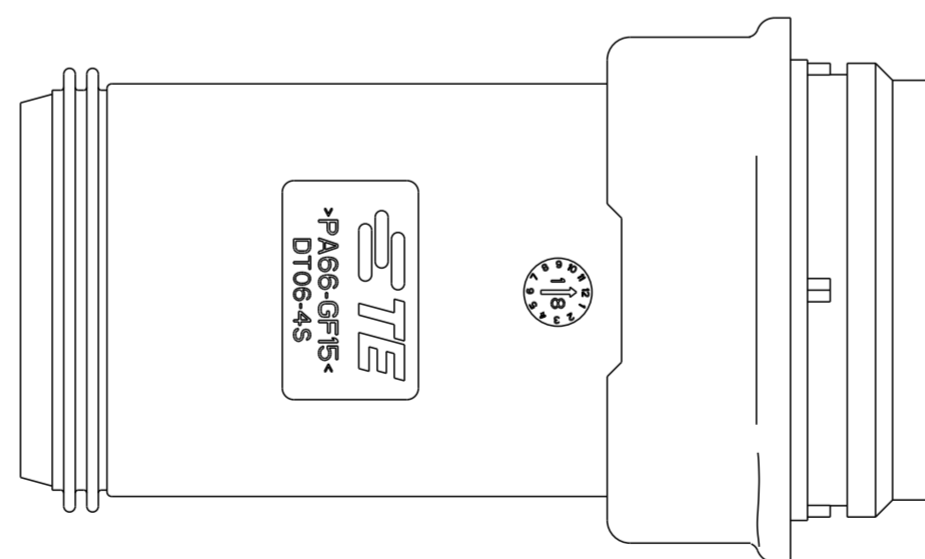


P	LTR	DESCRIPTION	DATE	DWN	APVD
NC		NEW RELEASE PER E.O. P19989	23OCT2008	RM	RDR
A		REVISED PER E.O. P20089	23JUN2009	RM	RDR
B		REVISED PER E.O. P20985	27JUN2011	RM	RDR
BI		REVISED PER PCN E-21-003453	04MAY2022	AP	IG



-E- SYMBOL DESIGNATES REDUCED DIAMETER WIRE SEAL

DATE CODE: YEAR TO BE REPRESENTED BY LAST NUMERICAL DIGIT, EX: 6 = 2006.
MONTH USES SEQUENTIAL ALPHA CHARACTERS, EX: A = JANUARY.



CONTACT SIZE	MIN. INSUL. O.D.	MAX. INSUL. O.D.	WIRE RANGE [mm ²]
16	.053 [1.35]	.120 [3.05]	14-20 AWG [2.0-0.5]

- 3. MATERIAL: SHELL: PLASTIC; COLOR: BLACK
SEAL: RUBBER; COLOR: ORANGE
- 2. THIS PLUG MATES WITH THE DT04-4P-XXXX RECEPTACLE (XXXX = ALL MODIFICATIONS).
- 1. FOR CONTACT AND WIRE PERFORMANCE AND APPLICATION CHARACTERISTICS SEE DRAWINGS 0425-015-0000 AND 0425-017-0000.

NOTES:

THIS DRAWING IS A CONTROLLED DOCUMENT.		DWN R. MESSENGER 27AUG2008		
DIMENSIONS: INCHES [mm]		CHK B. BYFORD 17JUN2011		
TOLERANCES UNLESS OTHERWISE SPECIFIED:		APVD S. BEARD 20JUN2011	NAME 4 WAY PLUG DT SERIES DIN BACKSHELL ADAPTER E-SEAL, SEAL RETENTION	
0 PLC ± 1 PLC ± 2 PLC ±.025 [0.63] 3 PLC ± 4 PLC ± ANGLES ± FINISH		PRODUCT SPEC 108-151009	SIZE A2	
MATERIAL		APPLICATION SPEC 114-151009	CAGE CODE 00779	DRAWING NO. G-DT06-4S-LC01
		WEIGHT	RESTRICTED TO	
		CUSTOMER DRAWING	SCALE 1.000	SHEET OF REV BI