

SUMMARY



Image is for illustrative purpose only

Wires

Coax 1

Series 01
Termination type Female solder
IP rating 50
AWG wire size 0.00 - 0.00
Cable Ø 0.00 - 0.00 mm
Status active
Matching parts [FFS.01.250.DLAE31](#)

Download

[Request a quote](#)

[Catalog](#)

TECHNICAL DETAILS

Mechanics

Shell Style/Model ERA*: Fixed receptacle, nut fixing
Keying Circular, female
Housing Material Brass (gold plated [ISO 27874]) shell, collet nut, brass latch sleeve and mid pieces
Weight 1.24 g

Performance

Configuration 01.250 : 1 Coax (50 Ohm)
Insulator
Rated Current

Specifications

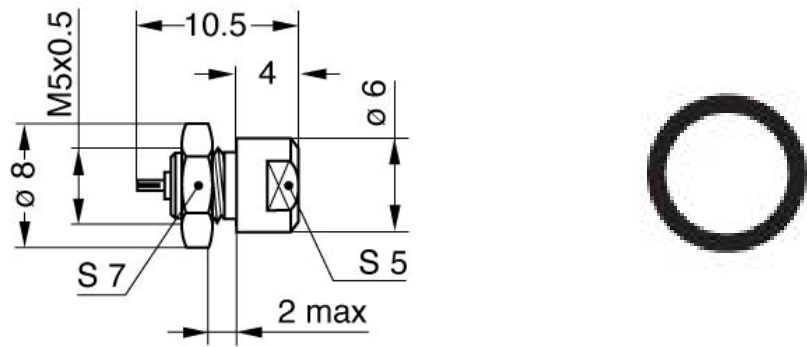
Contact Type: Solder

Others

Endurance (Shell): 1000 mating cycles

LEMO products and services are provided "as is". LEMO makes no warranties or representations with regard to LEMO product & services or use of them, express, implied or statutory, including for accuracy, completeness, or security. The user is fully responsible for his products and applications using LEMO components.

DRAWINGS



Dimensions

	A	B	E	L	M	S1	S2	e
mm.	6	8	2	10.5	4	5	7	M5x0.5
in.	0,24	0,31	0,08	0,41	0,16	0,20	0,28	

RECOMMENDED BY LEMO

Tools

Cables

CCN.50.051.1529NMC			
--------------------	--	--	--

LEMO products and services are provided "as is". LEMO makes no warranties or representations with regard to LEMO product & services or use of them, express, implied or statutory, including for accuracy, completeness, or security. The user is fully responsible for his products and applications using LEMO components.