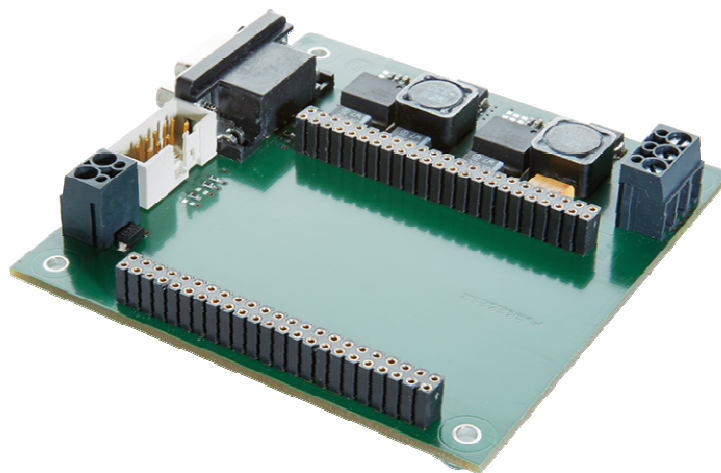




User Manual

PLCS-40 BOB



PicoLAS GmbH
Burgstr. 2
52146 Würselen
Germany

Phone: +49 (0) 2405-64594-60
Fax: +49 (0) 2405-64594-61
E-mail: info@picolas.de
Web: www.picolas.de

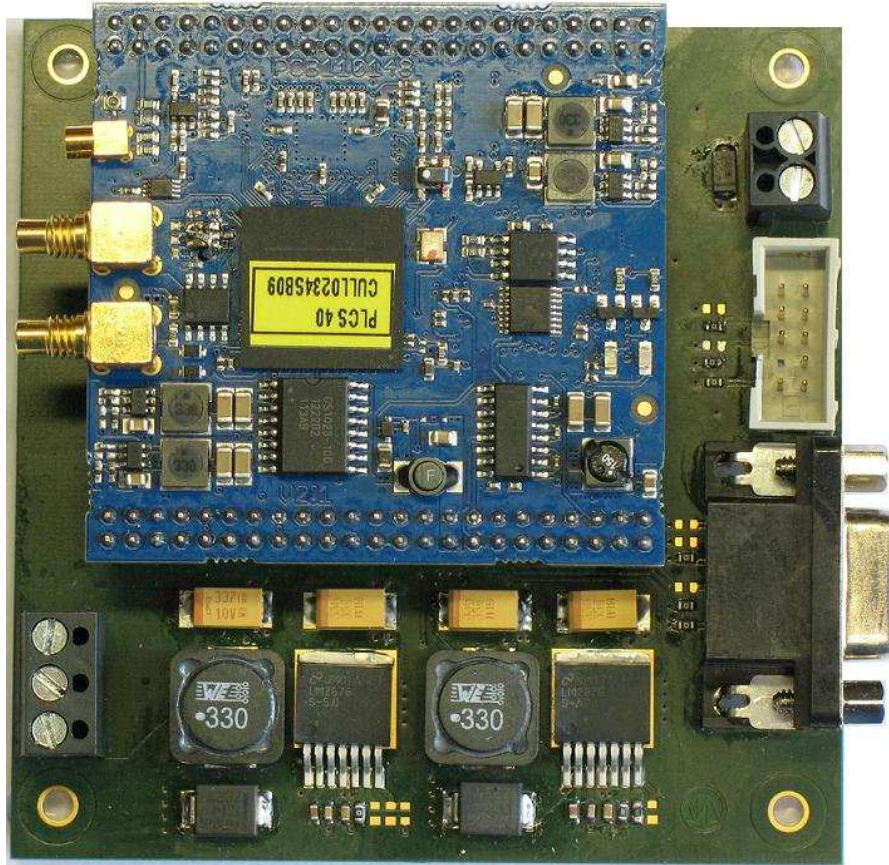
Table of Contents

PLCS-40 BOB	3
Connectors of the Breakout Board (BOB)	4

PLCS-40 BOB

The PLCS-40 BOB is designed to provide an easy way operating the PLCS-40. It is equipped with a 15 V voltage regulator, which enhances the operating voltage to 24 V .. 30 V. An additional voltage regulator provides 5 V / 1 A to an external connector. This can be used to power additional devices like the BFS-VRM 03.

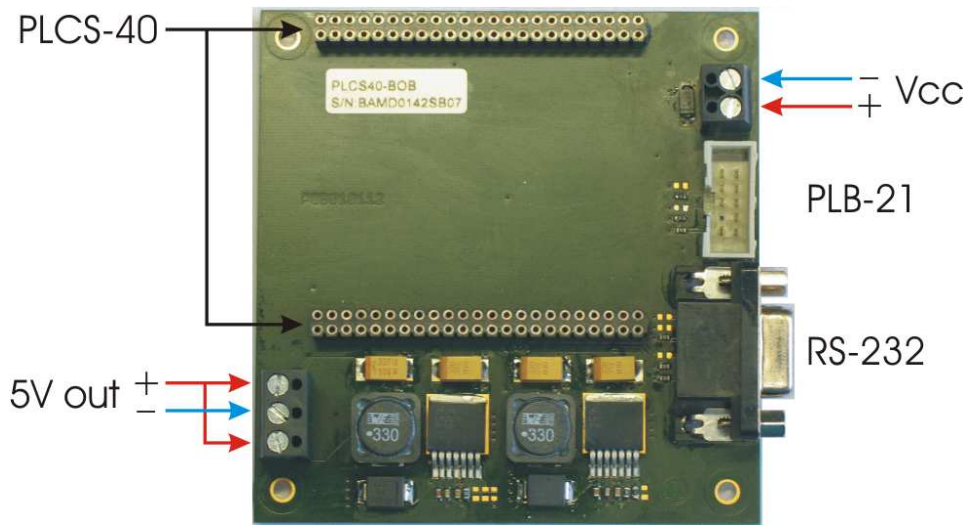
Furthermore, two connectors provide easy access to the RS-232 connectors of the PLCS-40. Please note that the SUB-D and PLB-21 connectors cannot be used at the same time.



PLCS-40 BOB with attached PLCS-40

Connectors of the Breakout Board (BOB)

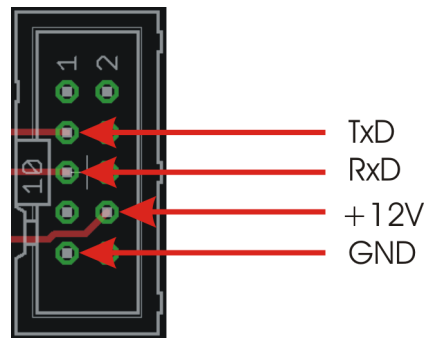
The following picture shows the position and polarity of the connectors. The individual pin out is described afterwards.



PLCS-40 BOB without attached PLCS-40

PLB-21

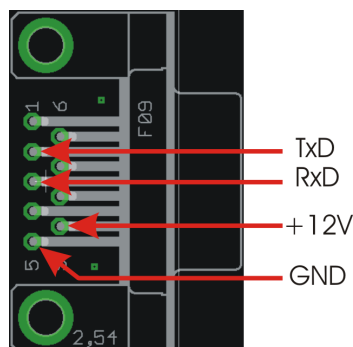
This connector is used to connect the PLCS-40 BOB to a PLB-21. This connection can not be used in combination with the RS-232 connector as they share the same physical interface on the PLCS-40. The following picture shows the pin out:



PLB-21 connector

RS-232

This connector can be used to connect the PLCS-40 BOB to a PC using a RS-232 port or an USB serial converter. Please use a 1:1 RS-232 cable. This connection can not be used in combination with the RS-232 connector as they share the same physical interface on the PLCS-40.



RS-232 connector