



## Main

Range of Product	Telemecanique Cabling components
Accessory / separate part category	Cabling accessory
Accessory / Separate Part Type	Pre-wired connectors
Series name	General purpose

## Complementary

Electrical connection	Elbowed female connector M12, 3 pins
Cable connector fixing	Screw-on
Collar material	Stainless steel
Status LED	2 PNP LEDs
Cable length	6.56 ft (2 m)
Cable outer diameter	0.20 in (5.2 mm)
Cable composition	3 x 0.34 mm <sup>2</sup>
Wire insulation material	PUR
[Ue] rated operational voltage	10...30 V DC
Line Rated Current	4 A
Contact resistance	5000 μOhm
Minimum insulating resistance	1 GΩ
Net Weight	0.18 lb(US) (0.08 kg)

## Environment

IP Degree of Protection	IP69K IP67 IP65
Product Certifications	cULus
Ambient air temperature for operation	-40...176 °F (-40...80 °C) static 23...176 °F (-5...80 °C) flexing
Ambient Air Temperature for Storage	-31...212 °F (-35...100 °C)

## Ordering and shipping details

Category	22483-MACHINE CABLES
Discount Schedule	DS3
GTIN	3389110069938
Nbr. of units in pkg.	1
Package weight(Lbs)	2.33 oz (66.0 g)
Returnability	No
Country of origin	CZ

## Packing Units

Unit Type of Package 1	PCE
Package 1 Height	1.18 in (3 cm)
Package 1 width	7.87 in (20 cm)
Package 1 Length	7.87 in (20 cm)
Unit Type of Package 2	S02
Number of Units in Package 2	20
Package 2 Weight	3.64 lb(US) (1.652 kg)
Package 2 Height	5.91 in (15 cm)
Package 2 width	11.81 in (30 cm)
Package 2 Length	15.75 in (40 cm)

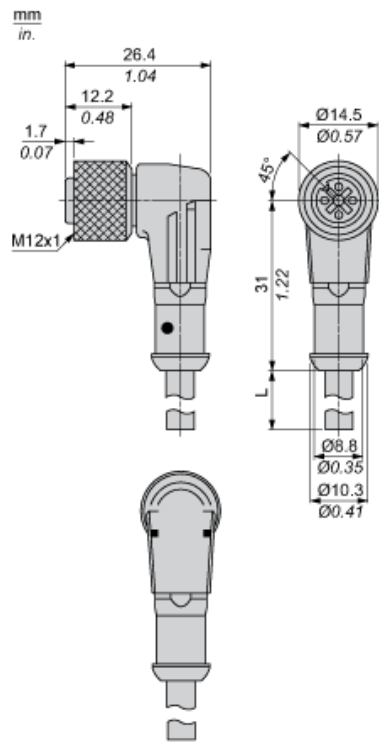
## Offer Sustainability

Sustainable offer status	Green Premium product
California proposition 65	WARNING: This product can expose you to chemicals including: Diisononyl phthalate (DINP), which is known to the State of California to cause cancer, and Di-isodecyl phthalate (DIDP), which is known to the State of California to cause birth defects or other reproductive harm. For more information go to <a href="http://www.P65Warnings.ca.gov">www.P65Warnings.ca.gov</a>
REACH Regulation	<a href="#">REACH Declaration</a>
EU RoHS Directive	Pro-active compliance (Product out of EU RoHS legal scope) <a href="#">EU RoHS Declaration</a>
Mercury free	Yes
RoHS exemption information	<a href="#">Yes</a>
Environmental Disclosure	<a href="#">Product Environmental Profile</a>
Circularity Profile	<a href="#">End Of Life Information</a>

## Contractual warranty

Warranty	18 months
----------	-----------

Dimensions



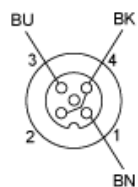
L : Length of cable

---

Connections and Schemes

---

Connector



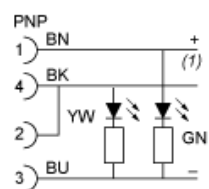
BN : Brown  
BK : Black  
BU : Blue

---

Connections and Schemes

---

LED Connection



BN : Brown  
BK : Black  
BU : Blue  
GN : Green  
YW : Yellow  
(1) Signal