

CIRCUIT SIZE	DIMENSIONS				
	A±0.12	B±0.12	C±0.25	D±0.25	E±0.25
2	14.35	13.46	8.64	2.41	6.35
3	20.70	13.46	8.64	2.41	6.35
4	27.05	13.46	8.64	2.41	6.35
6	14.35	26.16	12.19	6.99	6.35
8	52.45	13.46	8.64	2.41	6.35
9	20.70	26.16	12.19	6.99	6.35
12	27.05	26.16	12.19	6.99	8.89
15	33.40	26.16	12.19	6.99	8.89

NOTES:

- MATERIAL CODES:
 "A" = PA6/6, V-2
 COLOUR: NATURAL-TRANSLUCENT
 "C" = PA66/6, V-0
 COLOUR: NATURAL-OPAQUE
 "E" = NYLON PA66, 94V-2
 COLOUR- BLACK (ZYTEL 101F)
- UNLESS OTHERWISE INDICATED, DIMENSIONS ARE FOR REFERENCE ONLY.
- CAP HOUSINGS MATE WITH :
 - PLUG HOUSINGS, 2.13 DIA. SERIES: (42021-**)
- HOUSINGS DESIGNED TO BE USED WITH TERMINALS:
 - PINS, 2.13 DIA. SERIES: (42023-****)
 - SOCKETS, 2.13 DIA. SERIES: (42024-****)
- CONTACTS ARE ON 6.35 GRID CENTERLINE SPACING.
- PANEL TO BE PUNCHED SO THAT THE HOUSING ENTERS THE PANEL OPPOSITE THE SIDE WITH THE BURR (I.E. OPPOSITE THE BREAK SIDE).
- PRODUCT SPECIFICATION PS-42022-0001 APPLIES.
- REFER DOCUMENT NO SD-36644-009 FOR GLOW WIRE COMPATIBLE PART NUMBERS.

▲ - CIRCUIT #1 LOCATION WHEN USING POLARIZING KEY OPTION WITH 2,3,4 AND 8 CIRCUIT HOUSINGS.
 ● OPTION WITH 6, 9, 12 AND 15 CIRCUIT HOUSINGS.

THIS DRAWING CONTAINS INFORMATION THAT IS PROPRIETARY TO MOLEX ELECTRONIC TECHNOLOGIES, LLC AND SHOULD NOT BE USED WITHOUT WRITTEN PERMISSION

DIMENSION UNITS	SCALE	CURRENT REV DESC: MIGRATED TO ECTR	
MM	2:1		
GENERAL TOLERANCES (UNLESS SPECIFIED)			
4 PLACES	±	EC NO: 178202	
3 PLACES	±	DRWN: RLALSANGI	2018/02/26
2 PLACES	± 0.25	CHK'D: NCSR	2018/07/12
1 PLACE	± 0.36	APPR: NCSR	2018/07/12
0 PLACES	±	INITIAL REVISION:	
ANGULAR TOL	± °	DRWN: RK	1987/11/15
DRAFT WHERE APPLICABLE MUST REMAIN WITHIN DIMENSIONS		APPR: GWF	1987/11/15
THIRD ANGLE PROJECTION		DRAWING	SERIES
A2-SIZE		42022	
MATERIAL NUMBER		CUSTOMER	SHEET NUMBER
SEE TABLE OF SHEET 2		GENERAL MARKET	1 OF 2

HOUSING CAP
.084/(2.13) DIA. SERIES

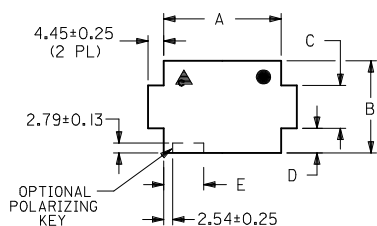
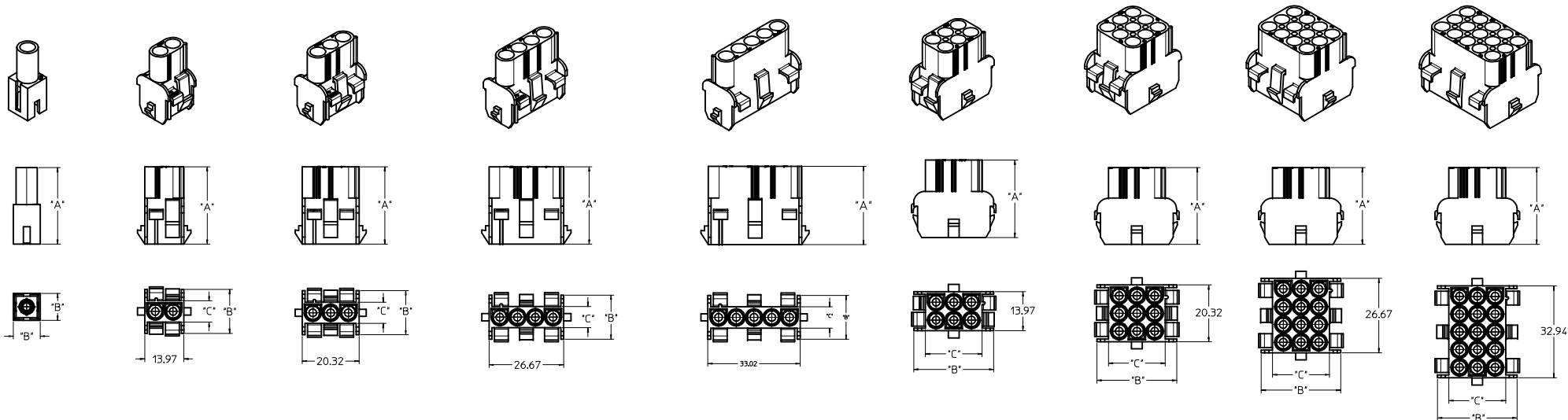
PRODUCT CUSTOMER DRAWING

DOCUMENT NUMBER	DOC TYPE	DOC PART	REVISION
420220000	PSD	000	A

PART NO	CIRCUIT SIZE	MATERIAL (SEE NOTE 1)	DIM "A"	DIM "B"	DIM "C"
050-84-2010	1	A	27.70	9.65	---
050-84-2012	1	C			
366480021	1	E			
050-84-2020	2	A	27.70	15.75	7.62
050-84-2022	2	C			
366480022	2	E			
050-84-2030	3	A	27.70	15.75	7.62
050-84-2032	3	C			
366480023	3	E			
050-84-2040	4	A	27.70	15.75	7.62
050-84-2042	4	C			
366480024	4	E			
050-84-2060	6	A	27.70	28.45	20.32
050-84-2062	6	C			
366480025	6	E			
050-84-2090	9	A	27.70	28.45	20.32
050-84-2092	9	C			
366480026	9	E			
050-84-2120	12	A	27.70	28.45	20.32
050-84-2122	12	C			
366480027	12	E			
050-84-2150	15	A	27.70	28.45	20.32
050-84-2152	15	C			
366480028	15	E			

THIS DRAWING CONTAINS INFORMATION THAT IS PROPRIETARY TO MOLEX ELECTRONIC TECHNOLOGIES, LLC AND SHOULD NOT BE USED WITHOUT WRITTEN PERMISSION									
DIMENSION UNITS		SCALE		CURRENT REV DESC: MIGRATED TO ECTR				molex	
MM		1:1							
GENERAL TOLERANCES (UNLESS SPECIFIED)				EC NO: 178202				HOUSING CAP .084/(2.13) DIA. SERIES	
				DRWN: RLALSANGI 2018/02/26					
4 PLACES ±				CHK'D: NCSR 2018/07/12				PRODUCT CUSTOMER DRAWING	
3 PLACES ±				APPR: NCSR 2018/07/12					
2 PLACES ± 0.25				INITIAL REVISION:				DOCUMENT NUMBER	
1 PLACE ± 0.36				DRWN: RK 1987/11/15					
0 PLACES ±				APPR: GWF 1987/11/15				420220000	
ANGULAR TOL ± °				THIRD ANGLE PROJECTION		DRAWING		DOC TYPE	
DRAFT WHERE APPLICABLE MUST REMAIN WITHIN DIMENSIONS						A2-SIZE		PSD	
				SERIES		CUSTOMER		DOC PART	
				42022		GENERAL MARKET		000	
				SEE TABLE OF SHEET 2				REVISION	
								A	
								SHEET NUMBER	
								2 OF 2	

DOCUMENT STATUS	P1	RELEASE DATE	2018/07/12 07:32:08
-----------------	----	--------------	---------------------



RECOMMENDED PANEL CUTOUT

PANEL THICKNESS: 0.76-2.29
(SEE NOTE 6)

CIRCUIT SIZE	DIMENSIONS				
	A±.005	B±.005	C±.010	D±.010	E±.010
2	14.35	13.46	8.64	2.41	6.35
3	20.70	13.46	8.64	2.41	6.35
4	27.05	13.46	8.64	2.41	6.35
5	33.40	13.46	8.64	2.41	6.35
6	14.35	26.16	12.19	6.99	6.35
8	52.45	13.46	8.64	2.41	6.35
9	20.70	26.16	12.19	6.99	6.35
12	27.05	26.16	12.19	6.99	8.89
15	33.40	26.16	12.19	6.99	8.89

▲ - CIRCUIT #1 LOCATION WHEN USING POLARIZING KEY OPTION WITH 2, 3, 4 AND 8 CIRCUIT HOUSINGS.

● OPTION WITH 6, 9, 12 AND 15 CIRCUIT HOUSINGS.

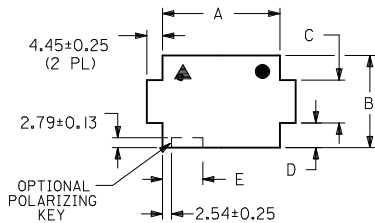
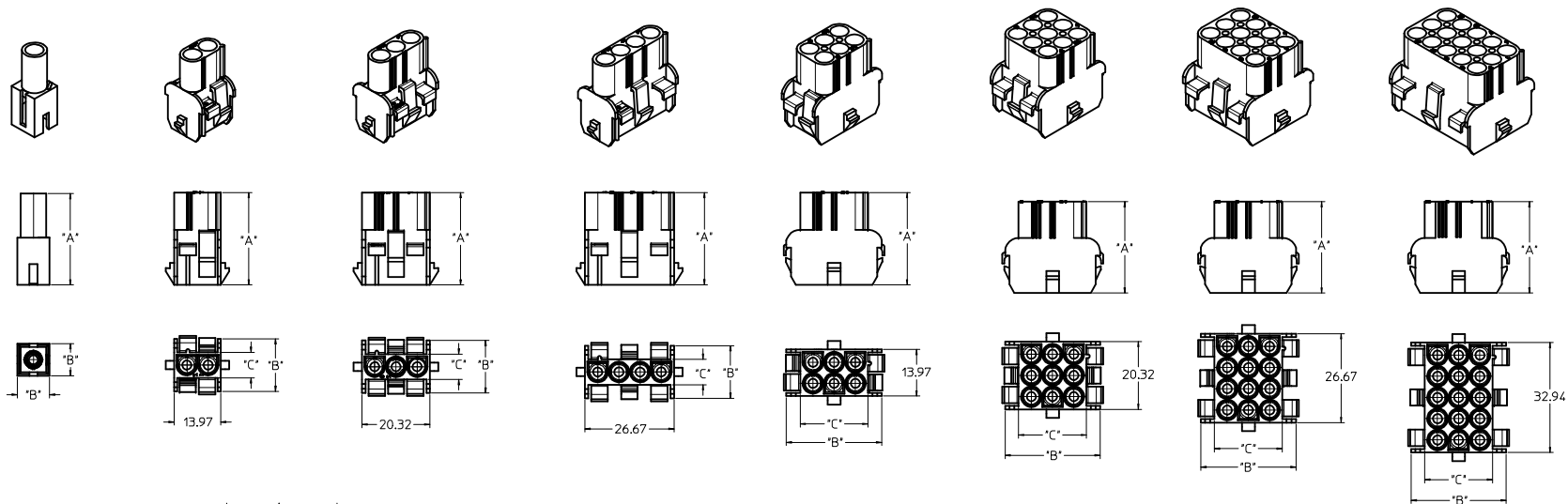
NOTES:

- MATERIAL CODE
D= NYLON, UL94 V-2
COLOUR : NATURAL
GLOW WIRE COMPATIBLE WITH CTI OF 325 VOLTS, ACCORDING TO IEC 60335-4TH EDITION
- UNLESS OTHERWISE INDICATED, DIMENSIONS ARE FOR REFERENCE ONLY
- CAP HOUSINGS MATE WITH:
- PLUG HOUSINGS, 2.13 DIA.SERIES 36643 (SD-36643-009)
- HOUSINGS DESIGNED TO BE USED WITH TERMINALS:
- PINS, 2.13 DIA. SERIES 42023
- SOCKETS, 2.13 DIA. SERIES 42024
- CONTACTS ARE ON 6.35 GRID CENTERLINE SPACING
- PANEL TO BE PUNCHED SO THAT THE HOUSING ENTERS THE PANEL OPPOSITE THE SIDE WITH THE BURR (I.E. OPPOSITE THE BREAK SIDE)
- PRODUCT SPECIFICATION PS-42022-0001 APPLIES

WIPES UPDATED EC NO. 2006-005 2010/08/28 CHANDRASEKHAR 2010/08/28 APPROVED BY: 2011/09/07 APPROVED BY: 2011/09/07	QUALITY SYMBOLS ∇=0 ∇=0 ∇=0	GENERAL TOLERANCES (UNLESS SPECIFIED) mm INCH 4 PLACES ± --- ± --- 3 PLACES ± --- ± --- 2 PLACES ± 0.25 ± --- 1 PLACE ± 0.36 ± --- 0 PLACE ± --- ± --- ANGULAR ± ---° DRAFT WHERE APPLICABLE MUST REMAIN WITHIN DIMENSIONS	DIMENSION STYLE MM ONLY	SCALE 1:1	DESIGN UNITS METRIC	<input checked="" type="checkbox"/> THIRD ANGLE PROJECTION	
			DESCRIPTION HOUSING, CAP 2.13 DIA. SERIES	DRAWN BY MRAMAKRISHNA	DATE 2013/01/31	TITLE HOUSING, CAP 2.13 DIA. SERIES	APPROVED BY KPRASAD
INCORPORATED AND SHOULD NOT BE USED WITHOUT WRITTEN PERMISSION						DOCUMENT NO. SD-36644-009	SHEET NO. 1 OF 2

PART NO.	CIRCUIT SIZE	MATERIAL (SEE NOTE 1)	DIM. "A"	DIM. "B"	DIM. "C"
366440001	1	D	27.70	9.65	----
366440002	2	D	27.70	15.75	7.62
366440003	3	D	27.70	15.75	7.62
366440004	4	D	27.70	15.75	7.62
366440010	5	D	27.70	15.75	7.62
366440005	6	D	27.70	28.45	20.32
366440006	9	D	27.70	28.45	20.32
366440007	12	D	27.70	28.45	20.32
366440008	15	D	27.70	28.45	20.32

GENERAL TOL REVISED EC NO: 12018-0003 DRWNGS: 2017/08/30 CHKD: SAGARAVENKA 2017/08/30 APPR: KPRASAD 2017/09/07	DESCRIPTION REV	QUALITY SYMBOLS	GENERAL TOLERANCES (UNLESS SPECIFIED)		DIMENSION STYLE MM ONLY		SCALE 1:1	DESIGN UNITS METRIC	THIRD ANGLE PROJECTION	
		▽=0	4 PLACES ±----	mm	INCH	DRAWN BY	DATE	TITLE HOUSING, CAP 2.13 DIA. SERIES		
		▽=0	3 PLACES ±----	±----	±----	MRAMAKRI SHNA	2013/01/31			
		▽=0	2 PLACES ±0.25	±----	±----	CHECKED BY	DATE	molex DOCUMENT NO. SD-36644-009		
▽=0	1 PLACE ±0.36	±----	±----	APPROVED BY	DATE					
ANGULAR ±----°			DRAFT WHERE APPLICABLE MUST REMAIN WITHIN DIMENSIONS		MATERIAL NO.	DATE	SHEET NO. 2 OF 2			
SIZE A2			THIS DRAWING CONTAINS INFORMATION THAT IS PROPRIETARY TO MOLEX INCORPORATED AND SHOULD NOT BE USED WITHOUT WRITTEN PERMISSION							



RECOMMENDED PANEL CUTOUT

PANEL THICKNESS: 0.76-2.29
(SEE NOTE 6)

CIRCUIT SIZE	DIMENSIONS				
	A±0.12	B±0.12	C±0.25	D±0.25	E±0.25
2	14.35	13.46	8.64	2.41	6.35
3	20.70	13.46	8.64	2.41	6.35
4	27.05	13.46	8.64	2.41	6.35
6	14.35	26.16	12.19	6.99	6.35
8	52.45	13.46	8.64	2.41	6.35
9	20.70	26.16	12.19	6.99	6.35
12	27.05	26.16	12.19	6.99	8.89
15	33.40	26.16	12.19	6.99	8.89

▲ - CIRCUIT #1 LOCATION WHEN USING POLARIZING KEY OPTION WITH 2, 3, 4 AND 8 CIRCUIT HOUSINGS.

● - OPTION WITH 6, 9, 12 AND 15 CIRCUIT HOUSINGS.

NOTES:

1) MATERIAL CODES:

- *A* = PA6/6, V-2
COLOUR: NATURAL-TRANSLUCENT
- *C* = PA66/6, V-0
COLOUR: NATURAL-OPAQUE
- *E* = NYLON PA66, 94V-2
COLOUR: BLACK (ZYTEL 101F)

2) UNLESS OTHERWISE INDICATED, DIMENSIONS ARE FOR REFERENCE ONLY.

3) CAP HOUSINGS MATE WITH :
- PLUG HOUSINGS, 2.13 DIA. SERIES: (42021-***)
(42021-***)

4) HOUSINGS DESIGNED TO BE USED WITH TERMINALS:
- PINS, 2.13 DIA. SERIES: (42023-****)
- SOCKETS, 2.13 DIA. SERIES: (42024-****)

5) CONTACTS ARE ON 6.35 GRID CENTERLINE SPACING.

6) PANEL TO BE PUNCHED SO THAT THE HOUSING ENTERS THE PANEL OPPOSITE THE SIDE WITH THE BURR (I.E. OPPOSITE THE BREAK SIDE).

7) PRODUCT SPECIFICATION PS-42022-0001 APPLIES.

8) REFER DOCUMENT NO SD-36644-009 FOR GLOW WIRE COMPATIBLE PART NUMBERS.

REVIEWS UPDATED EC NO. Z096-0005 IFC NO. Z096-0005 IFC NO. Z096-0005 APPROVED BY: 2017/09/07 APPROVED BY: 2017/09/07	QUALITY SYMBOLS	GENERAL TOLERANCES (UNLESS SPECIFIED)	DIMENSION STYLE	SCALE	DESIGN UNITS	THIRD ANGLE PROJECTION	
	▽=0	mm INCH	MM ONLY	2:1	METRIC		
	▽=0	4 PLACES ± --- ± --- 3 PLACES ± --- ± --- 2 PLACES ± 0.25 ± --- 1 PLACE ± 0.36 ± --- 0 PLACE ± --- ± ---	DRAWN BY: RY DATE: 87/11/15 CHECKED BY: GWF DATE: 87/11/15 APPROVED BY: GWF DATE: 87/11/15	TITLE	HOUSING CAP .084/(2.13) DIA. SERIES		
	▽=0	ANGULAR ± --- ° DRAFT WHERE APPLICABLE MUST REMAIN WITHIN DIMENSIONS	MATERIAL NO. SEE SHEET 2 DOCUMENT NO. SD-42022-***	SHEET NO. 1 OF 2		molex	

PART NO	CIRCUIT SIZE	MATERIAL (SEE NOTE 1)	DIM "A"	DIM "B"	DIM "C"
050-84-2010	1	A	27.70	9.65	---
050-84-2012	1	C			
366480021	1	E			
050-84-2020	2	A	27.70	15.75	7.62
050-84-2022	2	C			
366480022	2	E			
050-84-2030	3	A	27.70	15.75	7.62
050-84-2032	3	C			
366480023	3	E			
050-84-2040	4	A	27.70	15.75	7.62
050-84-2042	4	C			
366480024	4	E			
050-84-2060	6	A	27.70	28.45	20.32
050-84-2062	6	C			
366480025	6	E			
050-84-2090	9	A	27.70	28.45	20.32
050-84-2092	9	C			
366480026	9	E			
050-84-2120	12	A	27.70	28.45	20.32
050-84-2122	12	C			
366480027	12	E			
050-84-2150	15	A	27.70	28.45	20.32
050-84-2152	15	C			
366480028	15	E			

SEE SHEET 1 EC:IND:2096-0003 ITM:CHICAGO/ARIZONA/2017/08/02 APPROVED: 2017/09/07	QUALITY SYMBOLS	GENERAL TOLERANCES (UNLESS SPECIFIED)	DIMENSION STYLE	SCALE	DESIGN UNITS	THIRD ANGLE PROJECTION
	▽=0	mm INCH	MM ONLY		METRIC	
	▽=0	4 PLACES ± --- ± ---	DRAWN BY DATE			
	▽=0	3 PLACES ± --- ± ---	RV 87/11/15			
	2 PLACES ± 0.25 ± ---	CHECKED BY DATE				TITLE
	1 PLACE ± 0.36 ± ---	GW 87/11/15				HOUSING CAP
	0 PLACE ± --- ± ---	APPROVED BY DATE				.084/(2.13) DIA. SERIES
	ANGULAR ± --- °	GW 87/11/15				molex
	DRAFT WHERE APPLICABLE MUST REMAIN WITHIN DIMENSIONS	MATERIAL NO. ()				DOCUMENT NO. SD-42022-***
		SEE CHART				SHEET NO. 2 OF 2
		SIZE 1 THIS DRAWING CONTAINS INFORMATION THAT IS PROPRIETARY TO MOLEX INCORPORATED AND SHOULD NOT BE USED WITHOUT WRITTEN PERMISSION				