

RECOMMENDED HOLE LAYOUT FOR .070/(1.78)MAX. THICK P.C.BOARD

(SCALE: 2X)

| CIRCUIT SIZE | DIM. "A" | DIM. "B" | DIM. "C" | DIM. "D" | DIM. "E" |
|--------------|-------------|-------------|---------------|---------------|---------------|
| 4 | .17 (4.2) | .38 (9.6) | .535 (13.60) | .590 (15.00) | .685 (17.40) |
| 6 | .33 (8.4) | .54 (13.8) | .701 (17.80) | .756 (19.20) | .850 (21.60) |
| 10 | .66 (16.8) | .87 (22.2) | 1.031 (26.20) | 1.087 (27.60) | 1.181 (30.00) |
| 12 | .83 (21.0) | 1.04 (26.4) | 1.187 (30.40) | 1.252 (31.80) | 1.346 (34.20) |
| 14 | .99 (25.2) | 1.20 (30.6) | 1.362 (34.60) | 1.417 (36.00) | 1.512 (38.40) |
| 16 | 1.16 (29.4) | 1.37 (34.8) | 1.528 (38.80) | 1.583 (40.20) | 1.677 (42.60) |
| 18 | 1.32 (33.6) | 1.54 (39.0) | 1.693 (43.00) | 1.748 (44.40) | 1.843 (46.80) |
| 24 | 1.82 (46.2) | 2.03 (51.6) | 2.189 (55.60) | 2.244 (57.00) | 2.339 (59.40) |

LEGEND

46011 - * * 0 *

BASE NUMBER

CIRCUIT SIZE

HOUSING MATERIAL & PLATING

- 0 = V-2 / TIN
- 1 = V-2 / GOLD
- 2 = V-0 / TIN
- 3 = V-0 / GOLD

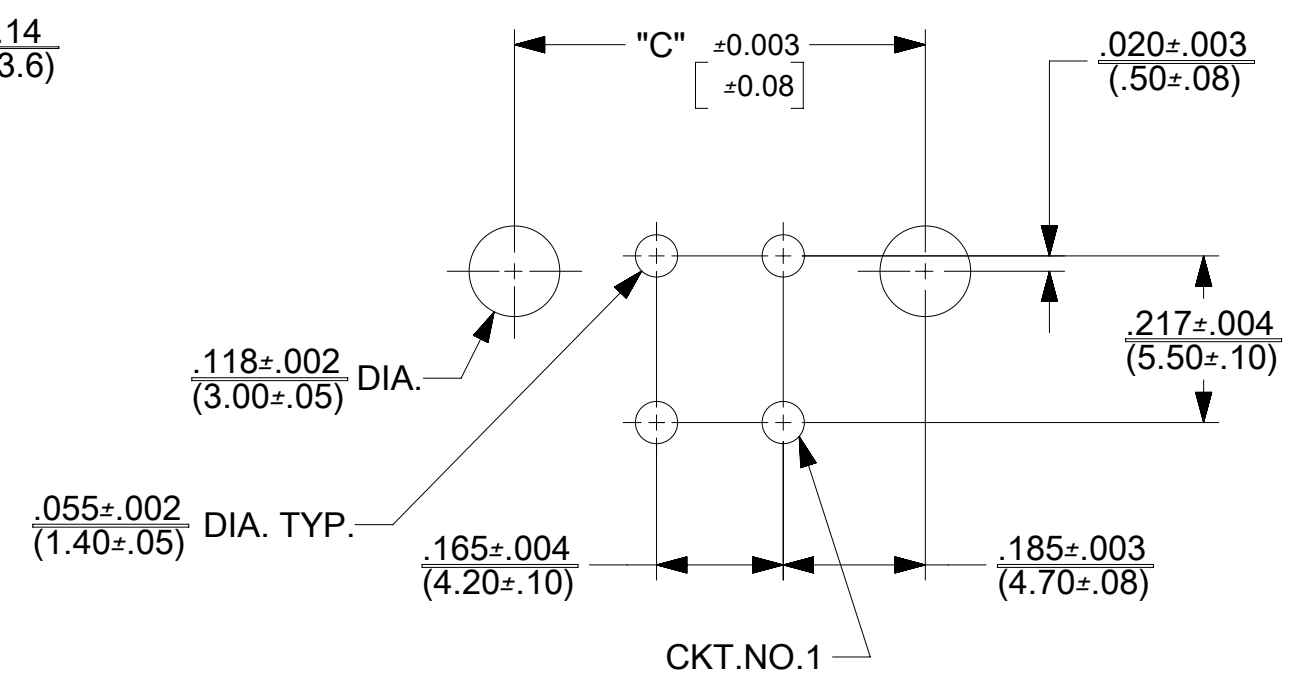
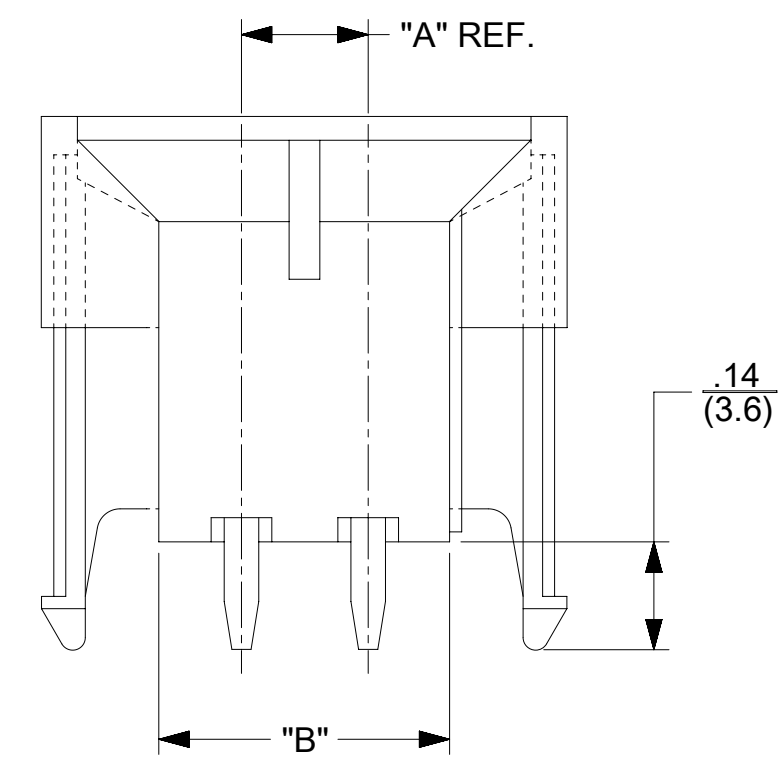
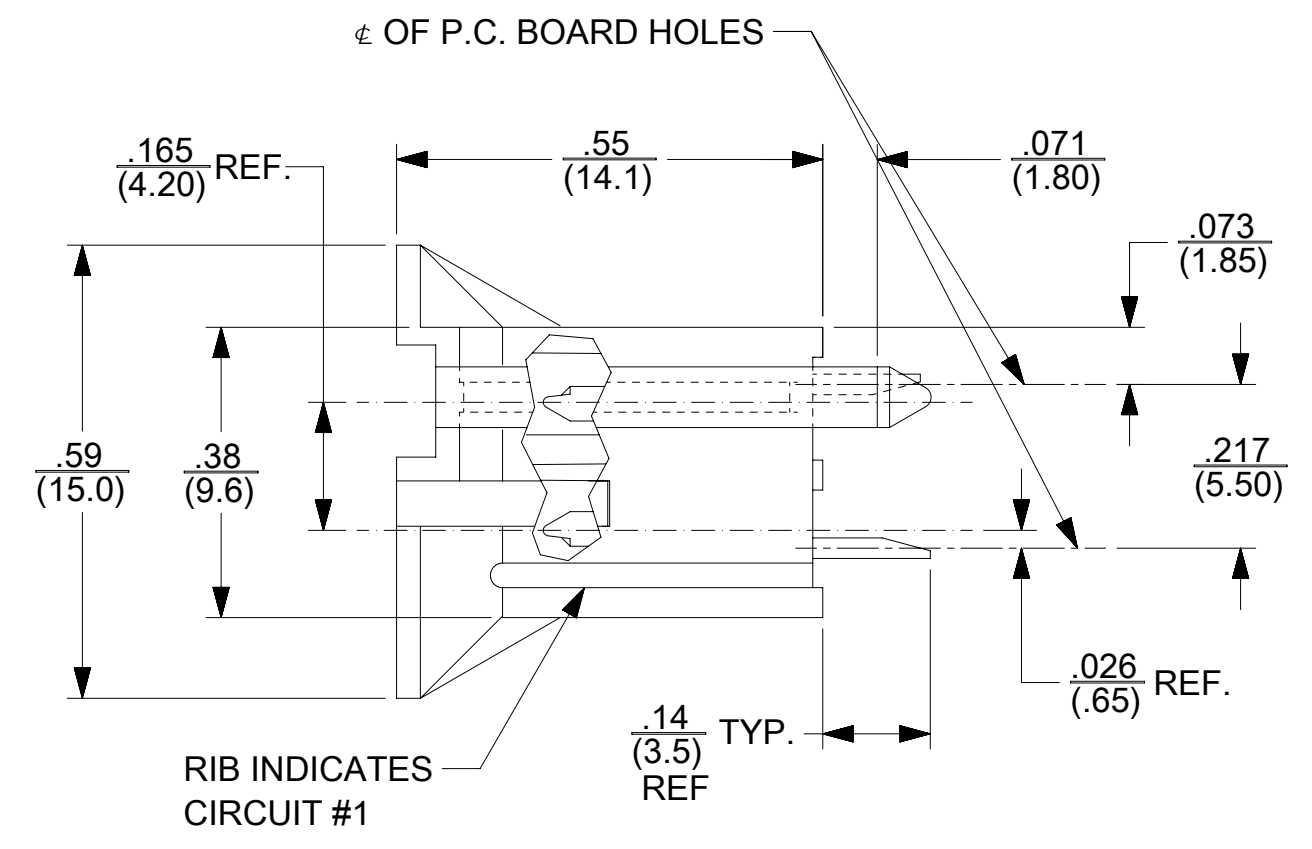
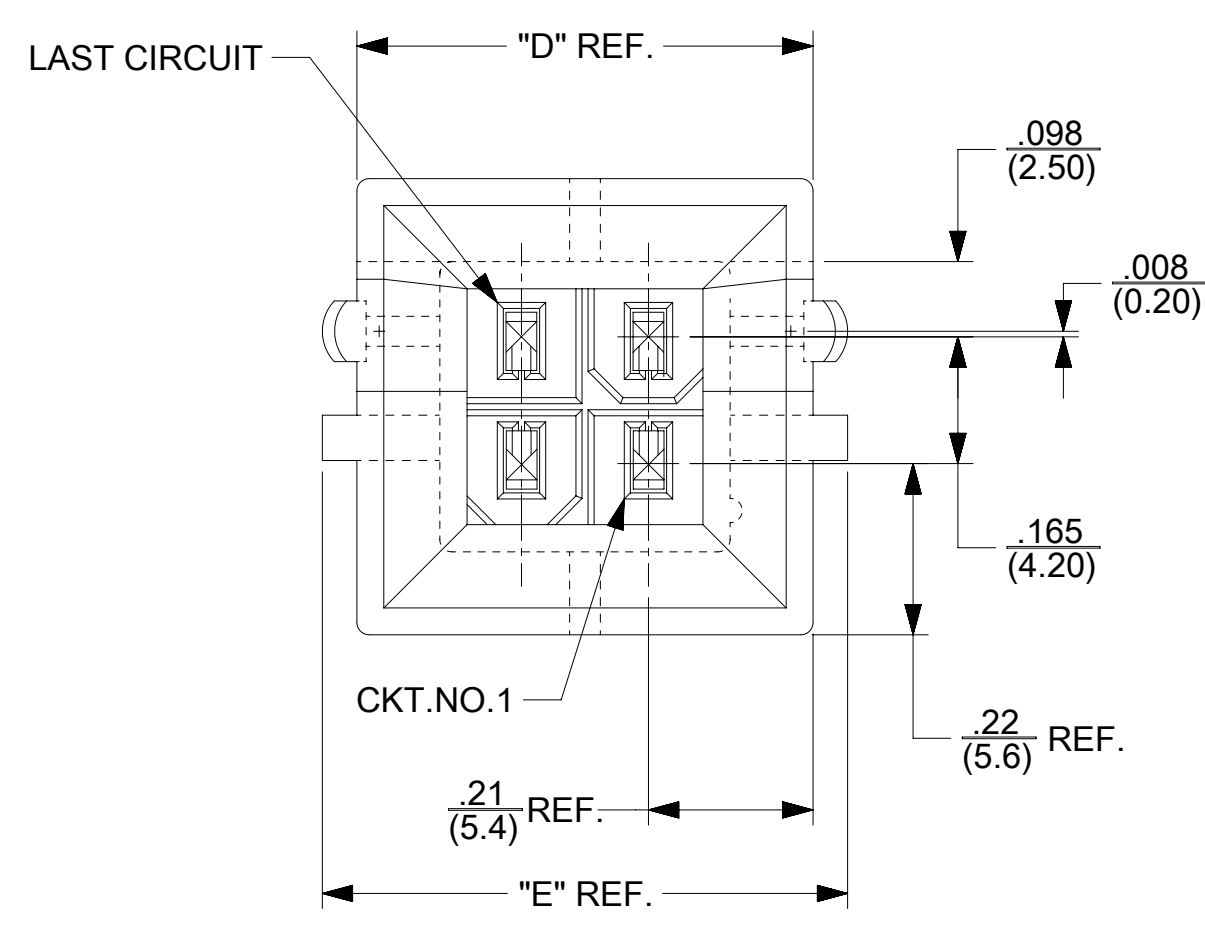
NOTES:

- 1) HOUSING MATERIAL & PLATING:
 0 = NYLON 6/6, UNFILLED UL 94V-2, COLOR: NATURAL, MATTE TIN PLATING
 1 = NYLON 6/6, UNFILLED UL 94V-2, COLOR: NATURAL, SELECT GOLD PLATING
 2 = NYLON 6/6, UNFILLED UL 94V-0, COLOR: NATURAL, MATTE TIN PLATING
 3 = NYLON 6/6, UNFILLED UL 94V-0, COLOR: NATURAL, SELECT GOLD PLATING
 TERMINAL MATERIAL : COPPER ALLOY
- 2) TERMINAL PLATING:
 ("TIN") .000100/(.00254) MIN. MATTE TIN OVER
 .000050/(.00127) MIN. NICKEL OVERALL.
 ("GOLD") .000030/(.00076) MIN. SELECT GOLD & .000100/(.00254) MIN. MATTE TIN OVER .000050/(.00127) MIN. NICKEL OVERALL.
- 3) PRODUCT SPECIFICATION: PS-45750-001
- 4) PACKAGING SPECIFICATION: PK-42440-001.
- 5) 6-24 CKT. PARTS MATE WITH MINI-FIT JR. RECEPTACLE 5557, VERTICAL RECEPTACLE HEADER 46010 & BMI RECEPTACLES 42474, AND 44516. 4 CKT PART MATES WITH 42474,44516 AND 46010 ONLY.
- 6) RIB LOCATION IS DETERMINED BY MOLD DESIGN FOR MANUFACTURING EASE AND THE LOCATION DOES NOT AFFECT PART FUNCTION OR PERFORMANCE. LOCATION OF RIBS MAY VARY ON PARTS WITHIN MANUFACTURING LOT OR SHIPMENT. THIS DRAWING SHOWS TYPICAL RIB LOCATIONS.
- 7) CONNECTOR ASSEMBLIES ARE NOT TO BE MATED OR UNMATED WHILE CIRCUITS ARE LIVE.
- 8) PART ALLOWS FOR UP .100/(2.54) MISALIGNMENT WITH MATING RECEPTACLE IN ANY DIRECTION. SEE MATING CONNECTOR DRAWINGS FOR SPECIFIC ALLOWANCES.
- 9) THIS PART CONFORMS TO CLASS B REQUIREMENTS OF COSMETIC SPECIFICATION PS-45499-002.
- 10) CONNECTOR IS NOT DESIGNED FOR CURRENT SHARING.
- 11) 12 CIRCUIT PARTS HAVE A SLOT BETWEEN CIRCUITS 7 AND 8.

| | | | | | | | | | |
|-----------------|---|------------|---------------------------------------|--|-----------------|------------|---|--|--|
| QUALITY SYMBOLS | THIS DRAWING CONTAINS INFORMATION THAT IS PROPRIETARY TO MOLEX INCORPORATED AND SHOULD NOT BE USED WITHOUT WRITTEN PERMISSION | | GENERAL TOLERANCES (UNLESS SPECIFIED) | | DIMENSION UNITS | SCALE | | | |
| ▽ = 0 | ADD 46011-5001 | 2015/09/08 | ANGULAR TOL ± 1/2 ° | | IN/MM | 4:1 | | | |
| ▽ = 0 | EC NO: 101245 | 2015/10/07 | 4 PLACES ± --- | | DRWN BY | DATE | PRODUCT CUSTOMER DRAWING | | |
| ▽ = 0 | DRWN: NIK02 | 2015/10/07 | 3 PLACES ± --- | | TGREGORI | 2006/05/19 | | | |
| ▽ = 0 | CHKD: FSMITH | | 2 PLACES ± 0.25 | | CHKD BY | DATE | DOCUMENT NUMBER: SD-46011-001 DOC TYPE: PSD DOC PART: 000 SHEET NUMBER: 1 OF 2 | | |
| ▽ = 0 | REV: APPR: FSMITH | | 1 PLACE ± 0.38 | | JCOMERCI | DATE | | | |
| □ = 0 | | | 0 PLACES ± | | JCOMERCI | DATE | DRAFT WHERE APPLICABLE MUST REMAIN WITHIN DIMENSIONS | | |
| ▽ = 0 | | | | | | | | | |

| PART NUMBER | CIRCUIT SIZE | U.L. RATING | PLATING |
|-------------|--------------|-------------|---------|
| 46011-0400 | 4 | V-2 | TIN |
| 46011-0401 | 4 | V-2 | GOLD |
| 46011-0402 | 4 | V-0 | TIN |
| 46011-0403 | 4 | V-0 | GOLD |
| 46011-0600 | 6 | V-2 | TIN |
| 46011-0601 | 6 | V-2 | GOLD |
| 46011-0602 | 6 | V-0 | TIN |
| 46011-0603 | 6 | V-0 | GOLD |
| 46011-1000 | 10 | V-2 | TIN |
| 46011-1001 | 10 | V-2 | GOLD |
| 46011-1002 | 10 | V-0 | TIN |
| 46011-1003 | 10 | V-0 | GOLD |
| 46011-1200 | 12 | V-2 | TIN |
| 46011-1201 | 12 | V-2 | GOLD |
| 46011-1202 | 12 | V-0 | TIN |
| 46011-1203 | 12 | V-0 | GOLD |
| 46011-1400 | 14 | V-2 | TIN |
| 46011-1401 | 14 | V-2 | GOLD |
| 46011-1402 | 14 | V-0 | TIN |
| 46011-1403 | 14 | V-0 | GOLD |
| 46011-1600 | 16 | V-2 | TIN |
| 46011-1601 | 16 | V-2 | GOLD |
| 46011-1602 | 16 | V-0 | TIN |
| 46011-1603 | 16 | V-0 | GOLD |
| 46011-1800 | 18 | V-2 | TIN |
| 46011-1801 | 18 | V-2 | GOLD |
| 46011-1802 | 18 | V-0 | TIN |
| 46011-1803 | 18 | V-0 | GOLD |
| 46011-2400 | 24 | V-2 | TIN |
| 46011-2401 | 24 | V-2 | GOLD |
| 46011-2402 | 24 | V-0 | TIN |
| 46011-2403 | 24 | V-0 | GOLD |

| PART NUMBERS WITH VOIDED CIRCUITS | | | | |
|-----------------------------------|--------------|-------------|---------|-----------------|
| PART NUMBER | CIRCUIT SIZE | U.L. RATING | PLATING | VOIDED CIRCUITS |
| 46011-5001 | 14 | V-0 | GOLD | 4,11 |



RECOMMENDED HOLE LAYOUT FOR .070(1.78) MAX. THICK P.C. BOARD

| | | | | | | | | | |
|---|---|--|---------------------------------------|--|---------------------------------|---------------------------|------------------------|--|---------------------------------|
| QUALITY SYMBOLS ▽ = 0 ▽ = 0 ▽ = 0 ▼ = 0 ▽ = 0 □ = 0 ■ = 0 ▽ = 0 | THIS DRAWING CONTAINS INFORMATION THAT IS PROPRIETARY TO MOLEX INCORPORATED AND SHOULD NOT BE USED WITHOUT WRITTEN PERMISSION | | | | DIMENSION UNITS IN/MM | SCALE 4:1 | | | |
| | SEE SHEET 1 EC NO: 101245 DRWN: NKN02 CHKD: FSMITH REV APPR: FSMITH | 2015/09/08 2015/10/07 2015/10/07 | GENERAL TOLERANCES (UNLESS SPECIFIED) | | DRWN BY TGREGORI | DATE 2006/05/19 | | MINI-FIT VERTICAL BMI HEADER ASSEMBLY (HCS PLUS SERIES) | |
| | | | ANGULAR TOL ± 1/2 ° | | CHKD BY JCOMERCI | DATE | | | PRODUCT CUSTOMER DRAWING |
| | | | 4 PLACES ± --- | 3 PLACES ± --- | APPR BY JCOMERCI | DATE | | | |
| DRAFT WHERE APPLICABLE MUST REMAIN WITHIN DIMENSIONS | | DRAWING SIZE C | THIRD ANGLE PROJECTION | DOCUMENT NUMBER SD-46011-001 | | | DOC TYPE PSD | DOC PART 000 | SHEET NUMBER 2 OF 2 |