

MATERIALS AND FINISHES

BODY: ZINC ALLOY
PLATED NICKEL

CENTER CONTACT: PHOSPHOR BRONZE
PLATED GOLD

INSULATOR: POLYPROPYLENE

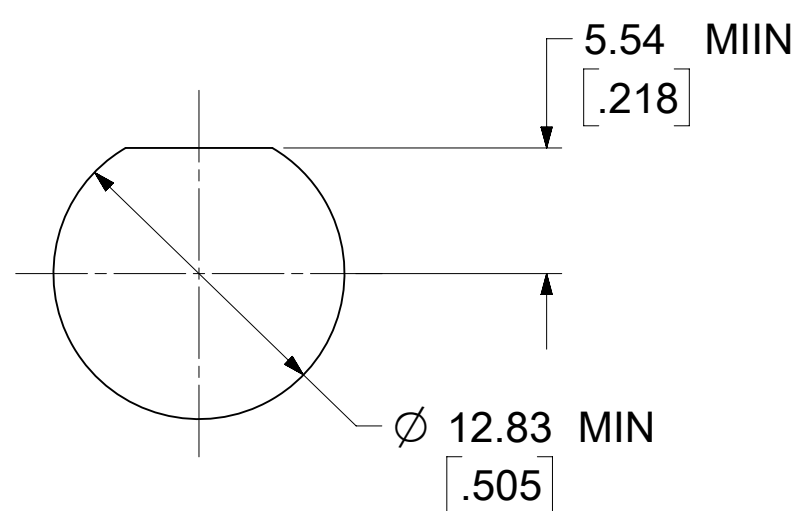
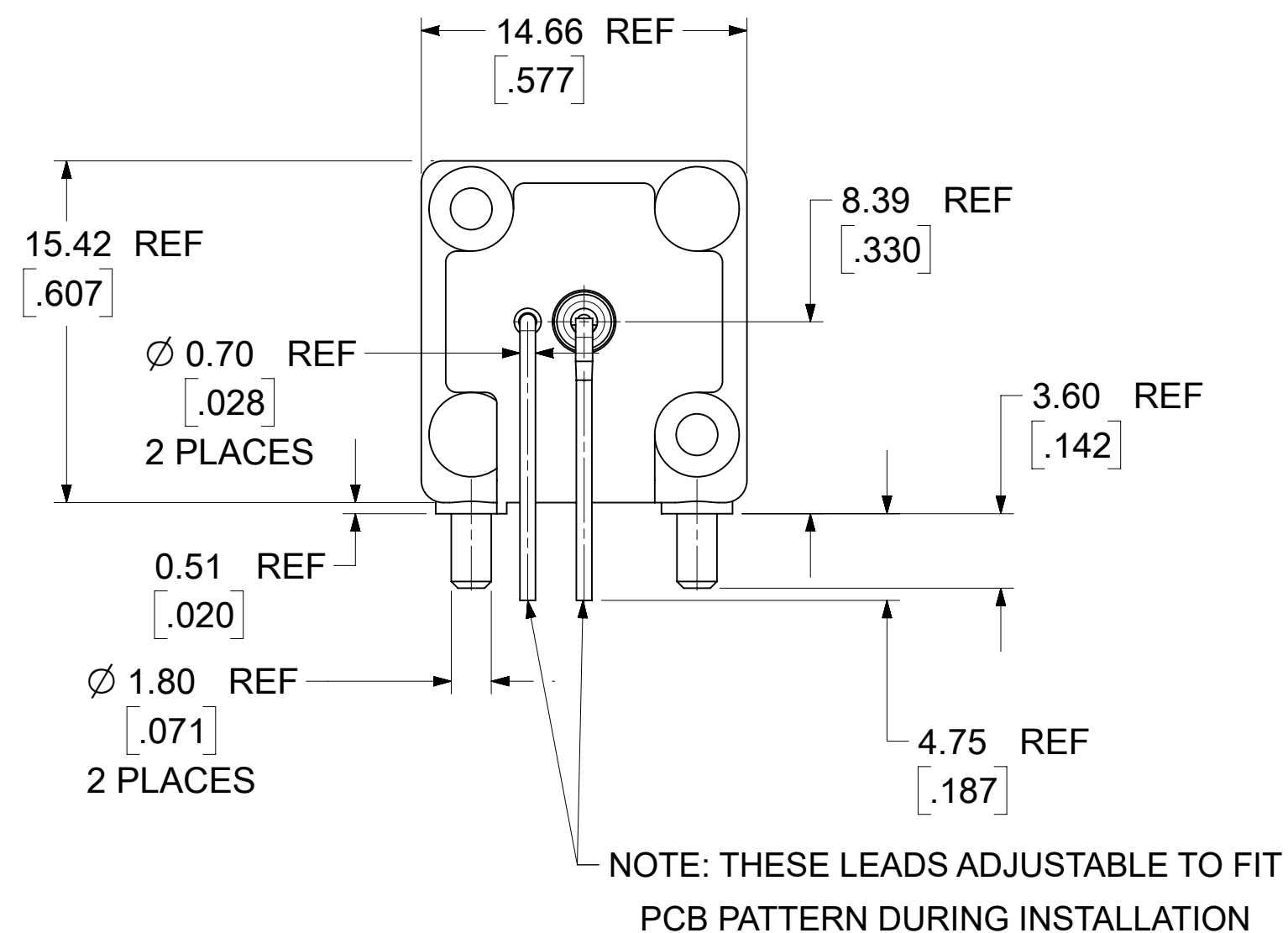
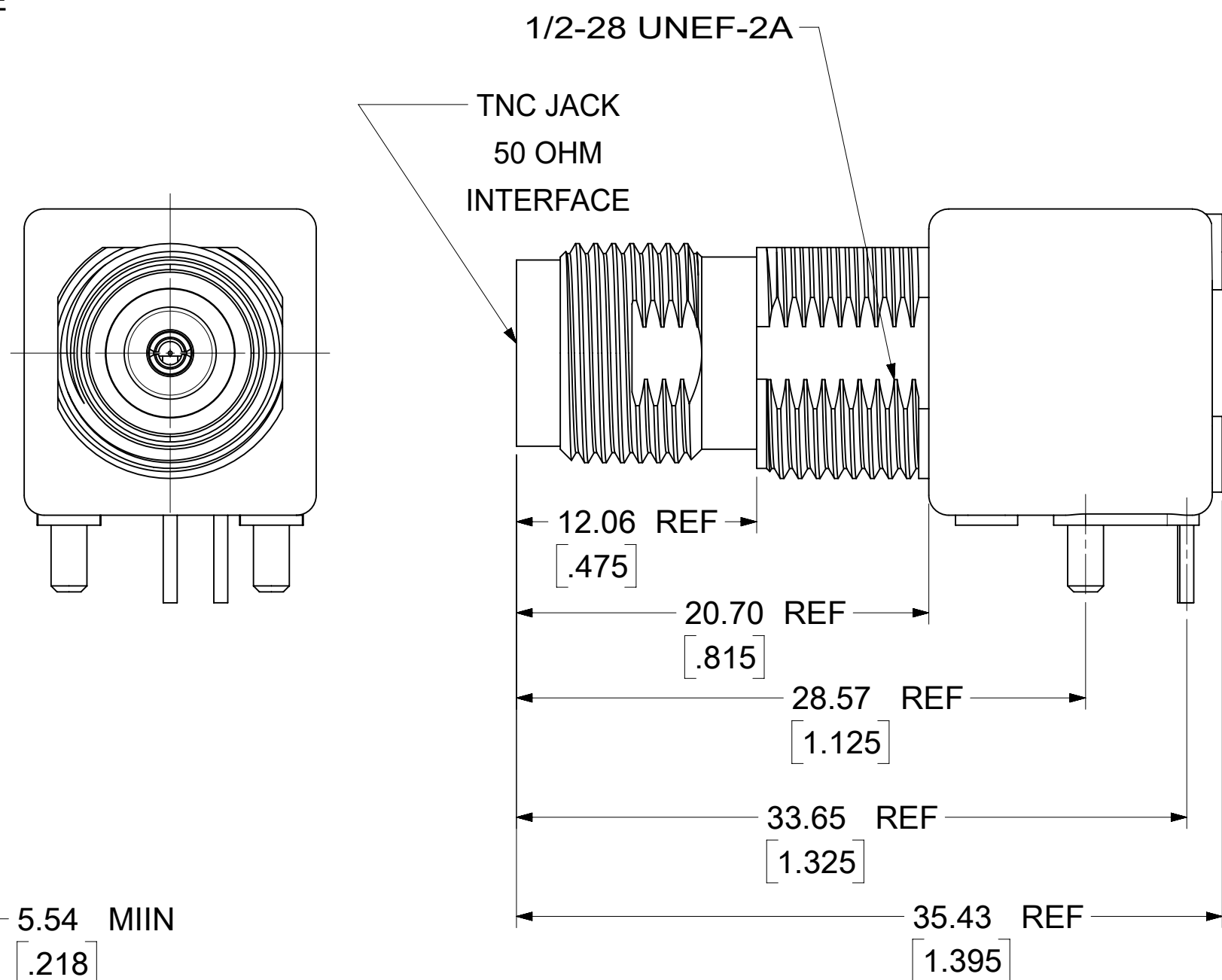
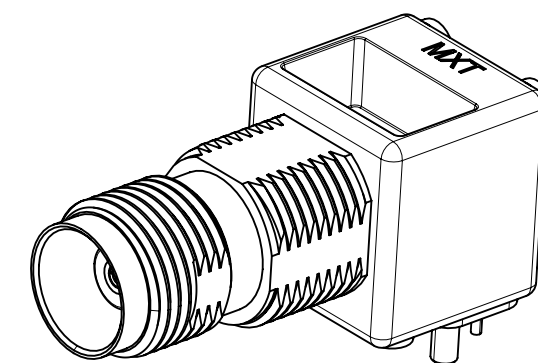
MOUNTING POST: BRASS
PLATED TIN

SOLDER TAIL: STEEL
PLATED TIN

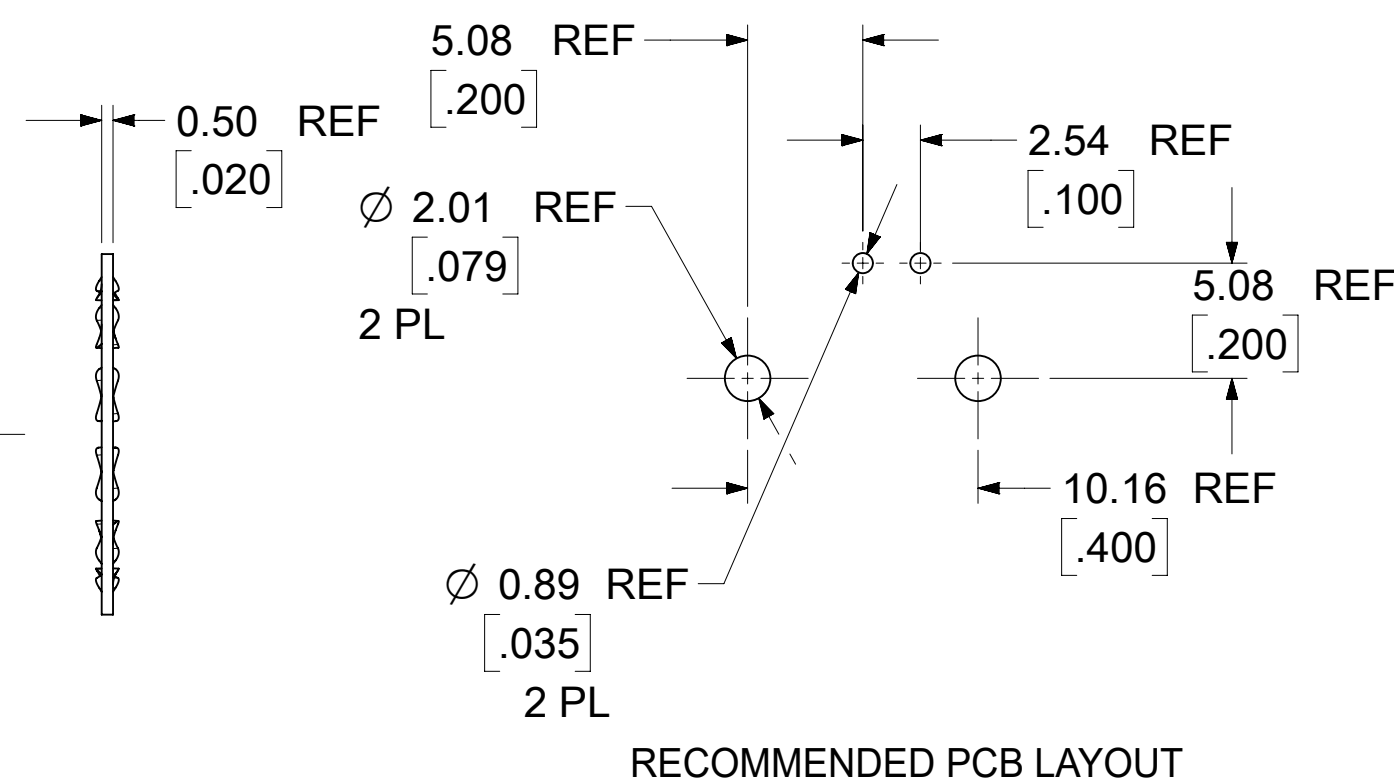
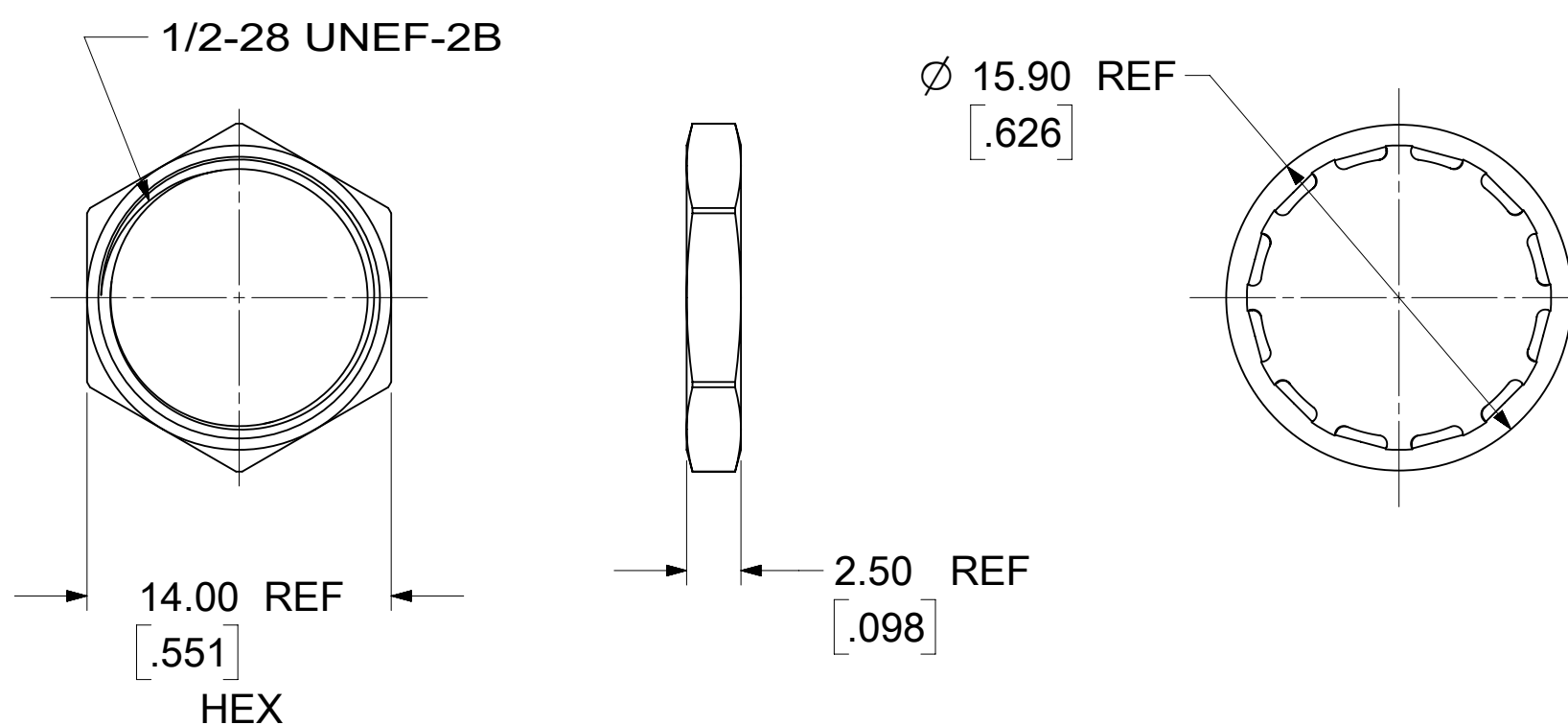
WASHER: PHOSPHOR BRONZE
PLATED NICKEL

JAM NUT: BRASS
PLATED NICKEL

PACKAGING: BY TRAY



RECOMMENDED MOUNTING HOLE
MAXIMUM PANEL THICKNESS: 5.4mm (.213)
RECOMMENDED MOUNTING TORQUE:
1.36 N-M (12 INCH-POUNDS MAX)



PART # 73205-5033

FUNCTIONAL SYMBOLS										THIS DRAWING CONTAINS INFORMATION THAT IS PROPRIETARY TO MOLEX ELECTRONIC TECHNOLOGIES, LLC AND SHOULD NOT BE USED WITHOUT WRITTEN PERMISSION													
DIMENSION UNITS		SCALE		CURRENT REV DESC:																			
MM/INCH		NTS		EWR # 14939-A CHG LOGO POSITION TO TOP SURFACE FROM SIDE SURFACE																			
GENERAL TOLERANCES (UNLESS SPECIFIED)										EC NO: 692635													
ANGULAR TOL ± 2.0°										DRWN: JSU18 2022/01/11													
4 PLACES ±										CHK'D: YCHENG 2022/01/20													
3 PLACES ±										APPR: YCHENG 2022/01/20													
2 PLACES ±										INITIAL REVISION:													
1 PLACE ±										DRWN: JWIENER 2008/09/24													
0 PLACES ±										APPR: JWIENER 2008/09/24													
DRAFT WHERE APPLICABLE MUST REMAIN WITHIN DIMENSIONS										THIRD ANGLE PROJECTION		DRAWING		SERIES		DOCUMENT NUMBER		DOC TYPE		DOC PART		REVISION	
C-SIZE		73205		SD-73205-5033		PSD		001		A3		GENERAL MARKET		1 OF 1									