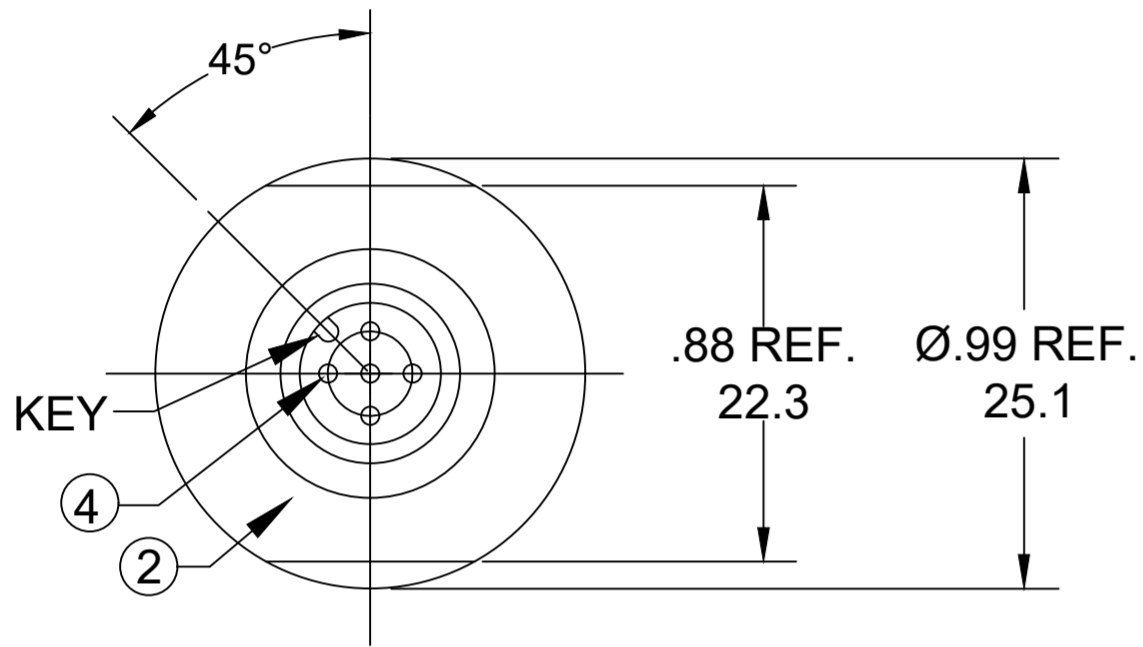
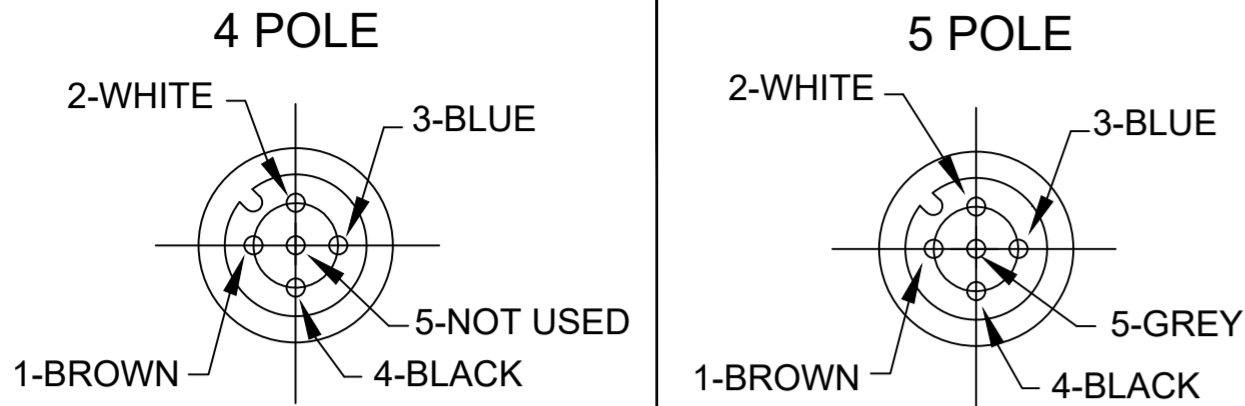
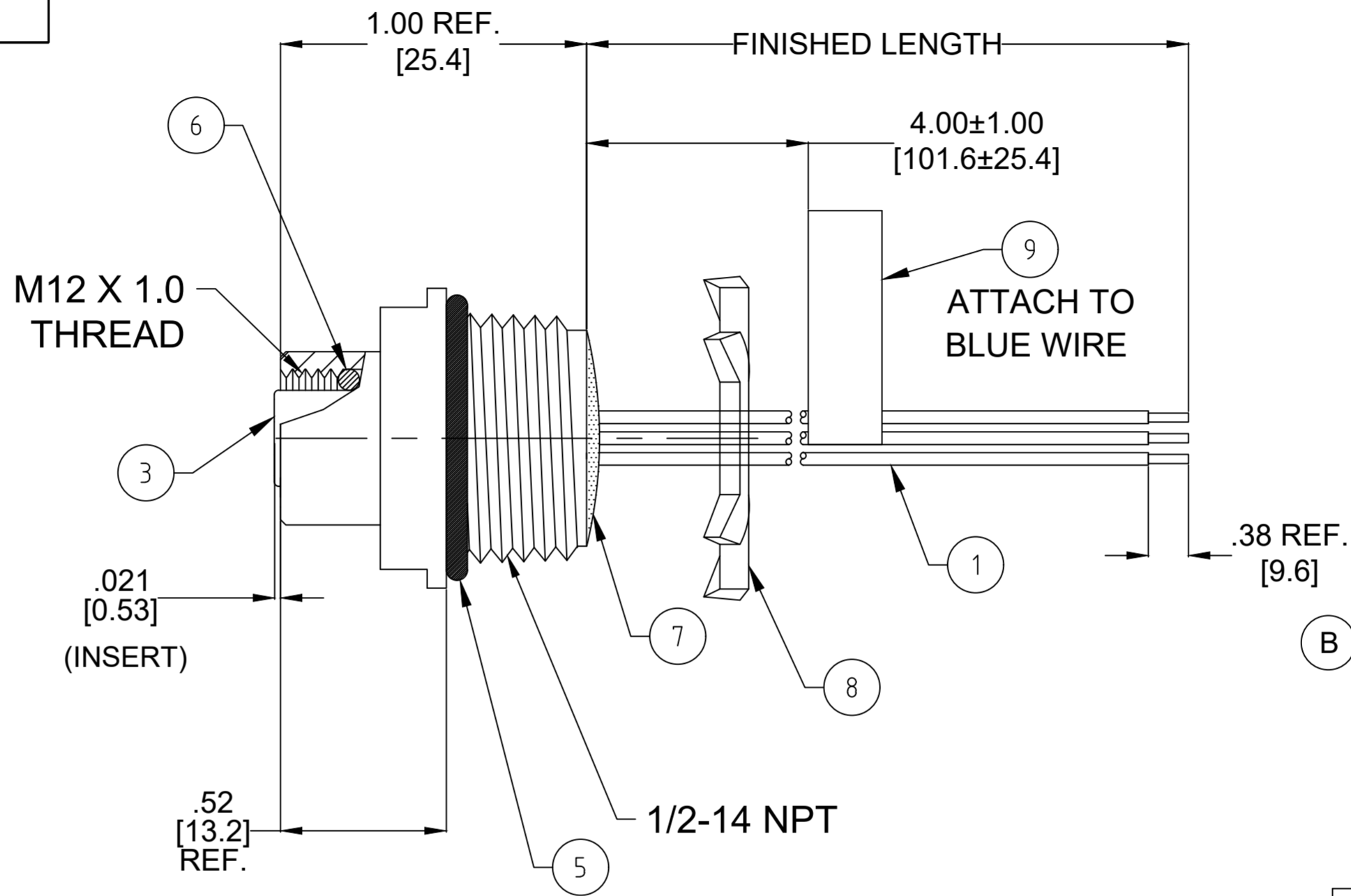


**FRONT VIEW  
FEMALE INSERT CONFIGURATION CHART**

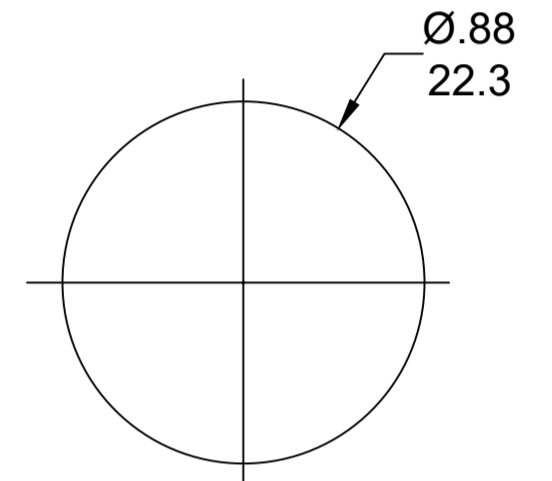


- NOTES:**
1. MATERIAL: AS NOTED
  2. FINISH: AS NOTED
  3. ELECTRICAL:  
VOLTAGE: 4 & 5P 250V  
CURRENT: 4A
  4. TEMP RATING: -20°C TO +105°C
  5. PROTECTION: IP67 (WHEN MATED)
  6. CSA CERTIFIED FILE: LR6837
  7. ALL DIMENSIONS ARE FOR REFERENCE UNLESS TOLERANCED OR NOTED OTHERWISE

SAP P/N #	ENGINEERING P/N	FINISHED LENGTH
1200700168	8R4000A16M005	0.5M [ 1FT 8 IN ]
1200704013	8R5000A16M030	3M [ 9FT 10 IN ]
1200700172	8R4000A16M060	6M [ 19FT 8 IN ]



**KNOCKOUT HOLE**



**CABLE LENGTH TOLERANCES**

<.3M [1FT]:	+19mm-0 [ +.75in-0]
.3 - .9M [1 - 3FT]:	+44.5mm-0 [+1.75in-0]
.9 - 1.8M [3 - 6FT]:	+55.6mm-0 [+2.19in-0]
1.8 - 3.7M [6 - 12FT]:	+88.9mm-0 [+3.50in-0]
3.7 - 7.3M [12 - 24FT]:	+165.1mm-0 [+6.50in-0]
7.3-14.6M [24 - 48FT]:	+317.5mm-0 [+12.50in-0]
14.6 - 30.5M [48-100FT]:	+622.3mm-0 [+24.50in-0]
OVER 30M [100FT]	+2% OF FINISHED LENGTH

**PART NO. LEGEND**

**8R4000A16M005**

POLES (4, 5)      LENGTH:  
M005= 0.5 METER  
M010= 1 METER  
M100= 10 METER

ITEM	COMPONENT	MATERIAL	FINISH
9	LABEL	VINYL	BLACK/YELLOW
8	LOCKNUT	STEEL	ZINC PLATED
7	POTTING MATERIAL	EPOXY	
6	O-RING (MATING)	VITON	RED
5	O-RING (PANEL)	NITRILE	BLACK
4	CONTACT SOCKET	COPPER ALLOY	GOLD OVER NICKEL
3	FEMALE INSERT	NYLON	BLACK
2	SHELL FM M12x1	ZINC DIE CAST	YELLOW
1	WIRE #18	PVC	SEE FACE VIEW

FUNCTIONAL SYMBOLS	THIS DRAWING CONTAINS INFORMATION THAT IS PROPRIETARY TO MOLEX ELECTRONIC TECHNOLOGIES, LLC AND SHOULD NOT BE USED WITHOUT WRITTEN PERMISSION	CURRENT REV DESC: UPDATED BOM, CORRECTED CABLE LENGTH TOLERANCES, CORRECTED STRIPPED WIRE DIM	
	DIMENSION UNITS	SCALE	
DIVISIONAL SYMBOLS	INCH/MM	1:1	
	GENERAL TOLERANCES (UNLESS SPECIFIED)		
	mm	INCH	
	4 PLACES ±----	±----	
	3 PLACES ±----	±----	
	2 PLACES ±----	±----	
	1 PLACE ±----	±----	
	0 PLACES ±----	±----	
	ANGULAR TOL ± ---- °		
	DRAFT WHERE APPLICABLE MUST REMAIN WITHIN DIMENSIONS	THIRD ANGLE PROJECTION	DRAWING C-SIZE
		SERIES 120070	
		MATERIAL NUMBER	CUSTOMER GENERAL MARKET
		DOCUMENT NUMBER SD-120070-043	DOC TYPE/DOC PART REVISION PSD 001 B
			SHEET NUMBER 1 OF 1