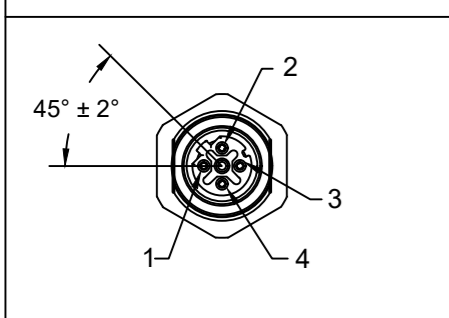


FRONT VIEW-FEMALE

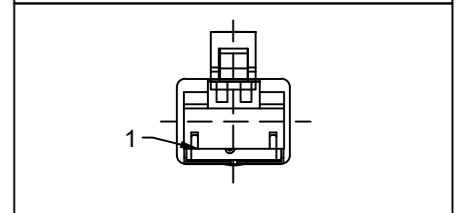


- 1-WHITE/ORANGE
- 2-WHITE/GREEN
- 3-ORANGE
- 4-GREEN

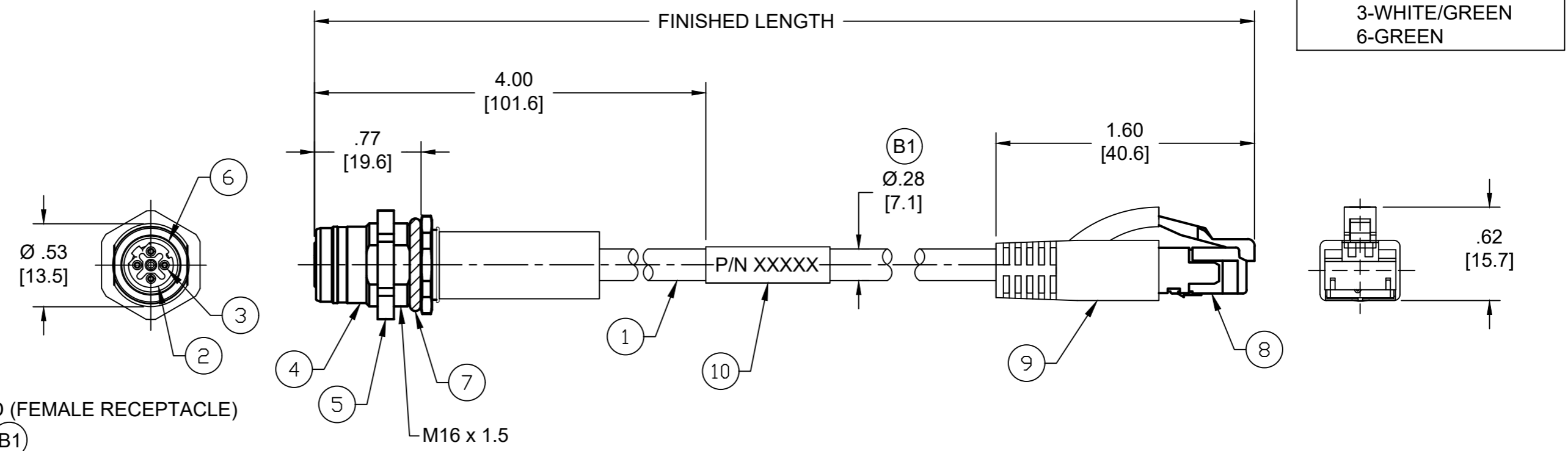
- NOTES:
1. MATERIAL: AS NOTED
 2. FINISH: AS NOTED
 3. ELECTRICAL:
VOLTAGE: 125V AC/DC (B1)
CURRENT: 1.5A
 4. TEMP RATING: -20°TO +75°C (B1)
 5. PROTECTION: IP67 WHEN MATED (FEMALE RECEPTACLE)
 6. UL RECOGNIZED FILE: E200650 (B1)
 7. ALL DIMENSIONS ARE FOR REFERENCE UNLESS TOLERANCED OR NOTED OTHERWISE

MATERIAL NUMBER	ENGINEERING NUMBER	FINISHED LENGTH
1201080348	ERWPAU7006M003	0.3M [1FT]
1201080313	ERWPAU7006M020	2M[6FT 7 IN]
1201080372	ERWPAU7006M050	5M[16FT 5 IN]

FRONT VIEW - MALE RJ45

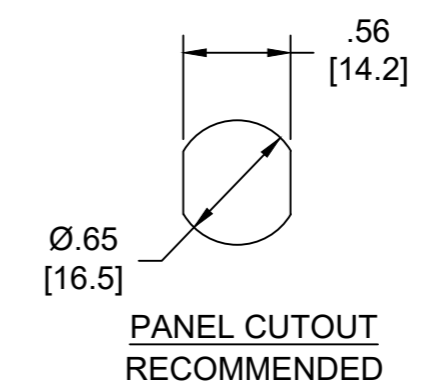


- 1-WHITE/ORANGE
- 2-ORANGE
- 3-WHITE/GREEN
- 6-GREEN



ITEM	DESCRIPTION	MATERIAL	FINISH
10	WRAP LABEL	VINYL	BLACK/WHITE
9	RJ45 BOOT, HOODED	PVC	BLACK
8	RJ45 PLUG	POLYCARBONATE	TRANSPARENT
7	GASKET	FPM	RED
6	O-RING	NITRILE	BLACK
5	PANEL NUT	BRASS	NICKEL PLATED
4	RECEPTACLE SHELL	BRASS	NICKEL PLATED
3	CONTACT SOCKET	COPPER ALLOY	GOLD/NICKEL PLATED
2	FEMALE INSERT	PUR	BLACK
1	CABLE, ETHERNET, 24 AWG	TPE JACKET	BLUE

PART NUMBER LEGEND
ERWPAU7006M003
 ↓
 FINISHED LENGTH
 M003 - 0.3 METER
 M010 - 1 METER
 M200 - 20 METER



(B1)

CABLE LENGTH TOLERANCES

- <.3M [1FT]: +19mm-0 [+ .75in-0]
- .3 - .9M [1 - 3FT]: +44.5mm-0 [+1.75in-0]
- .9 - 1.8M [3 - 6FT]: +55.6mm-0 [+2.19in-0]
- 1.8 - 3.7M [6 - 12FT]: +88.9mm-0 [+3.50in-0]
- 3.7 - 7.3M [12 - 24FT]: +165.1mm-0 [+6.50in-0]
- 7.3-14.6M [24 - 48FT]: +317.5mm-0 [+12.50in-0]
- 14.6 - 30.5M [48-100FT]: +622.3mm-0 [+24.50in-0]
- OVER 30M [100FT] +2% OF FINISHED LENGTH

FUNCTIONAL SYMBOLS	THIS DRAWING CONTAINS INFORMATION THAT IS PROPRIETARY TO MOLEX ELECTRONIC TECHNOLOGIES, LLC AND SHOULD NOT BE USED WITHOUT WRITTEN PERMISSION		CURRENT REV DESC: ADDED BOM LIST, TEMP RATING, UL NUMBER, CABLE DIA, MATERIAL NUMBER & TOL CHART.			
	$F=0$ $E=0$ $P=0$	DIMENSION UNITS: INCH/MM SCALE: NTS GENERAL TOLERANCES (UNLESS SPECIFIED): 4 PLACES ±--- ±--- 3 PLACES ±--- ±--- 2 PLACES ±--- ±--- 1 PLACE ±--- ±--- 0 PLACES ±--- ±--- ANGULAR TOL ± --- °				
DIVISIONAL SYMBOLS	DRAFT WHERE APPLICABLE MUST REMAIN WITHIN DIMENSIONS		THIRD ANGLE PROJECTION	DRAWING: B-SIZE	SERIES: 120108	PRODUCT CUSTOMER DRAWING DOCUMENT NUMBER: SD-120108-055 DOC TYPE: PSD DOC PART: 001 REVISION: B1
MATERIAL NUMBER: SEE CHART			CUSTOMER: GENERAL MARKET		SHEET NUMBER: 1 OF 1	