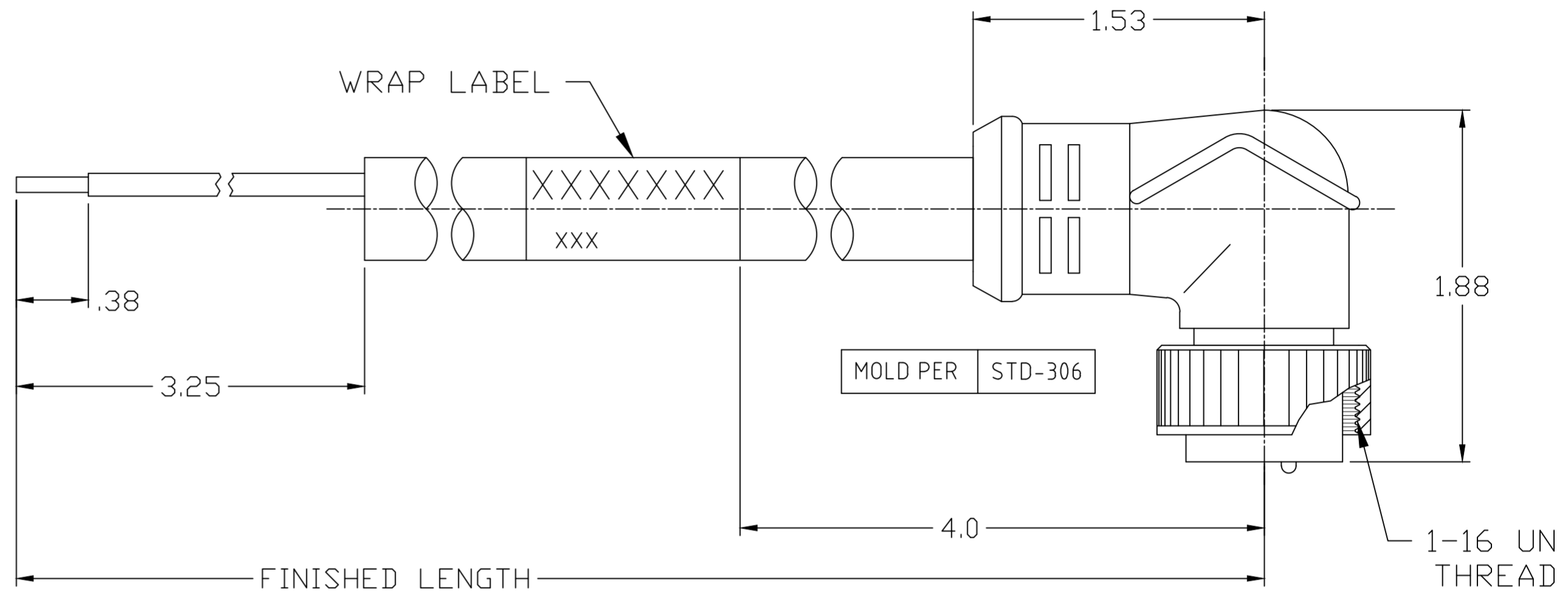


| PART NO. | POLES | ENGINEERING NO. | FINISHED LENGTH |
|------------|-------|-----------------|-----------------|
| 1300070062 | 6 | 206003A01F030 | 3.0FT [0.9M] |
| 1300070128 | 7 | 207003A01F060 | 6.0FT [1.8M] |
| 1300070131 | 7 | 207003A01F120 | 12.0FT [3.7M] |
| 1300070223 | 8 | 208003A01F200 | 20.0FT [6.1M] |

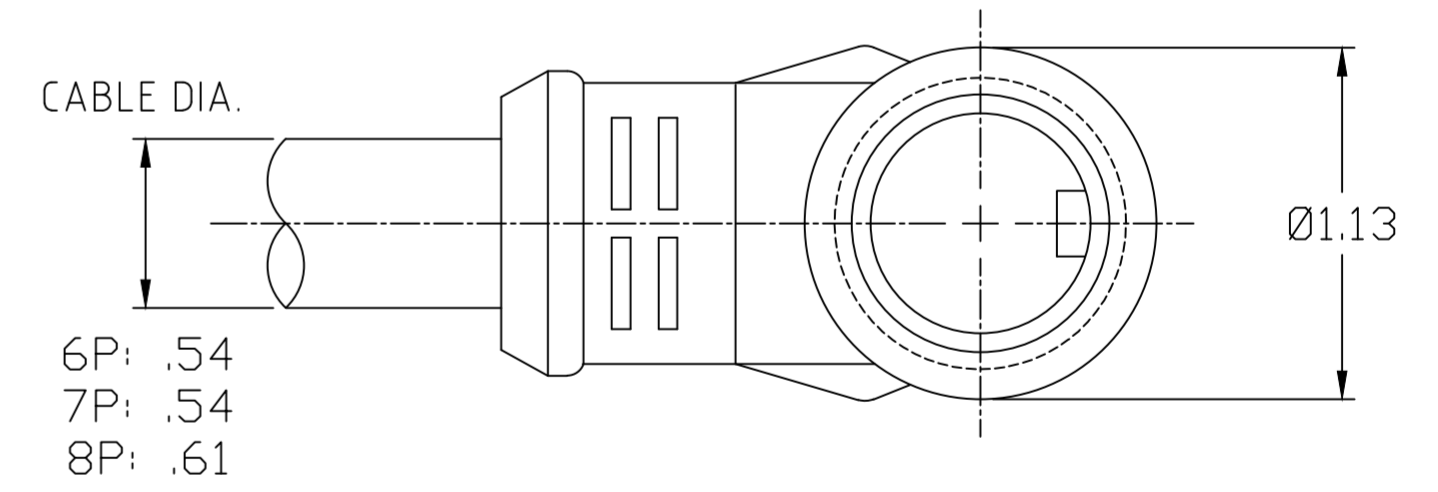
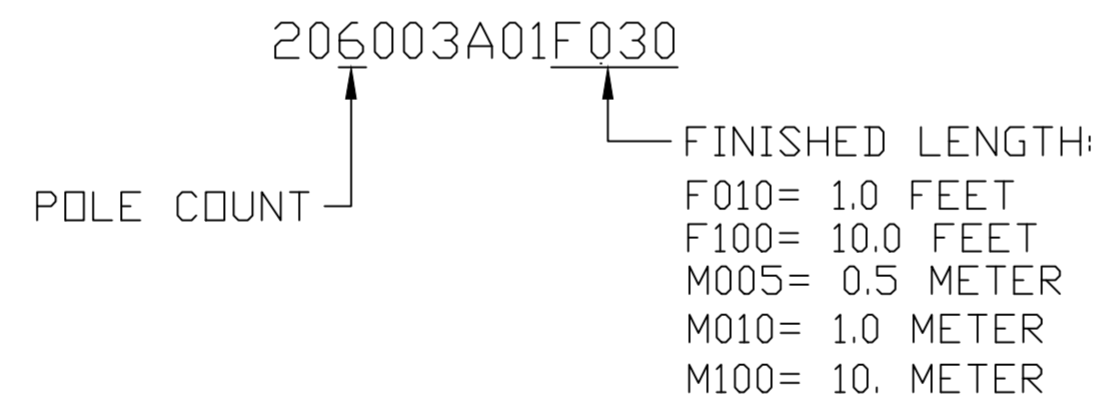
CABLE LENGTH TOLERANCES

>.3M [1FT]: +19mm-0 [+ .75in-0]
 .3 - .9M [1 - 3FT]: +44.5mm-0 [+1.75in-0]
 .9 - 1.8M [3 - 6FT]: +55.6mm-0 [+2.19in-0]
 1.8 - 3.7M [6 - 12FT]: +88.9mm-0 [+3.50in-0]
 3.7 - 7.3M [12 - 24FT]: +165.1mm-0 [+6.50in-0]
 7.3-14.6M [24 - 48FT]: +317.5mm-0 [+12.50in-0]
 14.6 - 30.5M [48-100FT]: +622.3mm-0 [+24.50in-0]
 OVER 30M [100FT] +2% OF FINISHED LENGTH

- NOTES:
- MATERIAL: AS NOTED
 - FINISH: AS NOTED
 - ELECTRICAL:
 VOLTAGE: 6P 400V PER IEC 60664
 7P & 8P: 320V PER IEC 60664
 6,7 & 8P: 600V PER UL 2238
 CURRENT: 6P & 7P: 8A, 8P: 7A
 - TEMP RATING: -20°C TO +105°C
 - PROTECTION: IP67 (WHEN MATED)
 - COUPLING THREAD: AS NOTED
 - UL RECOGNIZED FILE: E152210
 CANADIAN RECOGNIZED FILE: LR6837
 - ALL DIMS ARE FOR REFERENCE UNLESS TOLERANCED OR NOTED OTHERWISE



PART NUMBER LEGEND



| ITEM | DESCRIPTION | MATERIAL | FINISH |
|------|------------------------|---------------|---------------|
| 6 | WRAP LABEL | VINYL | BLACK/YELLOW |
| 5 | OVERMOLD | TPE | YELLOW |
| 4 | COUPLING NUT, INT. THD | ZINC DIE-CAST | NICKEL PLATED |
| 3 | CONTACT PIN | COPPER ALLOY | GOLD PLATED |
| 2 | MALE INSERT | TPE | YELLOW |
| 1 | CABLE, 16AWG ST00W | PVC JACKET | YELLOW |

THIS DRAWING CONTAINS INFORMATION THAT IS PROPRIETARY TO MOLEX ELECTRONIC TECHNOLOGIES, LLC AND SHOULD NOT BE USED WITHOUT WRITTEN PERMISSION

SYMBOLS

| | | | |
|-------|----------|-------|-------|
| ▽ = 0 | 4 PLACES | ±---- | ±---- |
| ▽ = 0 | 3 PLACES | ±---- | ±---- |
| ▽ = 0 | 2 PLACES | ±---- | ±---- |
| ▽ = 0 | 1 PLACE | ±---- | ±---- |
| ▽ = 0 | 0 PLACES | ±---- | ±---- |

ANGULAR TOL ± ---- °

DRAFT WHERE APPLICABLE MUST REMAIN WITHIN DIMENSIONS

THIRD ANGLE PROJECTION

DRAWING C-SIZE

SERIES 130007

CURRENT REV DESC: RELEASED

EC NO: 626697
 DRWN: RSTONE 2019/11/07
 CHK'D: ALEON01 2019/11/08
 APPR: BWOODMAN 2019/11/11

INITIAL REVISION:
 DRWN: QW 1998/10/22
 APPR: BW 1998/10/22

DOCUMENT NUMBER 1300070010

DOC TYPE PSD

DOC PART 000

REVISION A

MATERIAL NUMBER

CUSTOMER GENERAL MARKET

SHEET NUMBER 1 OF 1

molex

MINI-CHANGE 90 CORD ASSEMBLY
 6, 7 & 8 POLE, 16AWG ST00W

PRODUCT CUSTOMER DRAWING