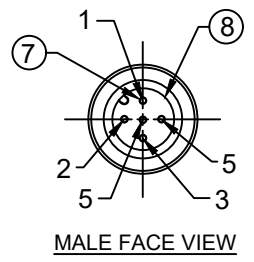
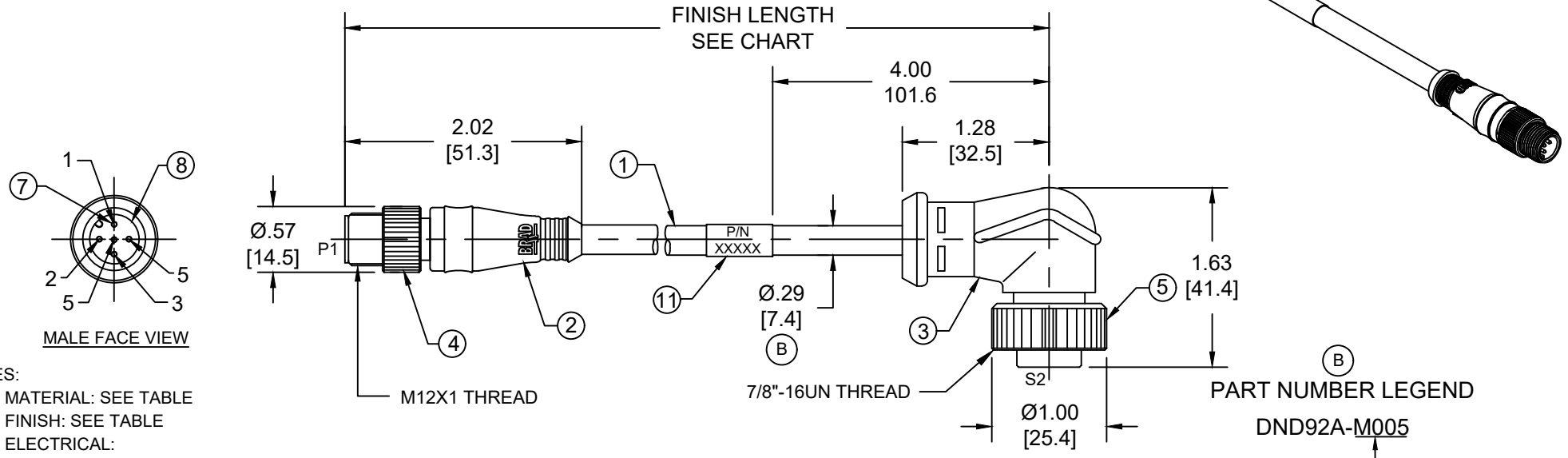
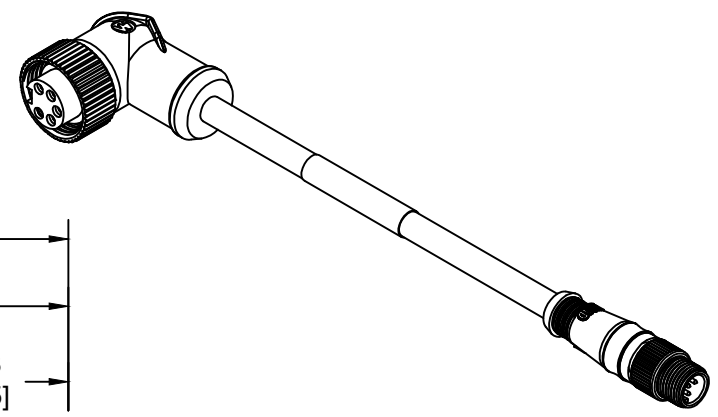


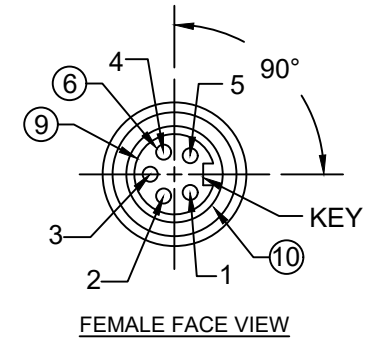
SAP P/N #	ENGINEERING P/N	FINISHED LENGTH
1300390208	DND92A-M005	0.5M [1FT 8 IN]
1300390211	DND92A-M020	2M [6FT 7 IN]
1300390213	DND92A-M050	5M [16FT 5 IN]



- NOTES:
- MATERIAL: SEE TABLE
 - FINISH: SEE TABLE
 - ELECTRICAL:
VOLTAGE: 250V
CURRENT: 4A
 - TEMP RATING: -20°C TO +80°C
 - PROTECTION: IP67 (WHEN MATED)
 - UL LISTED FILE: E152210 (B)
CSA CERTIFIED FILE: LR6837 (B)
 - ALL DIMENSIONS ARE FOR REFERENCE UNLESS TOLERANCED OR NOTED OTHERWISE

P1		S2
1	DRAIN	1
2	RED	2
3	BLACK	3
4	WHITE	4
5	BLUE	5

WIRING DIAGRAM



PART NUMBER LEGEND
DND92A-M005
 LENGTH:
 M005= 0.5 METER
 M010= 1 METER
 M100= 10 METER

CABLE LENGTH TOLERANCES	
<.3M [1FT]:	+19mm-0 [+.75in-0]
.3 - .9M [1 - 3FT]:	+44.5mm-0 [+1.75in-0]
.9 - 1.8M [3 - 6FT]:	+55.6mm-0 [+2.19in-0]
1.8 - 3.7M [6 - 12FT]:	+88.9mm-0 [+3.50in-0]
3.7 - 7.3M [12 - 24FT]:	+165.1mm-0 [+6.50in-0]
7.3 - 14.6M [24 - 48FT]:	+317.5mm-0 [+12.50in-0]
14.6 - 30.5M [48 - 100FT]:	+622.3mm-0 [+24.50in-0]
OVER 30M [100FT]	+2% OF FINISHED LENGTH

11	WRAP LABEL	VINYL	BLACK/YELLOW
10	FRICTION RING	NYLON	WHITE
9	FEMALE INSERT(MINI)	TPE	BLACK
8	MALE INSERT(MICRO)	NYLON	BLACK
7	PIN CONTACT	COPPER ALLOY	GOLD OVER NICKEL
6	SOCKET CONTACT	COPPER ALLOY	GOLD OVER NICKEL
5	COUPLING NUT(MINI)	ZINC DIE-CAST	BLACK E-COAT
4	COUPLING NUT(MICRO)	ZINC DIE-CAST	BLACK E-COAT
3	OVERMOLD(MINI)	TPC	GRAY
2	OVERMOLD(MICRO)	TPC	GRAY
1	DEVICENET DROP CABLE	PVC JACKET	GRAY
ITEM	COMPONENT	MATERIAL	FINISH

FUNCTIONAL SYMBOLS										THIS DRAWING CONTAINS INFORMATION THAT IS PROPRIETARY TO MOLEX ELECTRONIC TECHNOLOGIES, LLC AND SHOULD NOT BE USED WITHOUT WRITTEN PERMISSION									
DIMENSION UNITS					SCALE					CURRENT REV DESC: ITEM-2, 3 & 9 WERE PVC. ADDED ITEM-10, TOL CHART, UL, CSA, CABLE DIA AND PN LEGEND. MODIFIED PN CHART									
INCH/MM					NTS														
GENERAL TOLERANCES (UNLESS SPECIFIED)																			
mm																			
INCH																			
4 PLACES ±----					±----					EC NO: 720800					DRWN: ABENJAMINLW 2022/07/28				
3 PLACES ±----					±----					CHK'D: RSTONE 2022/09/09					DRWN: TWOLDEGE 2010/01/11				
2 PLACES ±----					±----					APPR: BWOODMAN 2022/09/09					DRWN: TWOLDEGE 2010/01/11				
1 PLACE ±----					±----					INITIAL REVISION:					APPR: JFMURPHY 2010/01/20				
0 PLACES ±----					±----					DRWN: TWOLDEGE 2010/01/11					APPR: JFMURPHY 2010/01/20				
DIVISIONAL SYMBOLS										ANGULAR TOL ± ---- °									
DRAFT WHERE APPLICABLE MUST REMAIN WITHIN DIMENSIONS										THIRD ANGLE PROJECTION									
DRAWING					SERIES					MATERIAL NUMBER					CUSTOMER				
A-SIZE					130039					SEE CHART					GENERAL MARKET				
DOCUMENT NUMBER										DOC TYPE/DOC PART/REVISION									
SD-130039-024										PSD 001 B									
SHEET NUMBER										1 OF 1									

DOCUMENT STATUS	P1	RELEASE DATE	2022/09/09	18:08:09
-----------------	----	--------------	------------	----------