

4

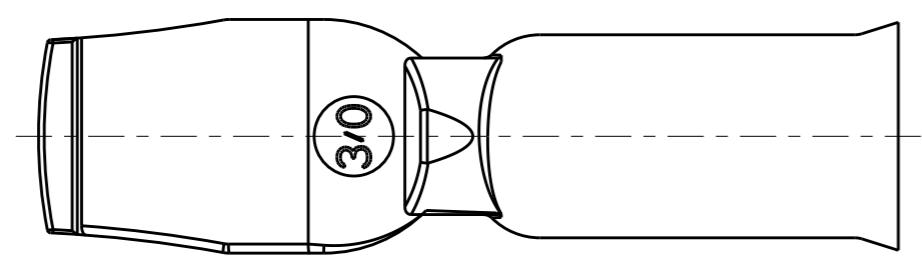
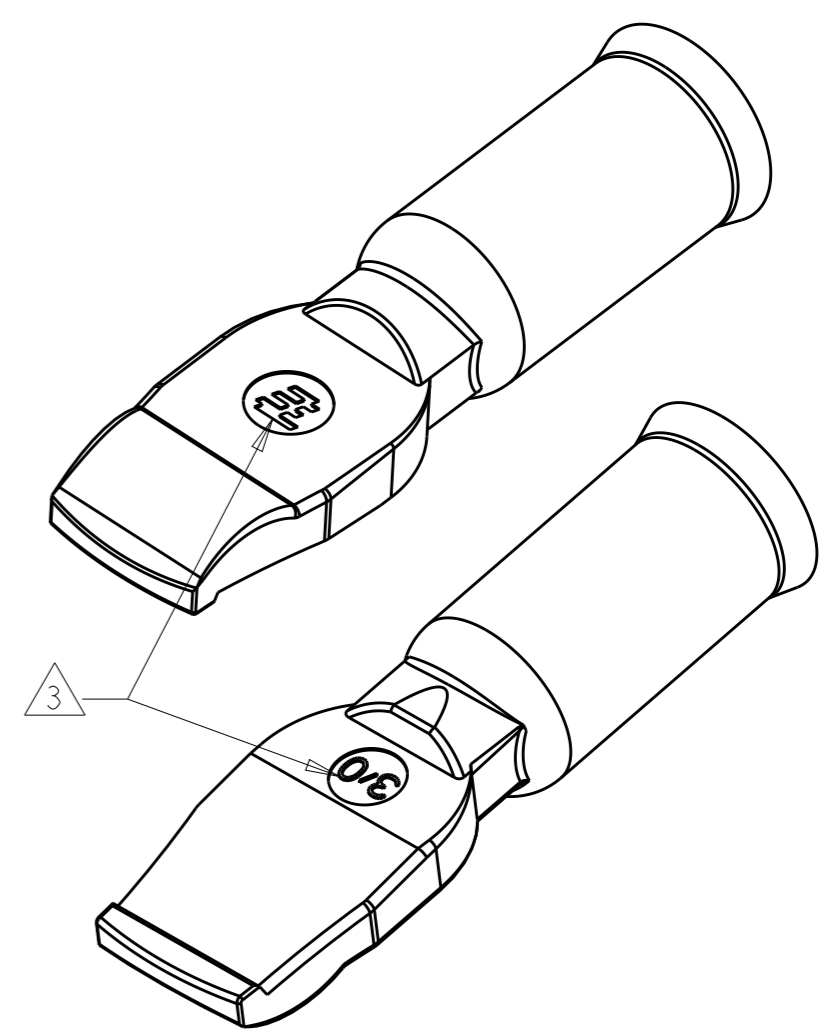
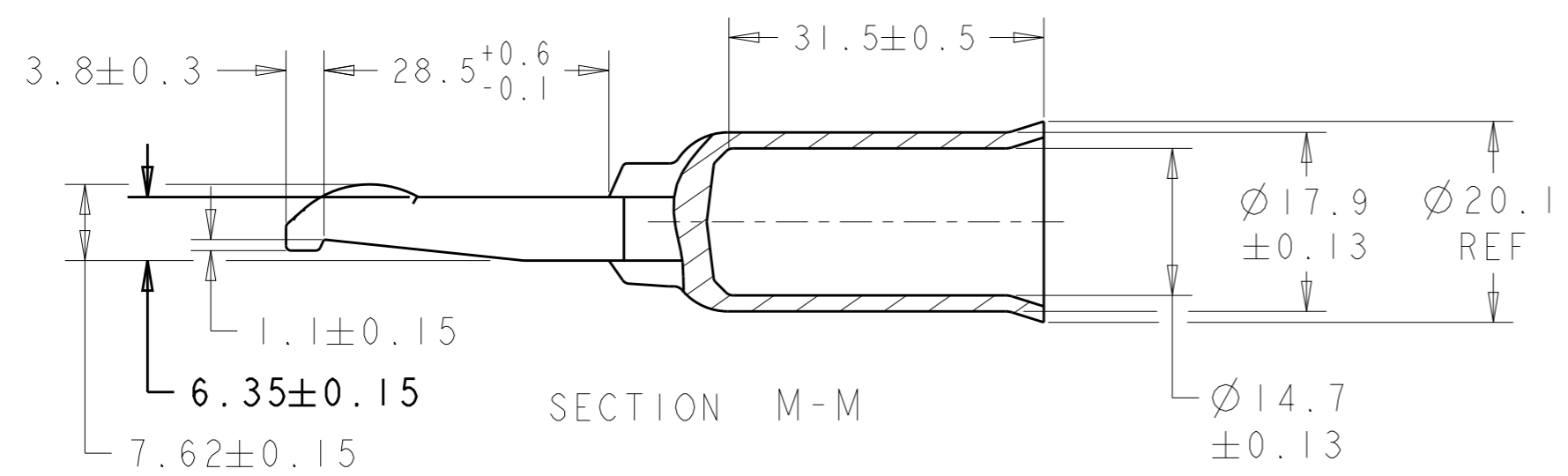
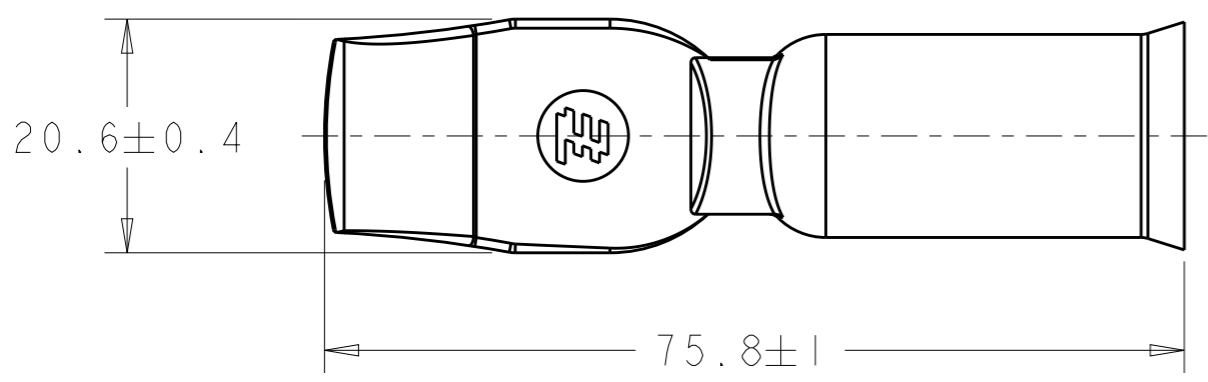
3

2

1

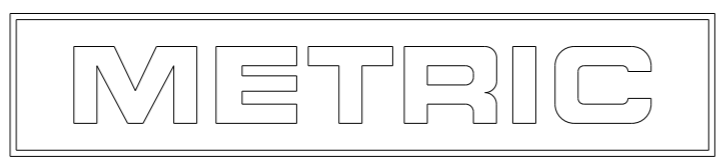
THIS DRAWING IS UNPUBLISHED. RELEASED FOR PUBLICATION 20
 © COPYRIGHT 20 BY TYCO ELECTRONICS CORPORATION. ALL RIGHTS RESERVED.

LOC	DIST	REVISIONS				
P	LTR	DESCRIPTION	DATE	DWN	APVD	
CM	0	B	REV PER ECR 10-006756	01APR10	JR SM	
		C	REV PER ECR-18-000415	19JAN2018	RS SZ	



- 1. MATERIAL: COPPER ALLOY
- 2. FINISH: PLATED SILVER
- △ 3. STAMP MARK MAY BE ROTATED

AS SHOWN	1604053-1
DESCRIPTION	PART NUMBER



<small>THIS DRAWING IS A CONTROLLED DOCUMENT FOR TYCO ELECTRONICS CORPORATION. IT IS SUBJECT TO CHANGE AND THE CONTROLLING ENGINEERING ORGANIZATION SHOULD BE CONTACTED FOR THE LATEST REVISION.</small>		DWN 09APR2002 Brent D. Yohn		tyco Tyco Electronics Electronics Harrisburg, PA 17105-3608	
DIMENSIONS: mm		TOLERANCES UNLESS OTHERWISE SPECIFIED: 0 PLC ±. 1 PLC ±0.3 2 PLC ±0.13 3 PLC ±0.050 4 PLC ±. ANGLES ±1°		CHK 09APR2002 W.H. BERNHART APVD 09APR2002 W.H. BERNHART	
		MATERIAL - FINISH -		NAME CONTACT, AMP POWER SERIES 350, 3/0 AWG	
PRODUCT SPEC - APPLICATION SPEC - WEIGHT -		SIZE A3 CAGE CODE 00779 DRAWING NO. C-1604053		RESTRICTED TO	
CUSTOMER DRAWING				SCALE 3:2 SHEET 1 OF 1 REV C	