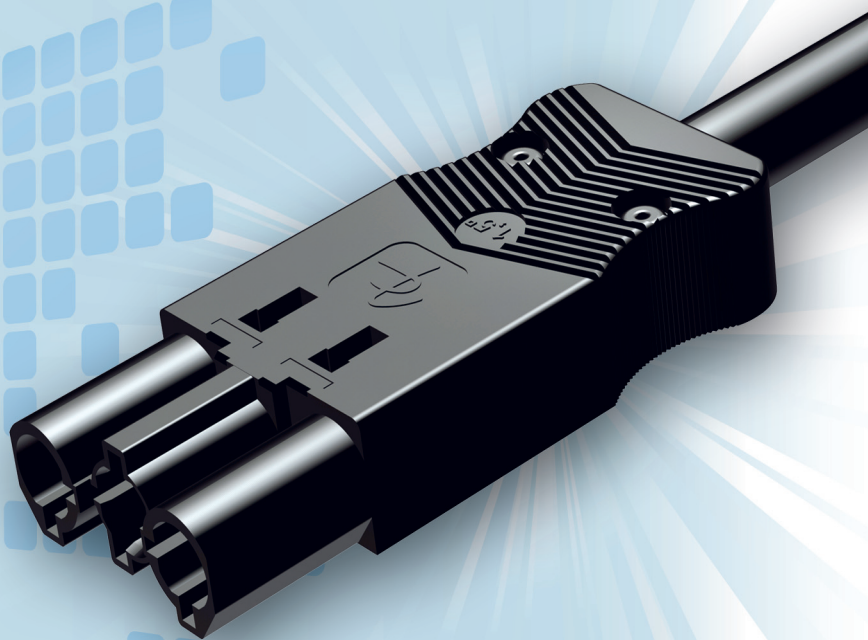


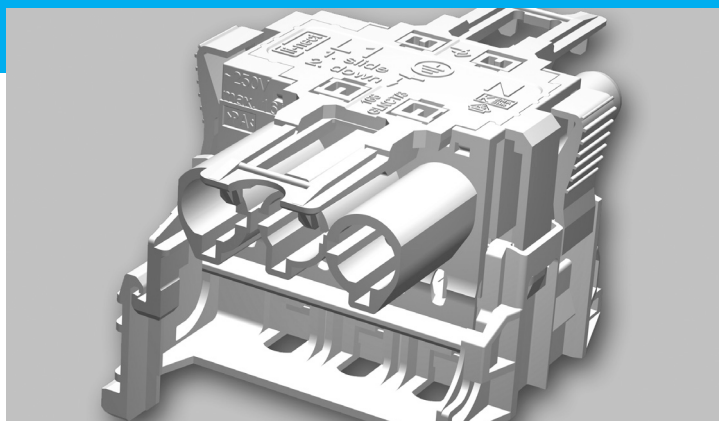


Product Overview

# AC 166

## The Economic Solution for Electrical Installation





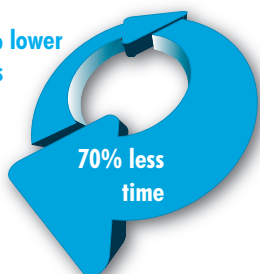
## AC 166 – the System

### The safe, flexible Installation

Office buildings, stands at fairs or big stores: in all applications where flexibility, safety and cost efficiency is a priority, our connecting system AC 166 is the ultimate solution.

Constantly increasing labour costs make the labour time needed to install common installation materials a costly element of the project. The AC 166 system allows to reduce these costs to a minimum. Components within luminaires, devices and sockets, pre-assembled cables and distributors permit a continuous „plug and play“ installation. Laborious cutting to length and stripping as well as connecting by conventional installation material can thus be waived.

30% lower costs



70% less time

Safe plug and socket connectors with or without interlocking reduce failure rate to a minimum. Time consuming reworking is no longer necessary.



## Technical Information

### AC 166 G and AC 166 Classic

The AC 166 G series is the succeeding model to the prior system AC 166 Classic. The AC 166 G series complies with the more rigid requirements of the EN 60320 standard with regards to protection against electric shock from the mains connection of the socket.



the light connection system

The future name of pluggable connections is Linect® – a universal connecting system for the installation of built-in luminaires. Luminaire manufacturers and installers benefit from the great advantage of reduced complexity since luminaires provided with a Linect® logo may be combined with any Linect®-labelled plug and socket connectors. With its plug-in adapter (see page 8) our AC 166 series is part of the Linect® system.

### Compatibility

The AC 166 system is compatible with the leading market standard. This applies both to mechanical and electrical functioning. Upon request, we are pleased to provide you with our relative approvals and references as well as with supplementary tests.

### Applicable Standards

- EN 60320  
Appliance couplers for household and similar general purposes
- EN 61984  
Connectors – safety requirements and tests
- EN 61535  
Installation couplers intended for permanent connection in fixed installations



# The Economic Solution for Electrical Installation



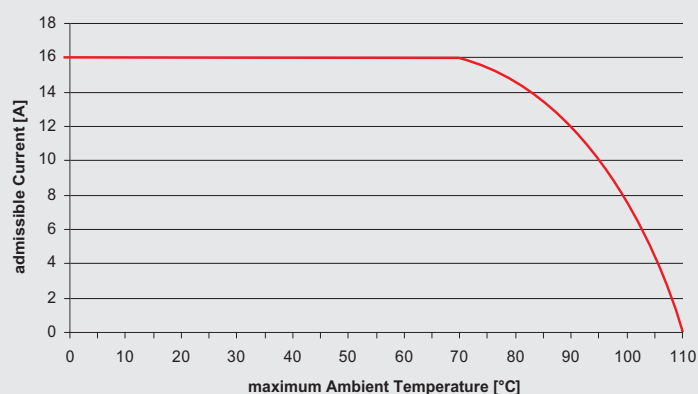
## Current Rating and Limit Temperature

16 A / 250 V / 400 V at T 70 °C

max: 110 °C

20 A, upon request

Derating Curve



## Plastic Material

Polyamide 6.6

Flammability rating to UL 94: V-2

Continuous working temperature 100 °C, short-time temperature 160 °C

## Metal

Contacts: brass, tinned

Clamping screws: steel, zinc plated, chromed

## Cables

H05VV-F (PVC) and H05Z1Z1-F (halogen-free)

Continuous working temperature 70 °C

Voltage rating: 300 V / 500 V, surge voltage 4 kV

Wire ends with ferrules

Specifications for different cables (H07RN-F, H05V2V2-F, SiHSi, ...) upon request





## Protection Class

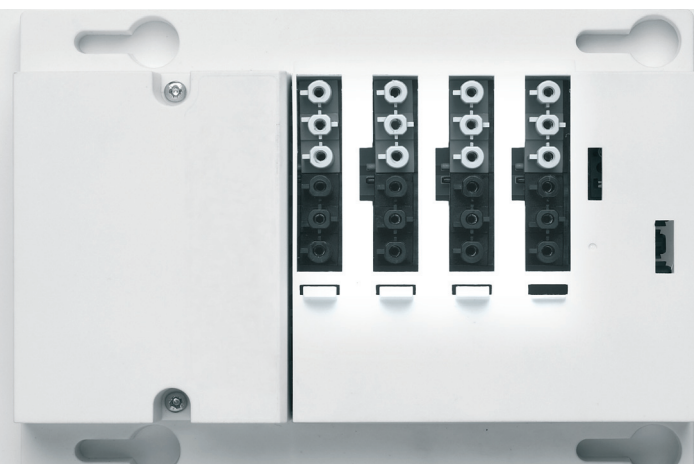
IP 20

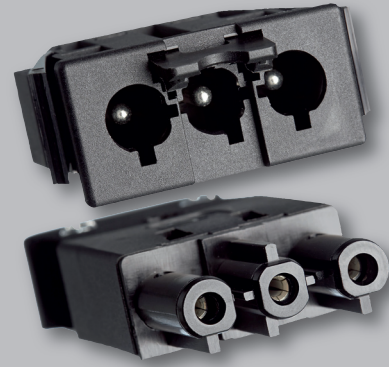
P 40 – when plugged-in

## Important Approvals

For current approvals, please see the relative data sheets of each item on our website.

Approvals	Nominal Cross Section [mm <sup>2</sup> ]	Voltage Rating [V]
	1,5 / 2,5	250 V
	2,5	250 V
	16 AWG / 14 AWG	600 V
	16 AWG / 14 AWG	600 V





## Index

### AC 166 G 3 pole

Plugs and sockets, high and flat type / strain reliefs / built-in plugs and sockets / connecting links / T-distributors / LINECT® adapter / protection class II / protecting caps / plugs and sockets for solder connection / connecting, extension and mains cables / special codings

Page 5

### AC 166 G 4 pole

Plugs and sockets, high and flat type / strain reliefs / built-in plugs and sockets / sockets for solder connection / connecting and extension cables

Page 15

### AC 166 G 5 pole

Plugs and sockets, flat type / built-in plugs and sockets / connecting and extension cables

Page 19

### AC 166 G 6 pole

Plugs and sockets, high type / strain reliefs

Page 22

### AC 166-1 Classic 3 pole

Plugs and sockets, high and flat type / strain reliefs / built-in plugs and sockets / connecting links / protecting caps / connecting, extension and mains cables

Page 23

### AC 166-A Classic 2 - 5 pole

Plugs and sockets / single and double connection / strain reliefs

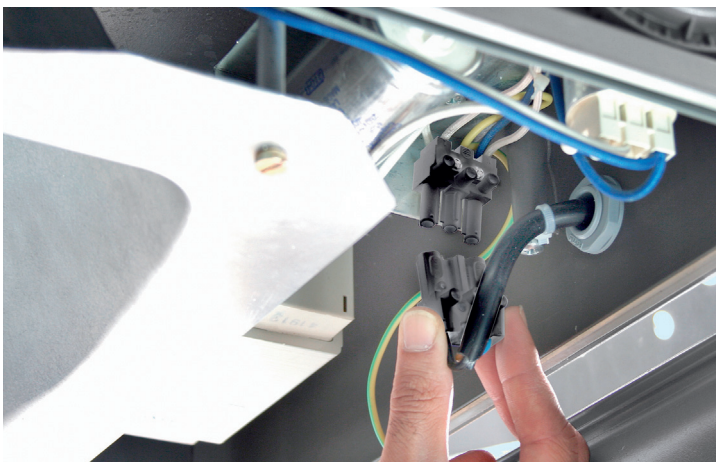
Page 28

### AC 166 Accessories

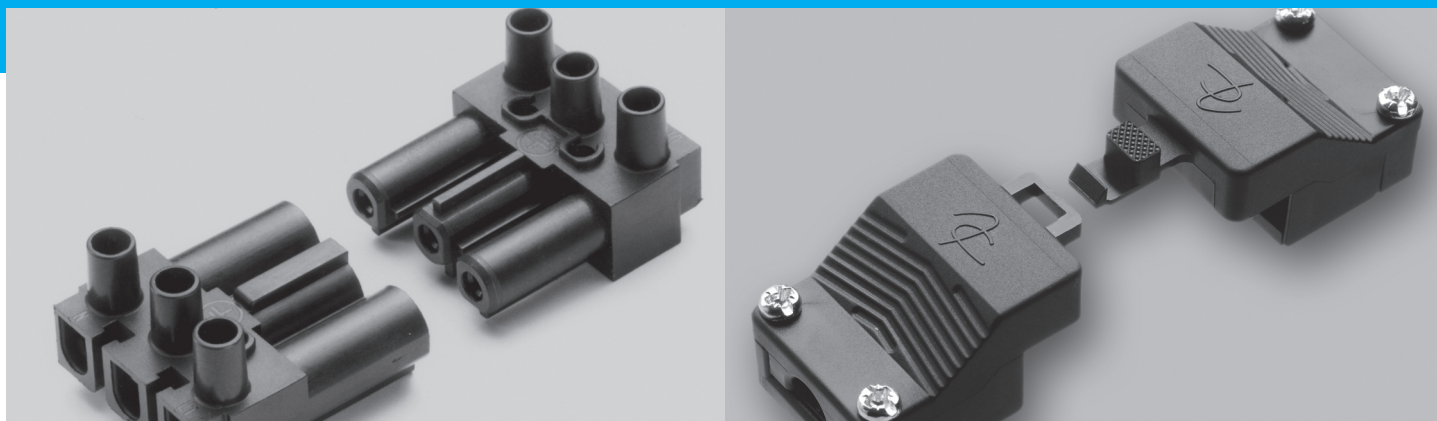
Latches

Page 30

For further connecting systems as well as terminal blocks and connectors for electrical installation please see our main catalogue and our website







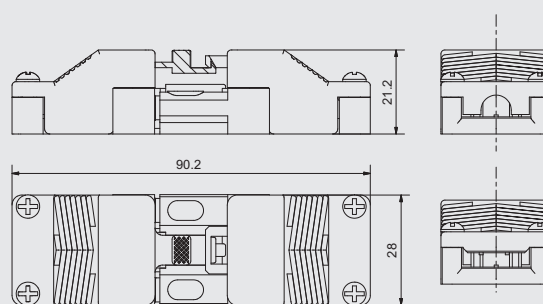
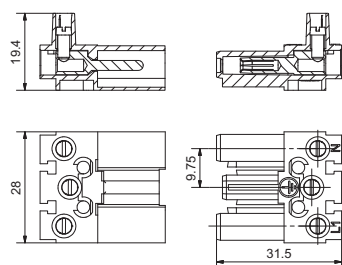
## Plugs and Sockets

**Connection:** Screws  
 Conductor size 0.5 - 2.5 mm<sup>2</sup>  
**Torque Screw:** ⚙ max. 0.5 Nm  
**Stripping Length:** 7 mm  
**Important Approvals:** VDE, KEMA, UL  
**Upon Request:** with strain relief assembled

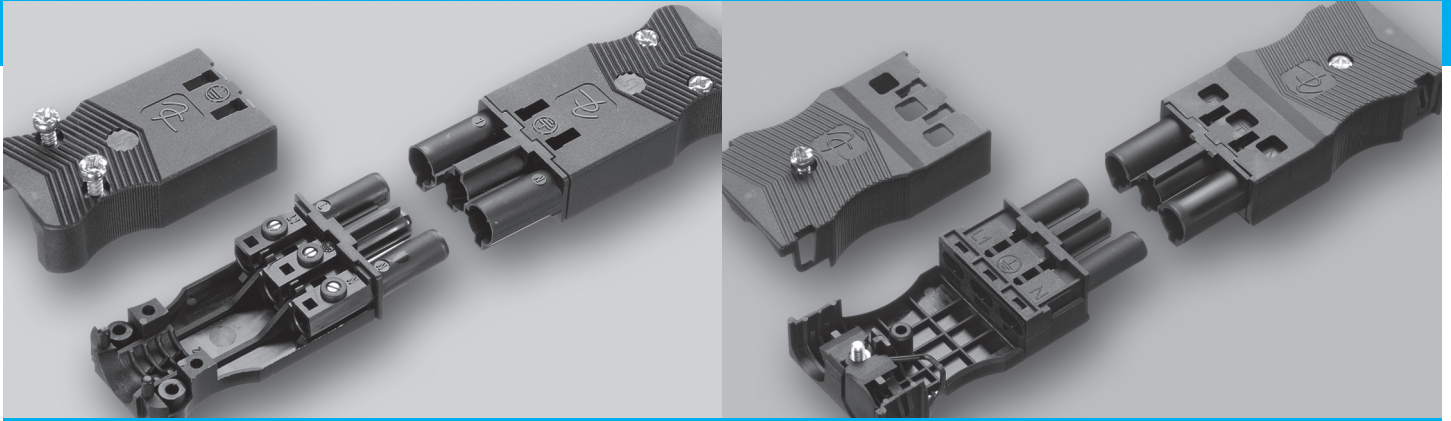
## Strain Reliefs

**Connection:** Cable outlet  
 Type "R": round conductor Ø 6.5 - 8.3 mm  
 Type "F": 2 round conductors up to Ø 4.5 mm  
 Type "F": flat conductor up to 4.5 mm  
**Torque Screw:** ⚙ max. 0.4 Nm  
**Dismantling Length:** 33 mm  
 PE leading by 7 mm

Description	Item	Order Number	PU	Description	Item	Order Number	PU
<b>Plugs</b>				<b>Type "R"</b>			
Coding 1 (L PE N)	AC 166 GST/ 3 white	162053	200	without interlocking	AC 166-1/ 3 ZEL R white	166053	200
	AC 166 GST/ 3 black	162063	200		AC 166-1/ 3 ZEL R black	166063	200
Coding 2 (L PE N)	AC 166 GST/ 3 pebble grey	162003	200	with hook for plugs	AC 166-1/ 3 ZEL RH white	166053H	200
					AC 166-1/ 3 ZEL RH black	166063H	200
<b>Sockets</b>				<b>Type "F"</b>			
Coding 1 (N PE L)	AC 166 GBU/ 3 white	165053	200	with eye for sockets	AC 166-1/ 3 ZEL RO white	1660530	200
	AC 166 GBU/ 3 black	165063	200		AC 166-1/ 3 ZEL RO black	1660630	200
Coding 2 (N PE L)	AC 166 GBU/ 3 pebble grey	165003	200	for latches	AC 166-1/ 3 ZEL RV white	166053V	200
					AC 166-1/ 3 ZEL RV black	166063V	200
Coding 3 (3 2 1)	AC 166 GBU/ 3 brown	165093	200				
				without interlocking	AC 166-1/ 3 ZEL F white	166153	200
					AC 166-1/ 3 ZEL F black	166163	200
				with hook for plugs	AC 166-1/ 3 ZEL FH white	166153H	200
					AC 166-1/ 3 ZEL FH black	166163H	200
				with eye for sockets	AC 166-1/ 3 ZEL FO white	1661530	200
					AC 166-1/ 3 ZEL FO black	1661630	200
				for latches	AC 166-1/ 3 ZEL FV white	166153V	200
					AC 166-1/ 3 ZEL FV black	166163V	200



# AC 166 G 3 pole



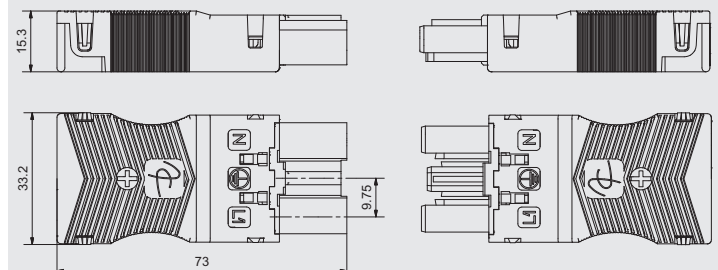
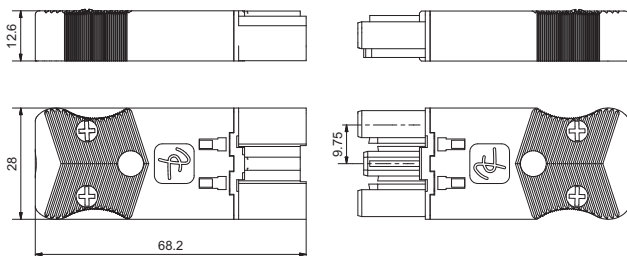
## Plugs and Sockets, flat

**Connection:** Screws  
 Conductor size 0.5 - 2.5 mm<sup>2</sup>  
**Torque Screw:** ⤴ max. 0.3 Nm conductor  
 ⤴ max. 0.4 Nm strain relief  
**Stripping Length:** 7 mm  
**Dismantling Length:** 39 mm (PE), 32 mm (L N)  
**Important Approvals:** VDE, KEMA, UL  
**Upon Request:** Connectors for 0.5 mm<sup>2</sup>, 0.75 mm<sup>2</sup> and 1.0 mm<sup>2</sup>

## Plugs and Sockets, flat

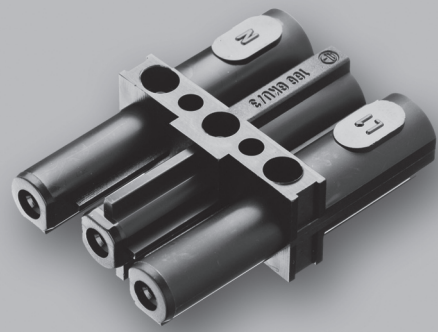
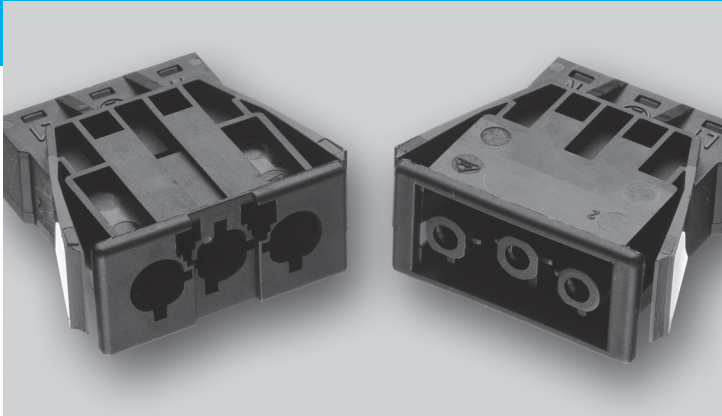
**Connection:** Clamping spring contacts, 2 clamping units per pole  
 Conductor size 0.5 - 2.5 mm<sup>2</sup>  
 solid or flexible, sealed  
 Conductor size 0.5 - 1.5 mm<sup>2</sup>  
 flexible with ferrules  
**Torque Screw:** ⤴ max. 0.5 Nm strain relief upper part  
 ⤴ max. 0.4 Nm strain relief bottom part  
**Stripping Length:** 8 - 9 mm  
**Dismantling Length:** 42 mm (PE), 35 mm (L N)  
**Important Approvals:** VDE

Description	Item	Order Number	PU	Description	Item	Order Number	PU
<b>Plugs, Connection 1.5 mm<sup>2</sup></b>				<b>Plugs</b>			
Coding 1 (L PE N)	AC 166 GSTF/ 315 white	162453	200	Coding 1 (L PE N)	AC 166 GSTPF/3 white	162553	200
	AC 166 GSTF/ 315 black	162463	200		AC 166 GSTPF/3 black	162563	200
Coding 3 (L PE N)	AC 166 GSTF/ 315 light red	162463R	200	Coding 3 (L PE N)	AC 166 GSTPF/3 light red	162563R	200
<b>Plugs, Connection 2.5 mm<sup>2</sup></b>				<b>Sockets</b>			
Coding 1 (L PE N)	AC 166 GSTF/ 325 white	162653	200	Coding 1 (N PE L)	AC 166 GBUPF/3 white	165553	200
	AC 166 GSTF/ 325 black	162663	200		AC 166 GBUPF/3 black	165563	200
Coding 3 (L PE N)	AC 166 GSTF/ 325 light red	162663R	200	Coding 3 (N PE L)	AC 166 GBUPF/3 light red	165563R	200
<b>Sockets, Connection 1.5 mm<sup>2</sup></b>							
Coding 1 (N PE L)	AC 166 GBUF/ 315 white	165453	200				
	AC 166 GBUF/ 315 black	165463	200				
Coding 3 (N PE L)	AC 166 GBUF/ 315 light red	165463R	200				
<b>Sockets, Connection 2.5 mm<sup>2</sup></b>							
Coding 1 (N PE L)	AC 166 GBUF/ 325 white	165653	200				
	AC 166 GBUF/ 325 black	165663	200				
Coding 3 (N PE L)	AC 166 GBUF/ 325 light red	165663R	200				





# AC 166 G 3 pole



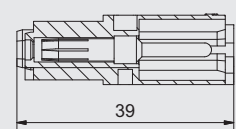
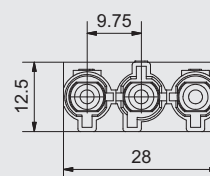
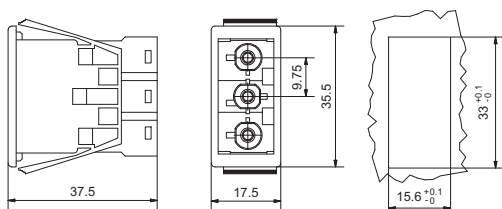
## Built-in Plugs and Built-in Sockets

Connection: Clamping spring contacts, 2 clamping units per pole  
 Conductor size 0.5 - 2.5 mm<sup>2</sup>  
 solid or flexible, sealed  
 Conductor size 0.5 - 1.5 mm<sup>2</sup>  
 flexible with ferrules

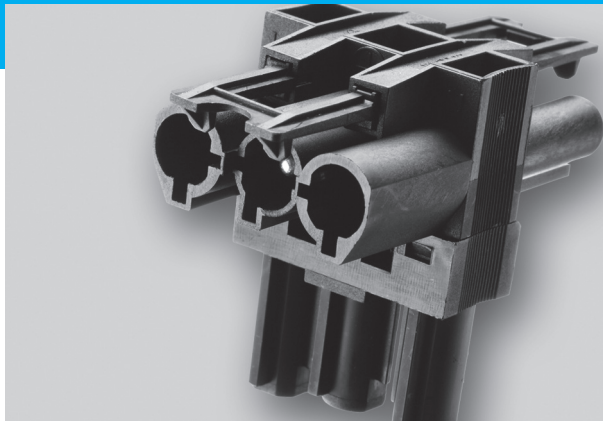
Wall Thickness Housing: 0.5 - 1.2 mm  
 Stripping Length: 8 - 9 mm  
 Important Approvals: VDE, KEMA, UL

## Connecting Links

Description	Item	Order Number	PU	Description	Item	Order Number	PU
<b>Plugs without Latches</b>				Coding 1	AC 166 GKU/ 3 white	167053	200
Coding 1 (L PE N)	AC 166 GEST/ 3 white	168753	200		AC 166 GKU/ 3 black	167063	200
	AC 166 GEST/ 3 black	168763	200				
<b>Plugs with Latches</b>							
Coding 1 (L PE N)	AC 166 GEST/ 3 white with VSE	168753V	200				
	AC 166 GEST/ 3 black with VSE	168763V	200				
<b>Sockets without Latches</b>							
Coding 1 (N PE L)	AC 166 GEBU/ 3 white	168853	200				
	AC 166 GEBU/ 3 black	168863	200				
<b>Sockets with Latches</b>							
Coding 1 (N PE L)	AC 166 GEBU/ 3 white with VSE	168853V	200				
	AC 166 GEBU/ 3 black with VSE	168863V	200				
<b>Latches, separately</b>							
	AC 166 VSE white	169453	100				
	AC 166 VSE black	169463	100				

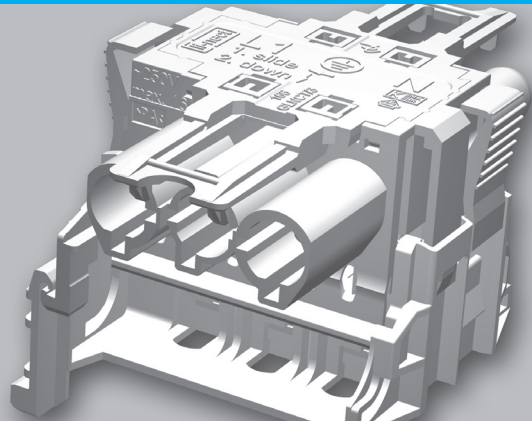


# AC 166 G 3 pole



## Distributing Blocks

Connection: Distributing block 1 input terminal (plug) and 2 output terminals (socket)  
 Important Approvals: VDE



## LINECT® Plug-in Adapters

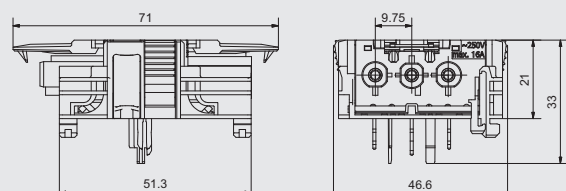
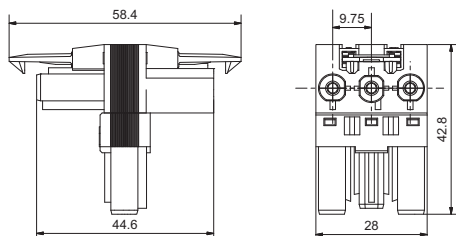
Connection: Distributing block 1 input terminal (plug), 1 output terminal (socket), 1 tap to the luminaire by LINECT® interface  
 Important Approvals: VDE, KEMA (applied for)

Description	Item	Order Number	PU	Description	Item	Order Number	PU
Coding 1	AC 166 GVT 3/3 white	167153	100	Coding 1	AC 166 GLNCT/3 white	167853	100
	AC 166 GVT 3/3 black	167163	100				



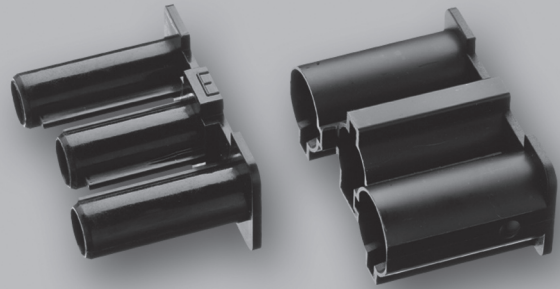
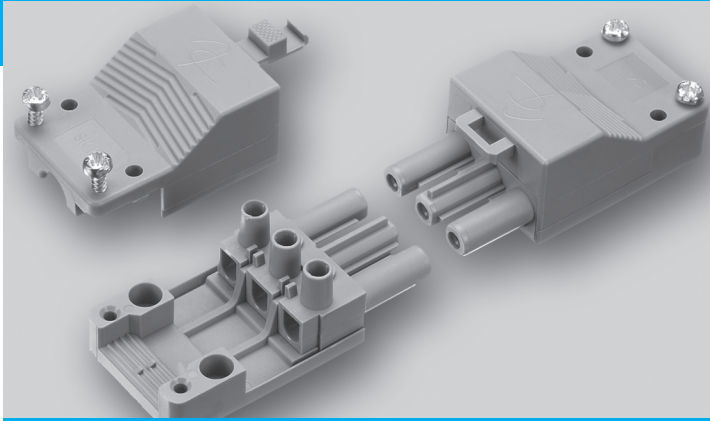
the light connection system

**New – from 3<sup>rd</sup> quarter 2010!**





# AC 166 G 3 pole

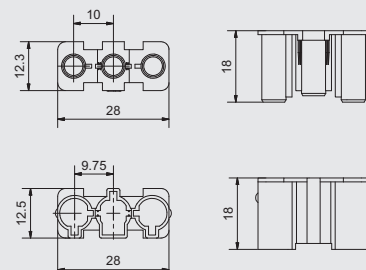
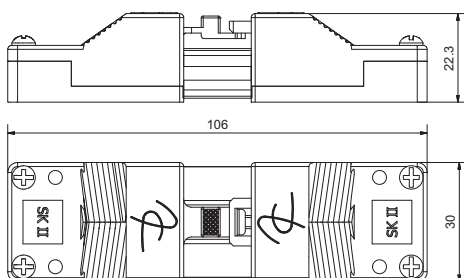


## Plug-in Connectors Protection Class II

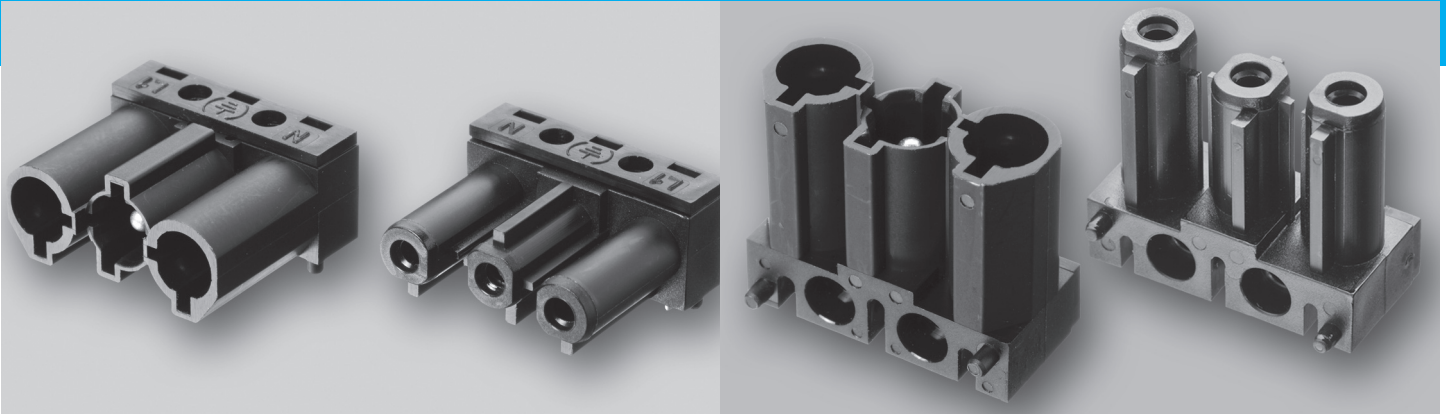
## Protective Caps

Connection: Screws  
 Conductors 1.5 mm<sup>2</sup>  
 Torque Screw: ⤴ max. 0.5 Nm conductor  
 ⤴ max. 0,4 Nm strain relief  
 Stripping Length: 7 mm  
 Dismantling Length: 26 mm  
 Important Approvals: VDE  
 Upon Request: Connectors 2.5 mm<sup>2</sup>

Description	Item	Order Number	PU	Description	Item	Order Number	PU
<b>Plugs</b>				for plugs	AC 166 VKE/ 3 white	169153	100
Coding 7 (L - N) with Strain Relief	AC 166 GST/ 315 SK II RH	162073RH	200		AC 166 VKE/ 3 black	169163	100
<b>Sockets</b>				for sockets	AC 166 VKH/ 3 white	169253	100
Coding 7 (N - L) with Strain Relief	AC 166 GBU/ 315 SK II RO	165073RO	200		AC 166 VKH/ 3 black	169263	100



# AC 166 G 3 pole



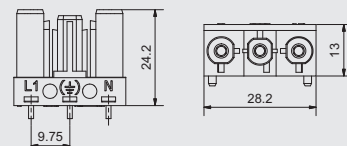
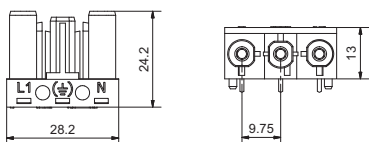
## Plugs and Sockets with Solder Terminals

Connection: horizontal/rectangular connection to pc board  
 Length Solder Pin: 3.3 mm  
 Eyelet/Mounting Hole:  $\varnothing$  1.4 mm  
 Important Approvals: KEMA  
 Upon Request: combined coding 1, 2 and 3 for Classic series (red)

## Plugs and Sockets with Solder Terminals

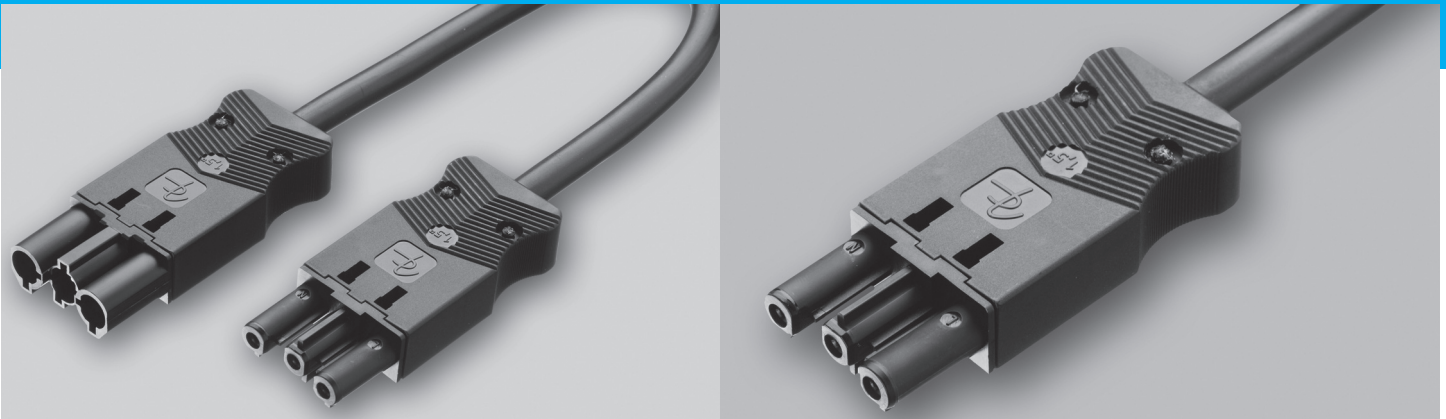
Connection: vertical/straight connection to pc-board  
 Length Solder Pin: 3.3 mm  
 Eyelet/Mounting Hole:  $\varnothing$  1.4 mm  
 Important Approvals: KEMA

Description	Item	Order Number	PU	Description	Item	Order Number	PU
<b>Plugs without Latches</b>				<b>Plugs without Latches</b>			
Coding 1 (L PE N)	AC 166 GSTLH/ 3 white	169953	500	Coding 1 (L PE N)	AC 166 GSTLV/ 3 white	169653	500
	AC 166 GSTLH/ 3 black	169963	500		AC 166 GSTLV/ 3 black	169663	500
Coding 2 (L PE N)	AC 166 GSTLH/ 3 pebble grey	169903	500	Coding 2 (L PE N)	AC 166 GSTLV/ 3 pebble grey	169603	500
<b>Plugs with Latches</b>				<b>Plugs with Latches</b>			
Coding 1 (L PE N)	AC 166 GSTLH/ 3 white with VSL	169953V	500	Coding 1 (L PE N)	AC 166 GSTLV/ 3 white with VSL	169653V	500
	AC 166 GSTLH/ 3 black with VSL	169963V	500		AC 166 GSTLV/ 3 black with VSL	169663V	500
Coding 2 (L PE N)	AC 166 GSTLH/ 3 pebble grey with VSL	169903V	500	Coding 2 (L PE N)	AC 166 GSTLV/ 3 pebble grey with VSL	169603V	500
<b>Sockets without Latches</b>				<b>Sockets without Latches</b>			
Coding 1 (N PE L)	AC 166 GBULH/ 3 white	169053	500	Coding 1 (N PE L)	AC 166 GBULV/ 3 white	169353	500
	AC 166 GBULH/ 3 black	169063	500		AC 166 GBULV/ 3 black	169363	500
Coding 2 (N PE L)	AC 166 GBULH/ 3 pebble grey	169003	500	Coding 2 (N PE L)	AC 166 GBULV/ 3 pebble grey	169303	500
<b>Sockets with Latches</b>				<b>Sockets with Latches</b>			
Coding 1 (N PE L)	AC 166 GBULH/ 3 white with VSL	169053V	500	Coding 1 (N PE L)	AC 166 GBULV/ 3 white with VSL	169353V	500
	AC 166 GBULH/ 3 black with VSL	169063V	500		AC 166 GBULV/ 3 black with VSL	169363V	500
Coding 2 (N PE L)	AC 166 GBULH/ 3 pebble grey with VSL	169003V	500	Coding 2 (N PE L)	AC 166 GBULV/ 3 pebble grey with VSL	169303V	500
<b>Latches, separately</b>				<b>Latches, separately</b>			
	AC 166 VSL black	169564	100		AC 166 VSL black	169564	100





# AC 166 G 3 pole



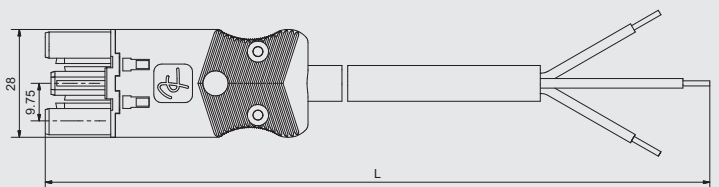
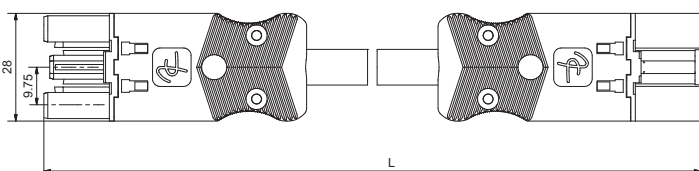
## Extension Cables

Important Approvals: VDE, KEMA  
 Upon Request: different cables, different codings

## Connecting Cables with Socket

Stripping Length: 7 mm  
 Dismantling Length: 39 mm  
 Important Approvals: VDE, KEMA  
 Upon Request: different cables, different codings,  
 wire ends sealed (LV),  
 different stripping / dismantling lengths

Description	Item	Order Number	PU	Description	Item	Order Number	PU
<b>Cable 1.5 mm<sup>2</sup> PVC (H05VV-F)</b>				<b>Cable 1.5 mm<sup>2</sup> PVC (H05VV-F)</b>			
1 metre	AC 166 VLGG/315 100 white	16475310	75	1 metre	AC 166 ALCGB/315 100 white	16575310	75
	AC 166 VLGG/315 100 black	16476310	75		AC 166 ALCGB/315 100 black	16576310	75
2 metres	AC 166 VLGG/315 200 white	16475320	50	2 metres	AC 166 ALCGB/315 200 white	16575320	50
	AC 166 VLGG/315 200 black	16476320	50		AC 166 ALCGB/315 200 black	16576320	50
x metres	AC 166 VLGG/315 x00 white	164753x0		x metres	AC 166 ALCGB/315 x00 white	165753x0	
	AC 166 VLGG/315 x00 black	164763x0			AC 166 ALCGB/315 x00 black	165763x0	
<b>Cable 1.5 mm<sup>2</sup> halogen-free (H05Z1Z1-F)</b>				<b>Cable 1.5 mm<sup>2</sup> halogen-free (H05Z1Z1-F)</b>			
1 metre	AC 166 VLGG/315 100 H05Z1Z1 white	96475310	75	1 metre	AC 166 ALCGB/315 100 H05Z1Z1 white	96575310	75
	AC 166 VLGG/315 100 H05Z1Z1 black	96476310	75		AC 166 ALCGB/315 100 H05Z1Z1 black	96576310	75
2 metres	AC 166 VLGG/315 200 H05Z1Z1 white	96475320	50	2 metres	AC 166 ALCGB/315 200 H05Z1Z1 white	96575320	50
	AC 166 VLGG/315 200 H05Z1Z1 black	96476320	50		AC 166 ALCGB/315 200 H05Z1Z1 black	96576320	50
x metres	AC 166 VLGG/315 x00 H05Z1Z1 white	964753x0		x metres	AC 166 ALCGB/315 x00 H05Z1Z1 white	965753x0	
	AC 166 VLGG/315 x00 H05Z1Z1 black	964763x0			AC 166 ALCGB/315 x00 H05Z1Z1 black	965763x0	
<b>Cable 2.5 mm<sup>2</sup> PVC (H05VV-F)</b>				<b>Cable 2.5 mm<sup>2</sup> PVC (H05VV-F)</b>			
1 metre	AC 166 VLGG/325 100 white	16477310	75	1 metre	AC 166 ALCGB/325 100 white	16577310	75
	AC 166 VLGG/325 100 black	16478310	75		AC 166 ALCGB/325 100 black	16578310	75
2 metres	AC 166 VLGG/325 200 white	16477320	50	2 metres	AC 166 ALCGB/325 200 white	16577320	50
	AC 166 VLGG/325 200 black	16478320	50		AC 166 ALCGB/325 200 black	16578320	50
x metres	AC 166 VLGG/325 x00 white	164773x0		x metres	AC 166 ALCGB/325 x00 white	165773x0	
	AC 166 VLGG/325 x00 black	164783x0			AC 166 ALCGB/325 x00 black	165783x0	
<b>Cable 2.5 mm<sup>2</sup> halogen-free (H05Z1Z1-F)</b>				<b>Cable 2.5 mm<sup>2</sup> halogen-free (H05Z1Z1-F)</b>			
1 metre	AC 166 VLGG/325 100 H05Z1Z1 white	96477310	75	1 metre	AC 166 ALCGB/325 100 H05Z1Z1 white	96577310	75
	AC 166 VLGG/325 200 H05Z1Z1 black	96478320	50		AC 166 ALCGB/325 100 H05Z1Z1 black	96578310	75
2 metres	AC 166 VLGG/325 200 H05Z1Z1 white	96477320	50	2 metres	AC 166 ALCGB/325 200 H05Z1Z1 white	96577320	50
	AC 166 VLGG/325 100 H05Z1Z1 black	96478310	75		AC 166 ALCGB/325 200 H05Z1Z1 black	96578320	50
x metres	AC 166 VLGG/325 x00 H05Z1Z1 white	964773x0		x metres	AC 166 ALCGB/325 x00 H05Z1Z1 white	965773x0	
	AC 166 VLGG/325 x00 H05Z1Z1 black	964783x0			AC 166 ALCGB/325 x00 H05Z1Z1 black	965783x0	



# AC 166 G 3 pole



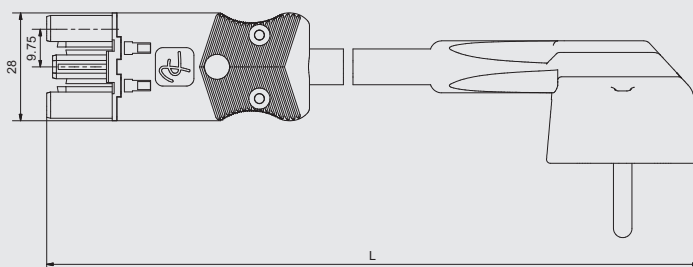
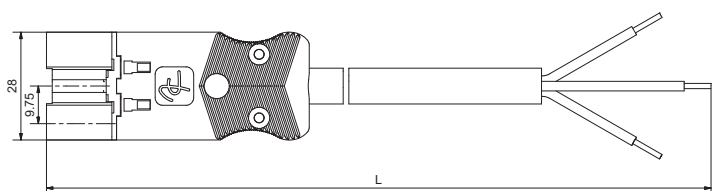
## Connecting Cables with Plug

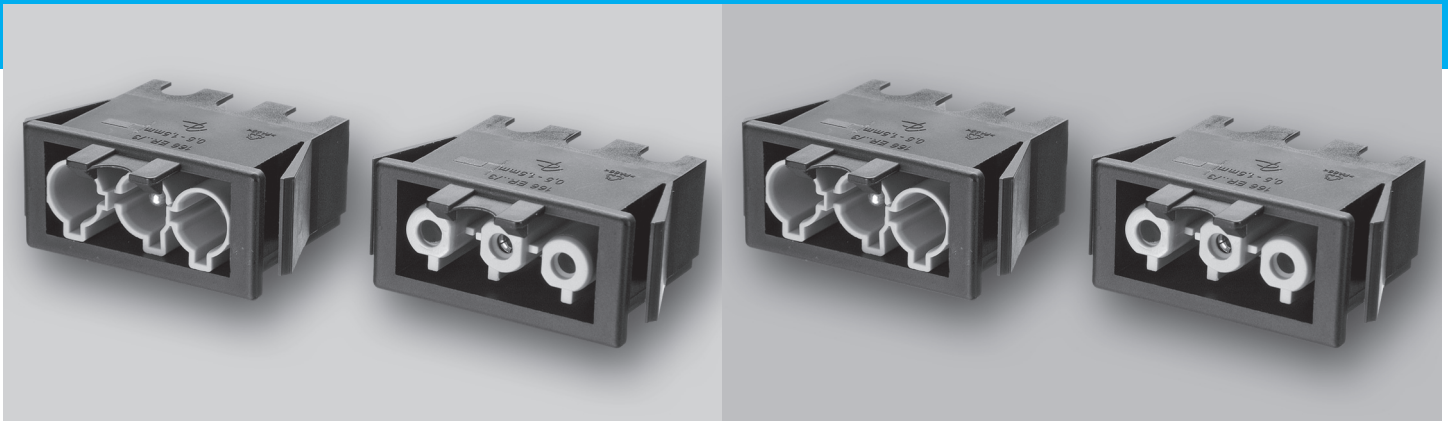
Stripping Length: 7 mm  
 Dismantling Length: 39 mm  
 Important Approvals: VDE, KEMA  
 Upon Request: different cables, different codings,  
 wire ends sealed (LV),  
 different stripping / dismantling lengths

## Mains Cables with Socket

Upon Request: straight earthing type plug, cable size 2.5 mm<sup>2</sup>,  
 halogen-free cables

Description	Item	Order Number	PU	Description	Item	Order Number	PU
<b>Cable 1.5 mm<sup>2</sup> PVC (H05VV-F)</b>				<b>Cable 1.5 mm<sup>2</sup> PVC (H05VV-F) with rectangular Earthing Type Plug</b>			
1 metre	AC 166 ALCGS/315 100 white	16275310	75	1 metre	AC 166 NLCGB/315 100 white	98565310	75
	AC 166 ALCGS/315 100 black	16276310	75		AC 166 NLCGB/315 100 black	98566310	75
2 metres	AC 166 ALCGS/315 200 white	16275320	50	2 metres	AC 166 NLCGB/315 200 white	98565320	50
	AC 166 ALCGS/315 200 black	16276320	50		AC 166 NLCGB/315 200 black	98566320	50
x metres	AC 166 ALCGS/315 x00 white	162753x0		x metres	AC 166 NLCGB/315 x00 white	985653x0	
	AC 166 ALCGS/315 x00 black	162763x0			AC 166 NLCGB/315 x00 black	985663x0	
<b>Cable 1.5 mm<sup>2</sup> halogen-free (H05Z1Z1-F)</b>							
1 metre	AC 166 ALCGS/315 100 H05Z1Z1 white	96275310	75				
	AC 166 ALCGS/315 100 H05Z1Z1 black	96276310	75				
2 metres	AC 166 ALCGS/315 200 H05Z1Z1 white	96275320	50				
	AC 166 ALCGS/315 200 H05Z1Z1 black	96276320	50				
x metres	AC 166 ALCGS/315 x00 H05Z1Z1 white	962753x0					
	AC 166 ALCGS/315 x00 H05Z1Z1 black	962763x0					
<b>Cable 2.5 mm<sup>2</sup> PVC (H05VV-F)</b>							
1 metre	AC 166 ALCGS/325 100 white	16277310	75				
	AC 166 ALCGS/325 100 black	16278310	75				
2 metres	AC 166 ALCGS/325 200 white	16277320	50				
	AC 166 ALCGS/325 200 black	16278320	50				
x metres	AC 166 ALCGS/325 x00 white	162773x0					
	AC 166 ALCGS/325 x00 black	162783x0					
<b>Cable 2.5 mm<sup>2</sup> halogen-free (H05Z1Z1-F)</b>							
1 metre	AC 166 ALCGS/325 100 H05Z1Z1 white	96277310	75				
	AC 166 ALCGS/325 100 H05Z1Z1 black	96278310	75				
2 metres	AC 166 ALCGS/325 200 H05Z1Z1 white	96277320	50				
	AC 166 ALCGS/325 200 H05Z1Z1 black	96278320	50				
x metres	AC 166 ALCGS/325 x00 H05Z1Z1 white	962773x0					
	AC 166 ALCGS/325 x00 H05Z1Z1 black	962783x0					





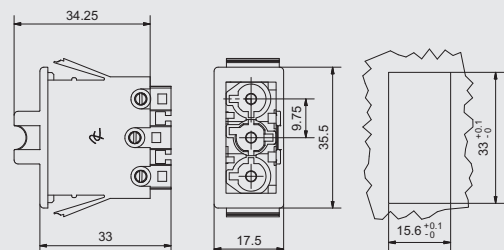
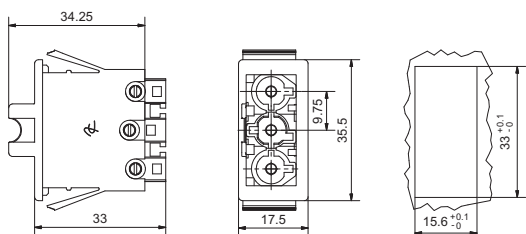
## Special Codings Metal Housings

**Connection:** Screws  
 Conductor size 0.5 - 2.5 mm<sup>2</sup>  
**Torque Screw:** ⌀ max. 0.3 Nm  
**Wall Thickness Housing:** 0.5 - 1.5 mm  
**Stripping Length:** 7 mm  
**Important Approvals:** VDE  
**Upon Request:** Spring clamping contacts, frames white, frames without interlocking

## Special Codings Plastic Housings

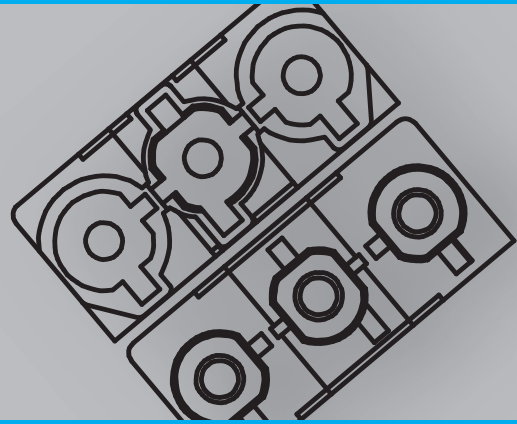
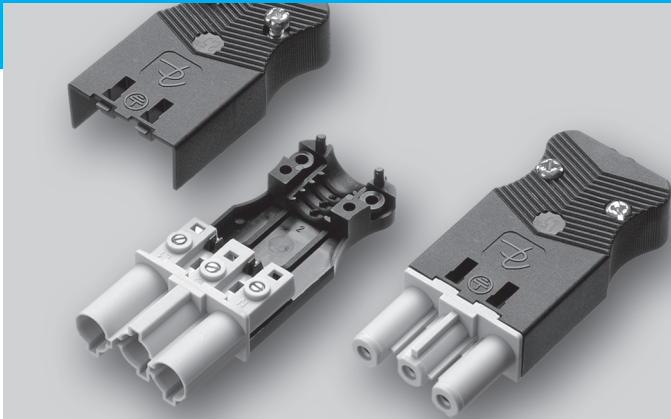
**Connection:** Screws  
 Conductor size 0.5 - 2.5 mm<sup>2</sup>  
**Torque Screw:** ⌀ max. 0.3 Nm  
**Wall Thickness Housing:** 1.5 - 2.5 mm  
**Stripping Length:** 7 mm  
**Important Approvals:** VDE  
**Upon Request:** Spring clamping contacts, frames white, frames without interlocking

Description	Item	Order Number	PU	Description	Item	Order Number	PU
<b>Plugs with black Frames and Latches</b>				<b>Plugs with black Frames and Latches</b>			
Coding 1 (L PE N)	AC 166 GESTBV/ 3 coral red	168263X	200	Coding 1 (L PE N)	AC 166 GESTKV/ 3 coral red	168463X	200
Coding 2 (L PE N)	AC 166 GESTBV/ 3 pebble grey	168263K	200	Coding 2 (L PE N)	AC 166 GESTKV/ 3 pebble grey	168463K	200
Coding 3 (L PE N)	AC 166 GESTBV/ 3 light red	168263R	200	Coding 3 (L PE N)	AC 166 GESTKV/ 3 light red	168463R	200
Coding 4 (1 2 3)	AC 166 GESTBV/ 3 brown	168263B	200	Coding 4 (1 2 3)	AC 166 GESTKV/ 3 brown	168463B	200
Coding 5 (1 2 3)	AC 166 GESTBV/ 3 pastel blue	168263P	200	Coding 5 (1 2 3)	AC 166 GESTKV/ 3 pastel blue	168463P	200
Coding 6 (L PE N)	AC 166 GESTBV/ 3 green	168263G	200	Coding 6 (L PE N)	AC 166 GESTKV/ 3 green	168463G	200
Coding 7 (L -- N)	AC 166 GESTBV/ 3 dark grey	168263D	200	Coding 7 (L -- N)	AC 166 GESTKV/ 3 dark grey	168463D	200
Coding 9 (1 2 3)	AC 166 GESTBV/ 3 yellow	168263Y	200	Coding 9 (1 2 3)	AC 166 GESTKV/ 3 yellow	168463Y	200
<b>Sockets with black Frames and Latches</b>				<b>Sockets with black Frames and Latches</b>			
Coding 1 (N PE L)	AC 166 GEBUBV/ 3 coral red	168363X	200	Coding 1 (N PE L)	AC 166 GEBUKV/ 3 coral red	168563X	200
Coding 2 (N PE L)	AC 166 GEBUBV/ 3 pebble grey	168363K	200	Coding 2 (N PE L)	AC 166 GEBUKV/ 3 pebble grey	168563K	200
Coding 3 (N PE L)	AC 166 GEBUBV/ 3 light red	168363R	200	Coding 3 (N PE L)	AC 166 GEBUKV/ 3 light red	168563R	200
Coding 4 (3 2 1)	AC 166 GEBUBV/ 3 brown	168363B	200	Coding 4 (3 2 1)	AC 166 GEBUKV/ 3 brown	168563B	200
Coding 5 (3 2 1)	AC 166 GEBUBV/ 3 pastel blue	168363P	200	Coding 5 (3 2 1)	AC 166 GEBUKV/ 3 pastel blue	168563P	200
Coding 6 (N PE L)	AC 166 GEBUBV/ 3 green	168363G	200	Coding 6 (N PE L)	AC 166 GEBUKV/ 3 green	168563G	200
Coding 7 (N -- L)	AC 166 GEBUBV/ 3 dark grey	168363D	200	Coding 7 (N -- L)	AC 166 GEBUKV/ 3 dark grey	168563D	200
Coding 9 (3 2 1)	AC 166 GEBUBV/ 3 yellow	168363Y	200	Coding 9 (3 2 1)	AC 166 GEBUKV/ 3 yellow	168563Y	200





# AC 166 G 3 pole



## Special Codings Plugs and Sockets

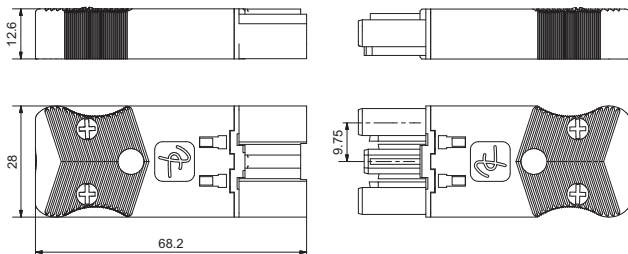
## Coding Overview

**Connection:** Screws  
 Conductor size 0.5 - 2.5 mm<sup>2</sup>  
**Torque Screw:** ⚙ max. 0.3 Nm conductor  
 ⚙ max. 0.4 Nm strain relief  
**Stripping Length:** 7 mm  
**Dismantling Length:** 39 mm (PE), 32 mm (L N), 32 mm (without PE)  
**Important Approvals:** VDE  
**Upon Request:** Connectors for 0.5 mm<sup>2</sup>, 0.75 mm<sup>2</sup>, 1.0 mm<sup>2</sup> and 2.5 mm<sup>2</sup>, strain relief white

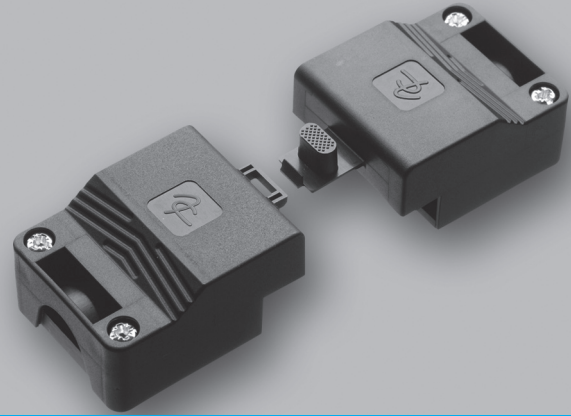
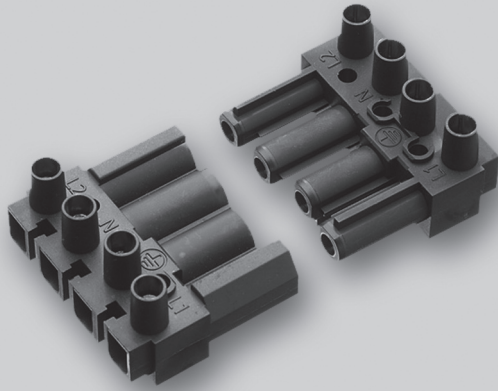
Description	Item	Order Number	PU	Coding Nr.	Colours	with PE	Main application
<b>Plugs with black Strain Relief for 3 x 1.5 mm<sup>2</sup></b>				1	black/white/coral red*	yes	circuit
Coding 1 (L PE N)	AC 166 GSTF/ 315 coral red	162463X	200	2	pebble grey	yes	circuit
Coding 2 (L PE N)	AC 166 GSTF/ 315 pebble grey	162463K	200	3	light red	yes	ignition cables
Coding 3 (L PE N)	AC 166 GSTF/ 315 light red	162463R	200	4	brown	no	control cables
Coding 4 (1 2 3)	AC 166 GSTF/ 315 brown	162463B	200	5	pastel blue	no	dimmer output (DALI)
Coding 5 (1 2 3)	AC 166 GSTF/ 315 pastel blue	162463P	200	6	green	yes	circuit
Coding 6 (L PE N)	AC 166 GSTF/ 315 green	162463G	200	7	dark grey	no	protection class II
Coding 7 (L -- N)	AC 166 GSTF/ 315 dark grey	162463D	200	9	yellow	no	motion detector
Coding 9 (1 2 3)	AC 166 GSTF/ 315 yellow	162463Y	200	* coral red upon request			

<b>Sockets with black Strain Relief for 3 x 1.5 mm<sup>2</sup></b>			
Coding 1 (N PE L)	AC 166 GBUF/ 315 coral red	165463X	200
Coding 2 (N PE L)	AC 166 GBUF/ 315 pebble grey	165463K	200
Coding 3 (N PE L)	AC 166 GBUF/ 315 light red	165463R	200
Coding 4 (3 2 1)	AC 166 GBUF/ 315 brown	165463B	200
Coding 5 (3 2 1)	AC 166 GBUF/ 315 pastel blue	165463P	200
Coding 6 (N PE L)	AC 166 GBUF/ 315 green	165463G	200
Coding 7 (N -- L)	AC 166 GBUF/ 315 dark grey	165463D	200
Coding 9 (3 2 1)	AC 166 GBUF/ 315 yellow	165463Y	200

Coding 1	Plugs Sockets	
Coding 2	Plugs Sockets	
Coding 3	Plugs Sockets	
Coding 4	Plugs Sockets	
Coding 5	Plugs Sockets	
Coding 6	Plugs Sockets	
Coding 7	Plugs Sockets	
Coding 9	Plugs Sockets	



# AC 166 G 4 pole



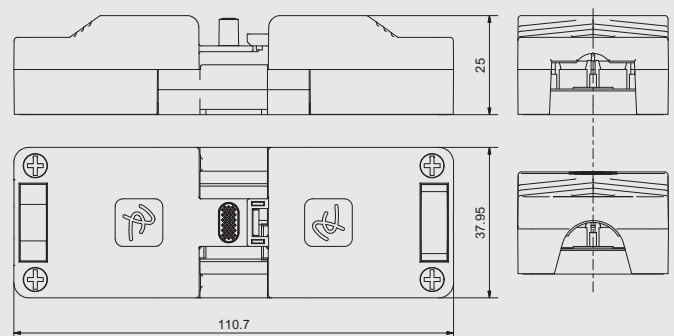
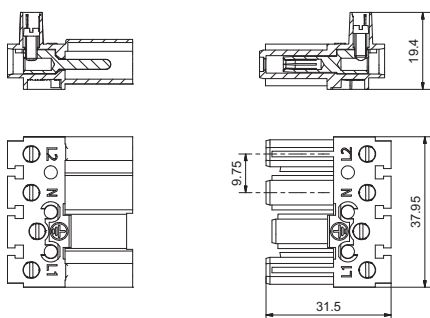
## Plugs and Sockets

**Connection:** Screws  
 Conductor size 0.5 - 2.5 mm<sup>2</sup>  
**Torque Screw:** ⚭ max. 0.5 Nm  
**Stripping Length:** 7 mm  
**Important Approvals:** VDE, KEMA  
**Upon Request:** with strain relief assembled

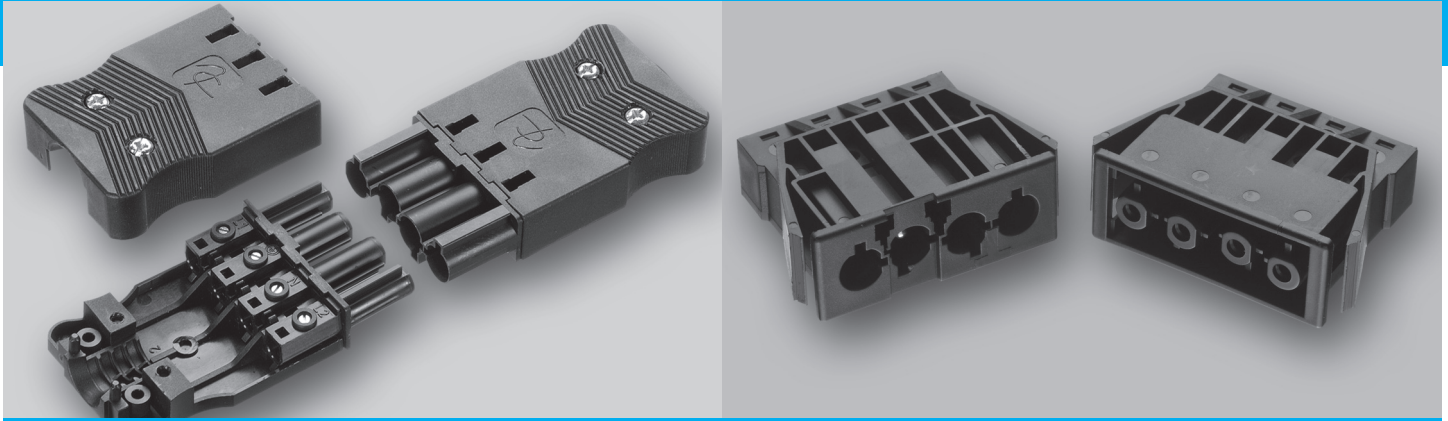
## Strain Reliefs

**Connection:** Cable outlet  
 Type "R": round conductor Ø 6.5 - 8.8 mm  
 Type "F": round conductor Ø 9.0 - 11,5 mm  
 Type "F": flat conductor up to 4.5 mm  
**Torque Screw:** ⚭ max. 0.4 Nm  
**Dismantling Length:** 42 mm  
 PE leading by 7 mm  
**Upon Request:** Strain relief for latches

Description	Item	Order Number	PU	Description	Item	Order Number	PU
<b>Plugs</b>				<b>Type "R"</b>			
Coding 1 (1 PE N 2)	AC 166 GST/ 4 white	162054	150	without interlocking	AC 166-1/ 4 ZEL R white	166054	150
	AC 166 GST/ 4 black	162064	150		AC 166-1/ 4 ZEL R black	166064	150
<b>Sockets</b>				with hook for plugs	AC 166-1/ 4 ZEL RH white	166054H	150
Coding 1 (2 N PE 1)	AC 166 GBU/ 4 white	165054	150		AC 166-1/ 4 ZEL RH black	166064H	150
	AC 166 GBU/ 4 black	165064	150	with eye for sockets	AC 166-1/ 4 ZEL RO white	1660540	150
					AC 166-1/ 4 ZEL RO black	1660640	150
				<b>Type "F"</b>			
				without interlocking	AC 166-1/ 4 ZEL F white	166154	150
					AC 166-1/ 4 ZEL F black	166164	150
				with hook for plugs	AC 166-1/ 4 ZEL FH white	166154H	150
					AC 166-1/ 4 ZEL FH black	166164H	150
				with eye for sockets	AC 166-1/ 4 ZEL FO white	1661540	150
					AC 166-1/ 4 ZEL FO black	1661640	150



# AC 166 G 4 pole



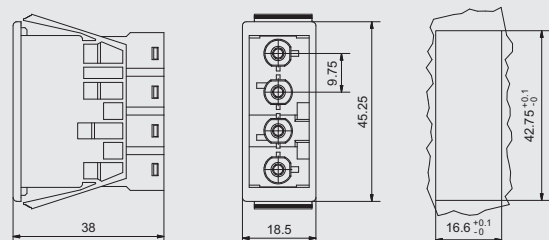
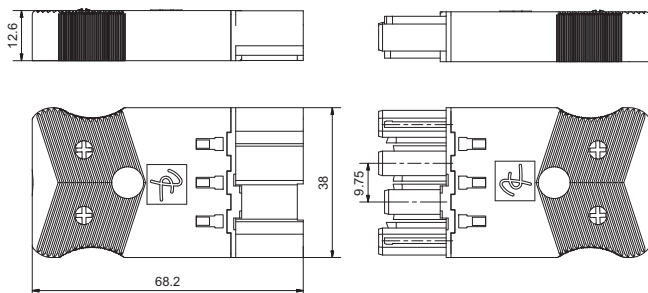
## Plugs and Sockets, flat

**Connection:** Screws  
 Conductor size 0.5 - 2.5 mm<sup>2</sup>  
**Torque Screw:** ⚙ max. 0.3 Nm conductor  
 ⚙ max. 0.4 Nm strain relief  
**Stripping Length:** 7 mm  
**Dismantling Length:** 42 mm (PE), 35 mm (1 N 2)  
**Important Approvals:** VDE, KEMA  
**Upon Request:** Connectors for 0.5 mm<sup>2</sup>, 0.75 mm<sup>2</sup> and 1.0 mm<sup>2</sup>

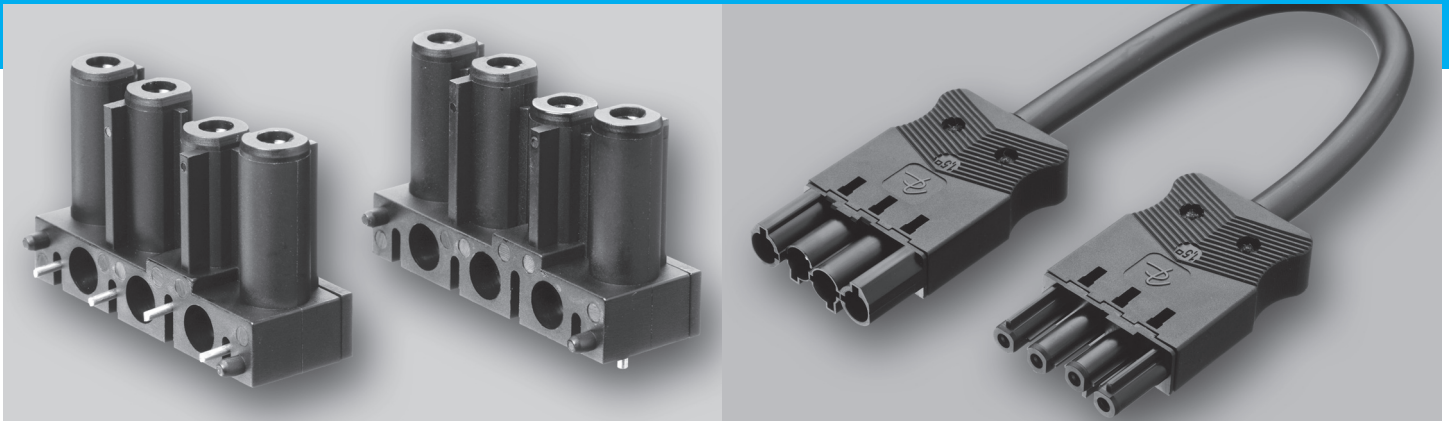
## Built-in Plugs and Built-in Sockets

**Connection:** Clamping spring contacts, 2 clamping units per pole  
 Conductor size 0.5 - 2.5 mm<sup>2</sup>  
 solid or flexible, sealed  
 Conductor size 0.5 - 1.5 mm<sup>2</sup>  
 flexible with ferrules  
**Wall Thickness Housing:** 0.5 - 1.2 mm  
**Stripping Length:** 8 - 9 mm  
**Important Approvals:** VDE, KEMA

Description	Item	Order Number	PU	Description	Item	Order Number	PU
<b>Plugs, Connection 1.5 mm<sup>2</sup></b>				<b>Plugs without Latches</b>			
Coding 1 (1 PE N 2)	AC 166 GSTF/ 415 white	162454	150	Coding 1 (1 PE N 2)	AC 166 GEST/ 4 white	168754	150
	AC 166 GSTF/ 415 black	162464	150		AC 166 GEST/ 4 black	168764	150
<b>Plugs, Connection 2.5 mm<sup>2</sup></b>				<b>Plugs with Latches</b>			
Coding 1 (1 PE N 2)	AC 166 GSTF/ 425 white	162654	150	Coding 1 (1 PE N 2)	AC 166 GEST/ 4 white with VSE	168754V	150
	AC 166 GSTF/ 425 black	162664	150		AC 166 GEST/ 4 black with VSE	168764V	150
<b>Sockets, Connection 1.5 mm<sup>2</sup></b>				<b>Sockets without Latches</b>			
Coding 1 (2 N PE 1)	AC 166 GBUF/ 415 white	165454	150	Coding 1 (2 N PE 1)	AC 166 GEBU/ 4 white	168854	150
	AC 166 GBUF/ 415 black	165464	150		AC 166 GEBU/ 4 black	168864	150
<b>Sockets, Connection 2.5 mm<sup>2</sup></b>				<b>Sockets with Latches</b>			
Coding 1 (2 N PE 1)	AC 166 GBUF/ 425 white	165654	150	Coding 1 (2 N PE 1)	AC 166 GEBU/ 4 white with VSE	168854V	150
	AC 166 GBUF/ 425 black	165664	150		AC 166 GEBU/ 4 black with VSE	168864V	150
				<b>Latches, separately</b>			
					AC 166 VSE white	169453	100
					AC 166 VSE black	169463	100







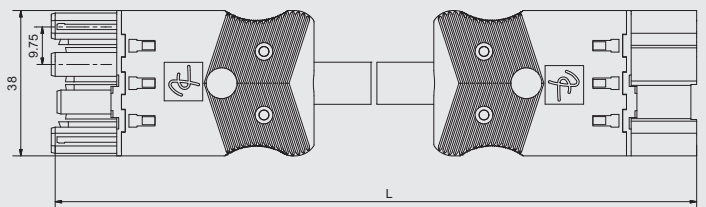
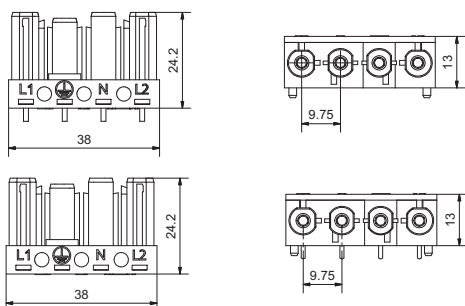
## Sockets with Solder Terminals

Connection: horizontal/rectangular or vertical/straight connection to pc-board  
 Length Solder Pin: 3.3 mm  
 Eyelet/Mounting Hole:  $\varnothing$  1.4 mm  
 Important Approvals: KEMA

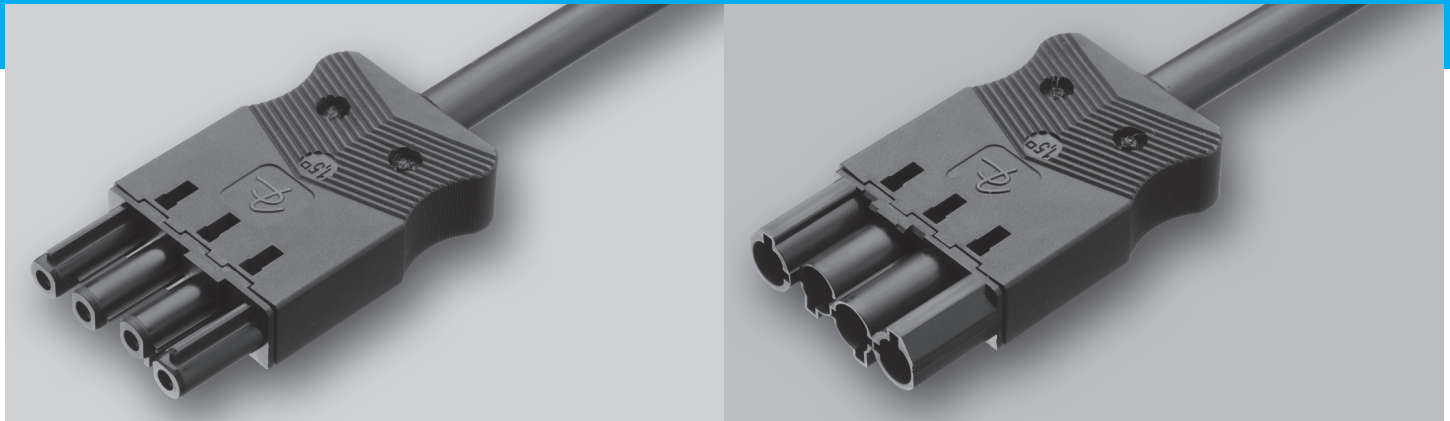
## Extension Cables

Important Approvals: VDE, KEMA  
 Upon Request: different cables

Description	Item	Order Number	PU	Description	Item	Order Number	PU
<b>Sockets horizontal, without Latches</b>				<b>Cable 1.5 mm<sup>2</sup> PVC (H05VV-F)</b>			
Coding 1 (2 N PE 1)	AC 166 GBULH/ 4 white	169054	150	1 metre	AC 166 VLCG/415 100 white	16475410	30
	AC 166 GBULH/ 4 black	169064	150	2 metres	AC 166 VLCG/415 100 black	16476410	30
<b>Sockets horizontal, with Latches</b>				2 metres	AC 166 VLCG/415 200 white	16475420	20
Coding 1 (2 N PE 1)	AC 166 GBULH/ 4 white with VSL	169054V	150	x metres	AC 166 VLCG/415 200 black	16476420	20
	AC 166 GBULH/ 4 black with VSL	169064V	150		AC 166 VLCG/415 x00 white	164754x0	
<b>Sockets vertical, without Latches</b>					AC 166 VLCG/415 x00 black	164764x0	
Coding 1 (2 N PE 1)	AC 166 GBULV/ 4 white	169354	150	<b>Cable 1.5 mm<sup>2</sup> halogen-free (H05Z1Z1-F)</b>			
	AC 166 GBULV/ 4 black	169364	150	1 metre	AC 166 VLCG/415 100 H05Z1Z1 white	96475410	30
<b>Sockets vertical, with Latches</b>					AC 166 VLCG/415 100 H05Z1Z1 black	96476410	30
Coding 1 (2 N PE 1)	AC 166 GBULV/ 4 white with VSL	169354V	150	2 metres	AC 166 VLCG/415 200 H05Z1Z1 white	96475420	20
	AC 166 GBULV/ 4 black with VSL	169364V	150		AC 166 VLCG/415 200 H05Z1Z1 black	96476420	20
<b>Latches, separately</b>				x metres	AC 166 VLCG/415 x00 H05Z1Z1 white	964754x0	
	AC 166 VSL black	169564	100		AC 166 VLCG/415 x00 H05Z1Z1 black	964764x0	
				<b>Cable 2.5 mm<sup>2</sup> PVC (H05VV-F)</b>			
				1 metre	AC 166 VLCG/425 100 white	16477410	30
					AC 166 VLCG/425 100 black	16478410	30
				2 metres	AC 166 VLCG/425 200 white	16477420	20
					AC 166 VLCG/425 200 black	16478420	20
				x metres	AC 166 VLCG/425 x00 white	164774x0	
					AC 166 VLCG/425 x00 black	164784x0	
				<b>Cable 2.5 mm<sup>2</sup> halogen-free (H05Z1Z1-F)</b>			
				1 metre	AC 166 VLCG/425 100 H05Z1Z1 white	96477410	30
					AC 166 VLCG/425 100 H05Z1Z1 black	96478410	30
				2 metres	AC 166 VLCG/425 200 H05Z1Z1 white	96477420	20
					AC 166 VLCG/425 200 H05Z1Z1 black	96478420	20
				x metres	AC 166 VLCG/425 x00 H05Z1Z1 white	964774x0	
					AC 166 VLCG/425 x00 H05Z1Z1 black	964784x0	



# AC 166 G 4 pole



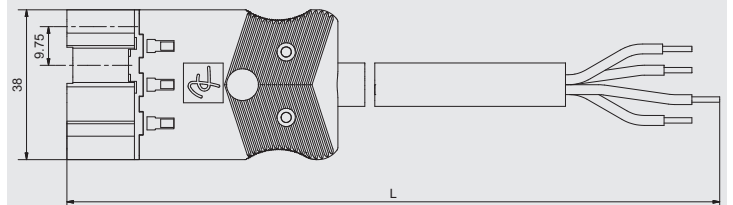
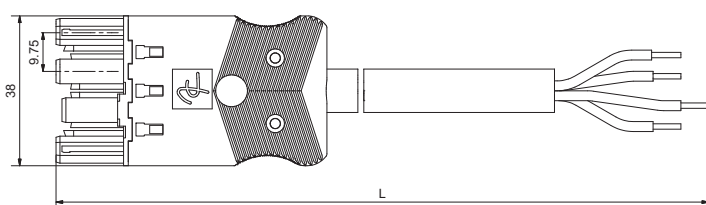
## Connecting Cables with Socket

Stripping Length: 7 mm  
 Dismantling Length: 42 mm  
 Important Approvals: VDE, KEMA  
 Upon Request: different cables, wire ends sealed (LV),  
 different stripping / dismantling lengths

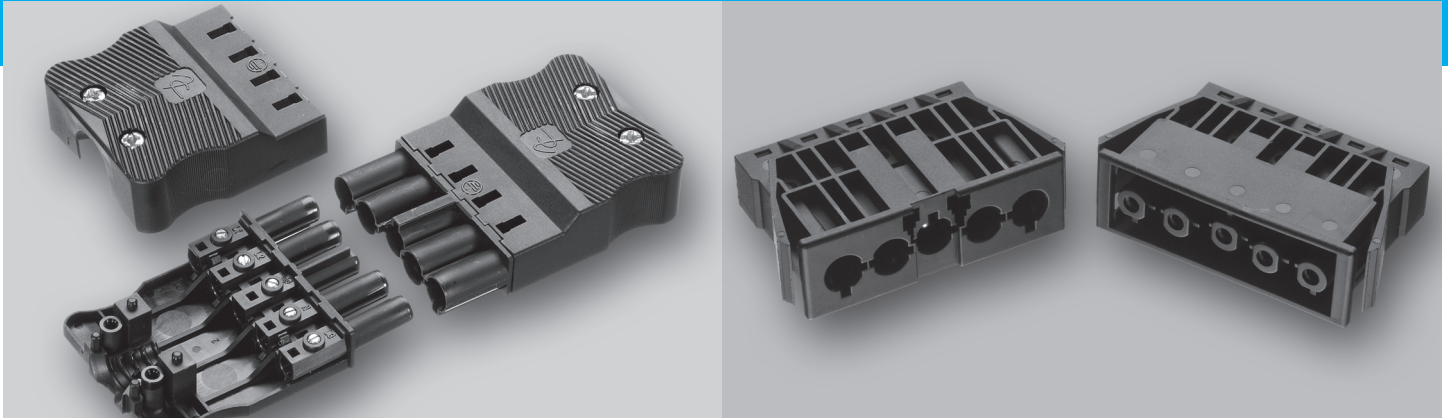
## Connecting Cables with Plug

Stripping Length: 7 mm  
 Dismantling Length: 42 mm  
 Important Approvals: VDE, KEMA  
 Upon Request: different cables, wire ends sealed (LV),  
 different stripping / dismantling lengths

Description	Item	Order Number	PU	Description	Item	Order Number	PU
<b>Cable 1.5 mm² PVC (H05VV-F)</b>				<b>Cable 1.5 mm² PVC (H05VV-F)</b>			
1 metre	AC 166 ALCGB/415 100 white	16575410	30	1 metre	AC 166 ALCGS/415 100 white	16275410	30
	AC 166 ALCGB/415 100 black	16576410	30		AC 166 ALCGS/415 100 black	16276410	30
2 metres	AC 166 ALCGB/415 200 white	16575420	20	2 metres	AC 166 ALCGS/415 200 white	16275420	20
	AC 166 ALCGB/415 200 black	16576420	20		AC 166 ALCGS/415 200 black	16276420	20
x metres	AC 166 ALCGB/415 x00 white	165754x0		x metres	AC 166 ALCGS/415 x00 white	162754x0	
	AC 166 ALCGB/415 x00 black	165764x0			AC 166 ALCGS/415 x00 black	162764x0	
<b>Cable 1.5 mm² halogen-free (H05Z1Z1-F)</b>				<b>Cable 1.5 mm² halogen-free (H05Z1Z1-F)</b>			
1 metre	AC 166 ALCGB/415 100 H05Z1Z1 white	96575410	30	1 metre	AC 166 ALCGS/415 100 H05Z1Z1 white	96275410	30
	AC 166 ALCGB/415 100 H05Z1Z1 black	96576410	30		AC 166 ALCGS/415 100 H05Z1Z1 black	96276410	30
2 metres	AC 166 ALCGB/415 200 H05Z1Z1 white	96575420	20	2 metres	AC 166 ALCGS/415 200 H05Z1Z1 white	96275420	20
	AC 166 ALCGB/415 200 H05Z1Z1 black	96576420	20		AC 166 ALCGS/415 200 H05Z1Z1 black	96276420	20
x metres	AC 166 ALCGB/415 x00 H05Z1Z1 white	965754x0		x metres	AC 166 ALCGS/415 x00 H05Z1Z1 white	962754x0	
	AC 166 ALCGB/415 x00 H05Z1Z1 black	965764x0			AC 166 ALCGS/415 x00 H05Z1Z1 black	962764x0	
<b>Cable 2.5 mm² PVC (H05VV-F)</b>				<b>Cable 2.5 mm² PVC (H05VV-F)</b>			
1 metre	AC 166 ALCGB/425 100 white	16577410	30	1 metre	AC 166 ALCGS/425 100 white	16277410	30
	AC 166 ALCGB/425 100 black	16578410	30		AC 166 ALCGS/425 100 black	16278410	30
2 metres	AC 166 ALCGB/425 200 white	16577420	20	2 metres	AC 166 ALCGS/425 200 white	16277420	20
	AC 166 ALCGB/425 200 black	16578420	20		AC 166 ALCGS/425 200 black	16278420	20
x metres	AC 166 ALCGB/425 x00 white	165774x0		x metres	AC 166 ALCGS/425 x00 white	162774x0	
	AC 166 ALCGB/425 x00 black	165784x0			AC 166 ALCGS/425 x00 black	162784x0	
<b>Cable 2.5 mm² halogen-free (H05Z1Z1-F)</b>				<b>Cable 2.5 mm² halogen-free (H05Z1Z1-F)</b>			
1 metre	AC 166 ALCGB/425 100 H05Z1Z1 white	96577410	30	1 metre	AC 166 ALCGS/425 100 H05Z1Z1 white	96277410	30
	AC 166 ALCGB/425 100 H05Z1Z1 black	96578410	30		AC 166 ALCGS/425 100 H05Z1Z1 black	96278410	30
2 metres	AC 166 ALCGB/425 200 H05Z1Z1 white	96577420	20	2 metres	AC 166 ALCGS/425 200 H05Z1Z1 white	96277420	20
	AC 166 ALCGB/425 200 H05Z1Z1 black	96578420	20		AC 166 ALCGS/425 200 H05Z1Z1 black	96278420	20
x metres	AC 166 ALCGB/425 x00 H05Z1Z1 white	965774x0		x metres	AC 166 ALCGS/425 x00 H05Z1Z1 white	962774x0	
	AC 166 ALCGB/425 x00 H05Z1Z1 black	965784x0			AC 166 ALCGS/425 x00 H05Z1Z1 black	962784x0	



# AC 166 G 5 pole



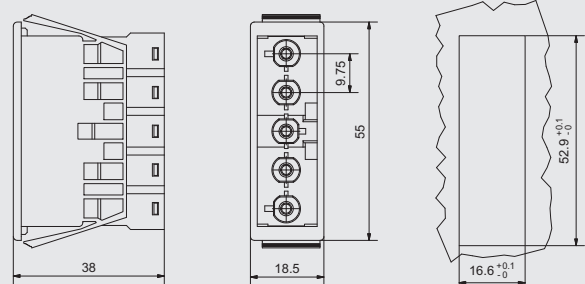
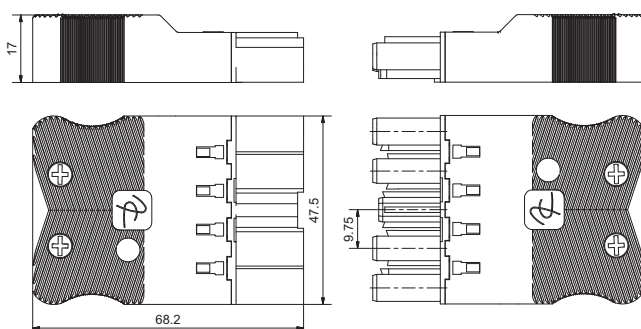
## Plugs and Sockets, flat

**Connection:** Screws  
 Conductor size 0.5 - 2.5 mm<sup>2</sup>  
**Torque Screw:** ⚙ max. 0.3 Nm conductor  
 ⚙ max. 0.4 Nm strain relief  
**Stripping Length:** 7 mm  
**Dismantling Length:** 52 mm (PE), 45 mm (1 2 N 3)  
**Important Approvals:** VDE, KEMA  
**Upon Request:** Connectors for 0.5 mm<sup>2</sup>, 0.75 mm<sup>2</sup> and 1.0 mm<sup>2</sup>

## Built-in Plugs and Built-in Sockets

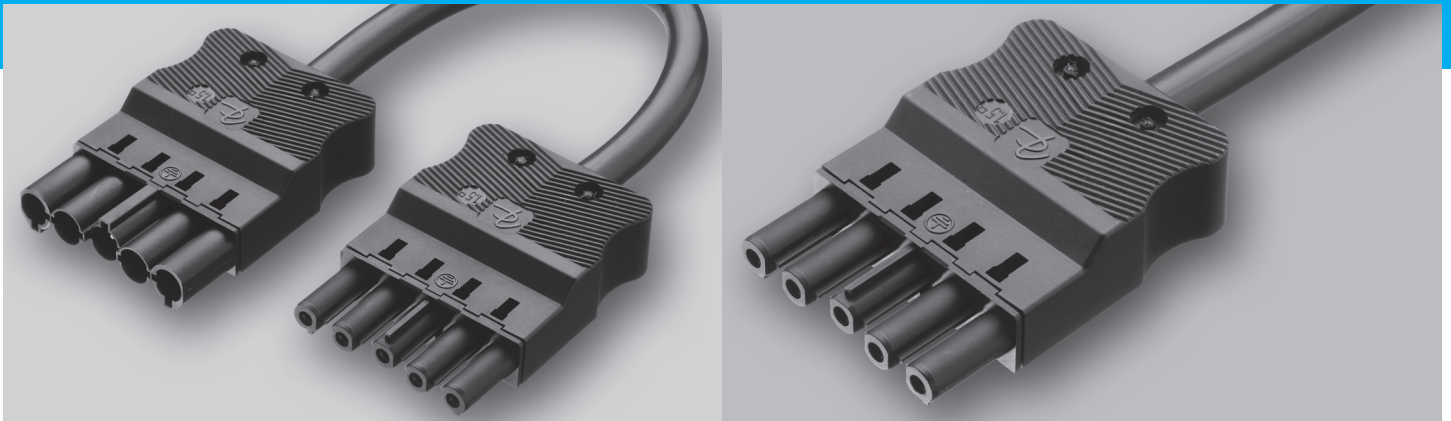
**Connection:** Clamping spring contacts, 2 clamping units per pole  
 Conductor size 0.5 - 2.5 mm<sup>2</sup>  
 solid or flexible, sealed  
 Conductor size 0.5 - 1.5 mm<sup>2</sup>  
 flexible with ferrules  
**Wall Thickness Housing:** 0.5 - 1.2 mm  
**Stripping Length:** 8 - 9 mm  
**Important Approvals:** VDE, KEMA

Description	Item	Order Number	PU	Description	Item	Order Number	PU
<b>Plugs, Connection 1.5 mm<sup>2</sup></b>				<b>Plugs without Latches</b>			
Coding 1 (1 2 PE N 3)	AC 166 GSTF/ 515 white	162455	100	Coding 1 (1 2 PE N 3)	AC 166 GEST/ 5 white	168755	100
	AC 166 GSTF/ 515 black	162465	100		AC 166 GEST/ 5 black	168765	100
<b>Plugs, Connection 2.5 mm<sup>2</sup></b>				<b>Plugs with Latches</b>			
Coding 1 (1 2 PE N 3)	AC 166 GSTF/ 525 white	162655	100	Coding 1 (1 2 PE N 3)	AC 166 GEST/ 5 white with VSE	168755V	100
	AC 166 GSTF/ 525 black	162665	100		AC 166 GEST/ 5 black with VSE	168765V	100
<b>Sockets, Connection 1.5 mm<sup>2</sup></b>				<b>Sockets without Latches</b>			
Coding 1 (3 N PE 2 1)	AC 166 GBUF/ 515 white	165455	100	Coding 1 (3 N PE 2 1)	AC 166 GEBU/ 5 white	168855	100
	AC 166 GBUF/ 515 black	165465	100		AC 166 GEBU/ 5 black	168865	100
<b>Sockets, Connection 2.5 mm<sup>2</sup></b>				<b>Sockets with Latches</b>			
Coding 1 (3 N PE 2 1)	AC 166 GBUF/ 525 white	165655	100	Coding 1 (3 N PE 2 1)	AC 166 GEBU/ 5 white with VSE	168855V	100
	AC 166 GBUF/ 525 black	165665	100		AC 166 GEBU/ 5 black with VSE	168865V	100
				<b>Latches, separately</b>			
					AC 166 VSE white	169453	100
					AC 166 VSE black	169463	100





# AC 166 G 5 pole



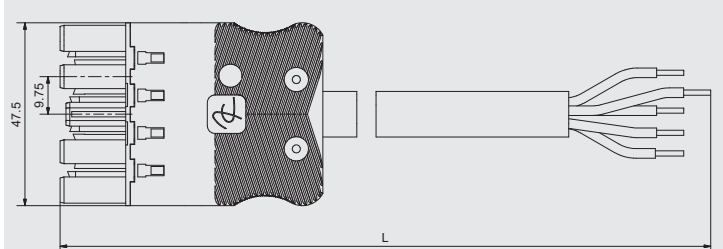
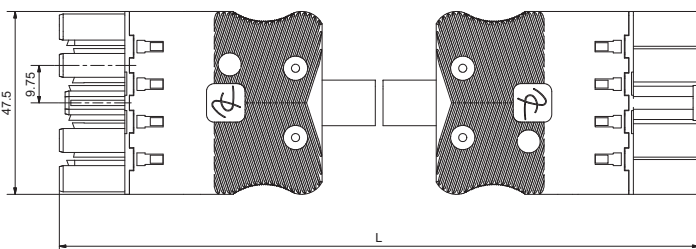
## Extension Cables

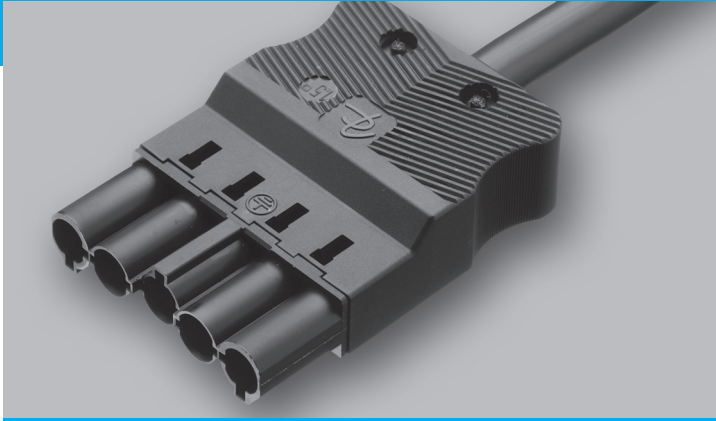
Important Approvals: VDE, KEMA  
Upon Request: different cables

## Connecting Cables with Socket

Stripping Length: 7 mm  
Dismantling Length: 52 mm  
Important Approvals: VDE, KEMA  
Upon Request: different cables, wire ends sealed (LV),  
different stripping / dismantling lengths

Description	Item	Order Number	PU	Description	Item	Order Number	PU
<b>Cable 1.5 mm<sup>2</sup> PVC (H05VV-F)</b>				<b>Cable 1.5 mm<sup>2</sup> PVC (H05VV-F)</b>			
1 metre	AC 166 VLCG/515 100 white	16475510	30	1 metre	AC 166 ALCGB/515 100 white	16575510	30
	AC 166 VLCG/515 100 black	16476510	30		AC 166 ALCGB/515 100 black	16576510	30
2 metres	AC 166 VLCG/515 200 white	16475520	20	2 metres	AC 166 ALCGB/515 200 white	16575520	20
	AC 166 VLCG/515 200 black	16476520	20		AC 166 ALCGB/515 200 black	16576520	20
x metres	AC 166 VLCG/515 x00 white	164755x0		x metres	AC 166 ALCGB/515 x00 white	165755x0	
	AC 166 VLCG/515 x00 black	164765x0			AC 166 ALCGB/515 x00 black	165765x0	
<b>Cable 1.5 mm<sup>2</sup> halogen-free (H05Z1Z1-F)</b>				<b>Cable 1.5 mm<sup>2</sup> halogen-free (H05Z1Z1-F)</b>			
1 metre	AC 166 VLCG/515 100 H05Z1Z1 white	96475510	30	1 metre	AC 166 ALCGB/515 100 H05Z1Z1 white	96575510	30
	AC 166 VLCG/515 100 H05Z1Z1 black	96476510	30		AC 166 ALCGB/515 100 H05Z1Z1 black	96576510	30
2 metres	AC 166 VLCG/515 200 H05Z1Z1 white	96475520	20	2 metres	AC 166 ALCGB/515 200 H05Z1Z1 white	96575520	20
	AC 166 VLCG/515 200 H05Z1Z1 black	96476520	20		AC 166 ALCGB/515 200 H05Z1Z1 black	96576520	20
x metres	AC 166 VLCG/515 x00 H05Z1Z1 white	964755x0		x metres	AC 166 ALCGB/515 x00 H05Z1Z1 white	965755x0	
	AC 166 VLCG/515 x00 H05Z1Z1 black	964765x0			AC 166 ALCGB/515 x00 H05Z1Z1 black	965765x0	
<b>Cable 2.5 mm<sup>2</sup> PVC (H05VV-F)</b>				<b>Cable 2.5 mm<sup>2</sup> PVC (H05VV-F)</b>			
1 metre	AC 166 VLCG/525 100 white	16477510	30	1 metre	AC 166 ALCGB/525 100 white	16577510	30
	AC 166 VLCG/525 100 black	16478510	30		AC 166 ALCGB/525 100 black	16578510	30
2 metres	AC 166 VLCG/525 200 white	16477520	20	2 metres	AC 166 ALCGB/525 200 white	16577520	20
	AC 166 VLCG/525 200 black	16478520	20		AC 166 ALCGB/525 200 black	16578520	20
x metres	AC 166 VLCG/525 x00 white	164775x0		x metres	AC 166 ALCGB/525 x00 white	165775x0	
	AC 166 VLCG/525 x00 black	164785x0			AC 166 ALCGB/525 x00 black	165785x0	
<b>Cable 2.5 mm<sup>2</sup> halogen-free (H05Z1Z1-F)</b>				<b>Cable 2.5 mm<sup>2</sup> halogen-free (H05VV-F)</b>			
1 metre	AC 166 VLCG/525 100 H05Z1Z1 white	96477510	30	1 metre	AC 166 ALCGB/525 100 H05Z1Z1 white	96577510	30
	AC 166 VLCG/525 100 H05Z1Z1 black	96478510	30		AC 166 ALCGB/525 100 H05Z1Z1 black	96578510	30
2 metres	AC 166 VLCG/525 200 H05Z1Z1 white	96477520	20	2 metres	AC 166 ALCGB/525 200 H05Z1Z1 white	96577520	20
	AC 166 VLCG/525 200 H05Z1Z1 black	96478520	20		AC 166 ALCGB/525 200 H05Z1Z1 black	96578520	20
x metres	AC 166 VLCG/525 x00 H05Z1Z1 white	964775x0		x metres	AC 166 ALCGB/525 x00 H05Z1Z1 white	965775x0	
	AC 166 VLCG/525 x00 H05Z1Z1 black	964785x0			AC 166 ALCGB/525 x00 H05Z1Z1 black	965785x0	

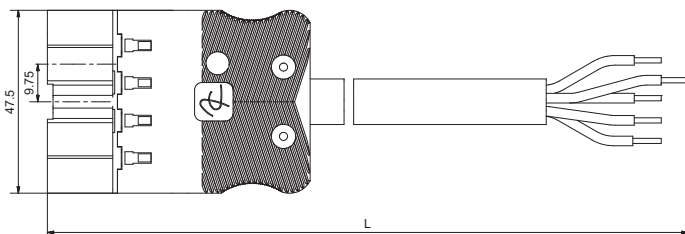




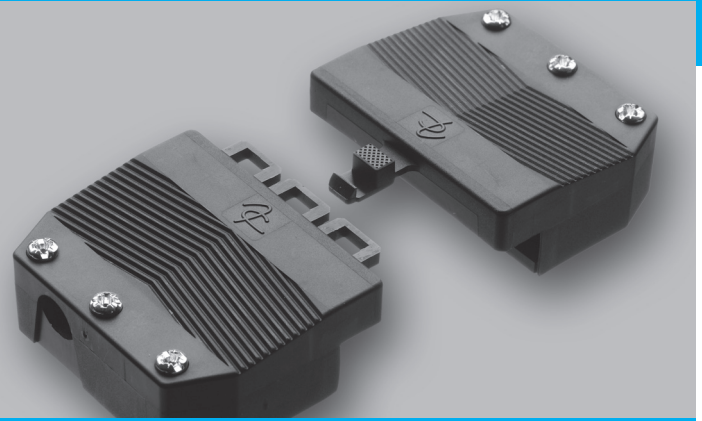
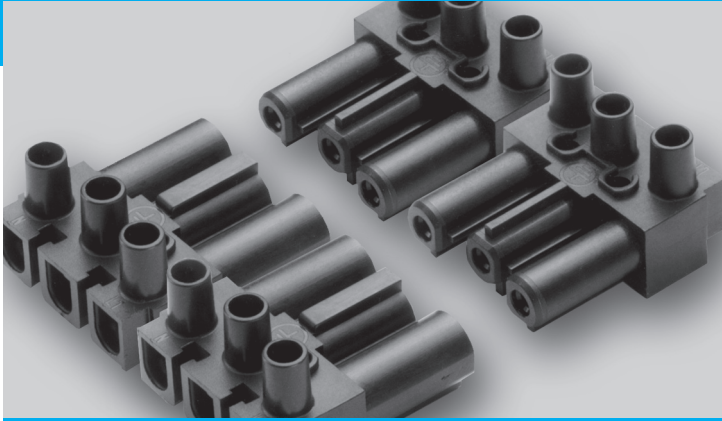
## Connecting Cables with Plug

Stripping Length: 7 mm  
 Dismantling Length: 52 mm  
 Important Approvals: VDE, KEMA  
 Upon Request: different cables, wire ends sealed (LV),  
 different stripping / dismantling lengths

Description	Item	Order Number	PU
<b>Cable 1.5 mm<sup>2</sup> PVC (H05VV-F)</b>			
1 metre	AC 166 ALCGS/515 100 white	16275510	30
	AC 166 ALCGS/515 100 black	16276510	30
2 metres	AC 166 ALCGS/515 200 white	16275520	20
	AC 166 ALCGS/515 200 black	16276520	20
x metres	AC 166 ALCGS/515 x00 white	162755x0	
	AC 166 ALCGS/515 x00 black	162765x0	
<b>Cable 1.5 mm<sup>2</sup> halogen-free (H05VV-F)</b>			
1 metre	AC 166 ALCGS/515 100 H05Z1Z1 white	96275510	30
	AC 166 ALCGS/515 100 H05Z1Z1 black	96276510	30
2 metres	AC 166 ALCGS/515 200 H05Z1Z1 white	96275520	20
	AC 166 ALCGS/515 200 H05Z1Z1 black	96276520	20
x metres	AC 166 ALCGS/515 x00 H05Z1Z1 white	962755x0	
	AC 166 ALCGS/515 x00 H05Z1Z1 black	962765x0	
<b>Cable 2.5 mm<sup>2</sup> PVC (H05VV-F)</b>			
1 metre	AC 166 ALCGS/525 100 white	16277510	30
	AC 166 ALCGS/525 100 black	16278510	30
2 metres	AC 166 ALCGS/525 200 white	16277520	20
	AC 166 ALCGS/525 200 black	16278520	20
x metres	AC 166 ALCGS/525 x00 white	162775x0	
	AC 166 ALCGS/525 x00 black	162785x0	
<b>Cable 2.5 mm<sup>2</sup> halogen-free (H05Z1Z1-F)</b>			
1 metre	AC 166 ALCGS/525 100 H05Z1Z1 white	96277510	30
	AC 166 ALCGS/525 100 H05Z1Z1 black	96278510	30
2 metres	AC 166 ALCGS/525 200 H05Z1Z1 white	96277520	20
	AC 166 ALCGS/525 200 H05Z1Z1 black	96278520	20
x metres	AC 166 ALCGS/525 x00 H05Z1Z1 white	962775x0	
	AC 166 ALCGS/525 x00 H05Z1Z1 black	962785x0	



# AC 166 G 6 pole



## Plugs and Sockets

Connection: 6 pole plug and socket connectors, consisting of two high type 3 pole plug and socket connectors  
Screws  
Conductor size 0.5 - 2.5 mm<sup>2</sup>

Torque Screw:  $\cup$  max. 0,5 Nm

Stripping Length: 7 mm

Important Approvals: VDE, KEMA, UL

Upon Request: with strain relief assembled

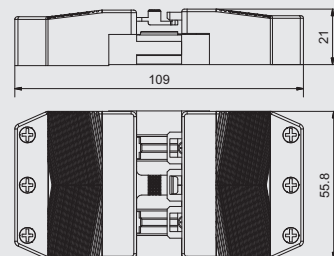
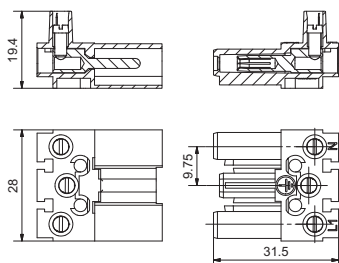
## Strain Reliefs

Connection: Cable outlet for one or two round conductors  
 $\varnothing$  8.5 - 11,0 mm

Torque Screw:  $\cup$  max. 0.4 Nm

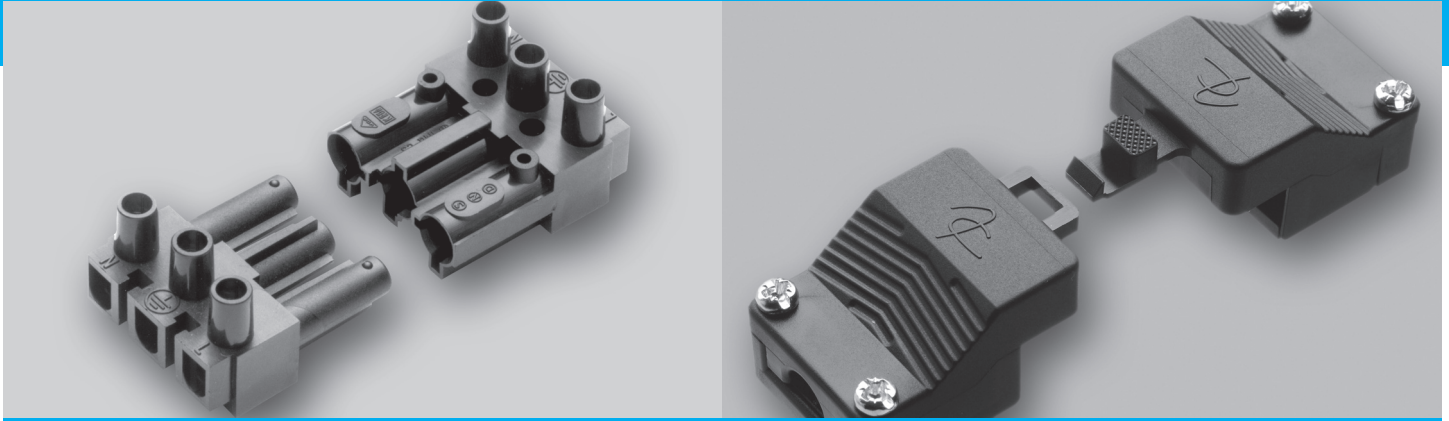
Dismantling Length: 32 mm with 2 x 3 wire  
50 mm with 1 x 6 wire  
PE leading by 7 mm

Description	Item	Order Number	PU	Description	Item	Order Number	PU
<b>Plugs</b>				without interlocking			
Coding 1 (L PE N)	AC 166 GST/ 3 white	162053	200		AC 166-1/ 6 ZEL R white	166056	200
	AC 166 GST/ 3 black	162063	200		AC 166-1/ 6 ZEL R black	166066	200
Coding 2 (L PE N)	AC 166 GST/ 3 pebble grey	162003	200	with hook for plugs	AC 166-1/ 6 ZEL RH white	166056H	200
					AC 166-1/ 6 ZEL RH black	166066H	200
<b>Sockets</b>				with eye for sockets			
Coding 1 (N PE L)	AC 166 GBU/ 3 white	165053	200		AC 166-1/ 6 ZEL RO white	1660560	200
	AC 166 GBU/ 3 black	165063	200		AC 166-1/ 6 ZEL RO black	1660660	200
Coding 2 (N PE L)	AC 166 GBU/ 3 pebble grey	165003	200				





# AC 166-1 Classic 3 pole



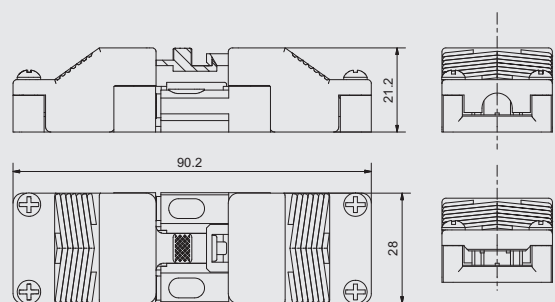
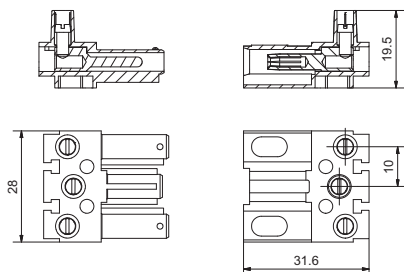
## Plugs and Sockets

Connection: Screws  
 Conductor size 0.5 - 2.5 mm<sup>2</sup>  
 Torque Screw: ⚡ max. 0.5 Nm  
 Stripping Length: 7 mm  
 Important Approvals: VDE, UL  
 Upon Request: with strain relief assembled

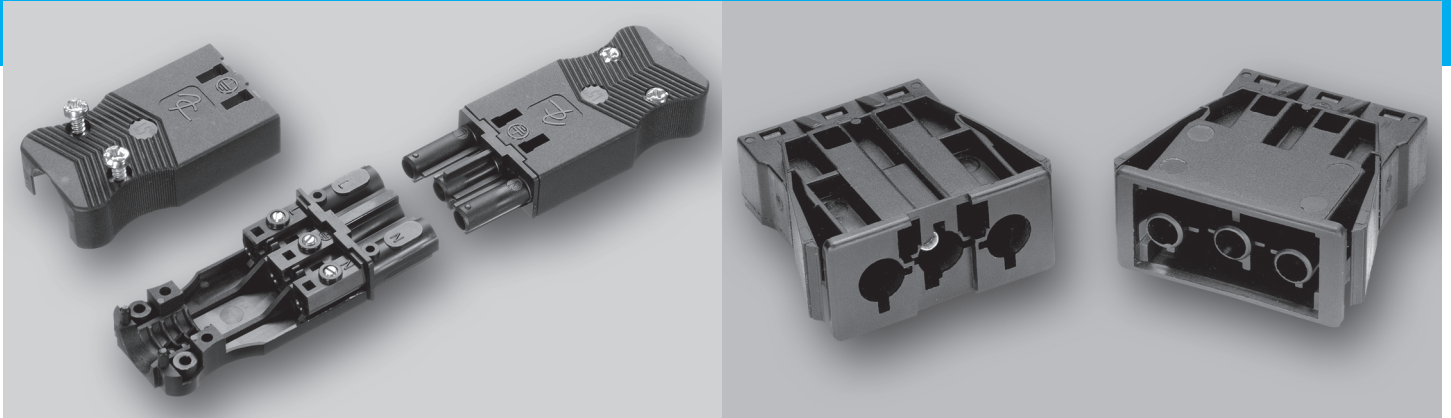
## Strain Reliefs

Connection: Cable outlet  
 Type "R": round conductor Ø 6.5 - 8.3 mm  
 Type "F": 2 round conductors up to Ø 4.5 mm  
 Type "F": flat conductor up to 4.5 mm  
 Torque Screw: ⚡ max. 0.4 Nm  
 Dismantling Length: 33 mm  
 PE leading by 7 mm

Description	Item	Order Number	PU	Description	Item	Order Number	PU
Plugs	AC 166-1 ST/ 3 white	160053	200	<b>Type "R"</b>			
	AC 166-1 ST/ 3 black	160063	200	without interlocking	AC 166-1/ 3 ZEL R white	166053	200
Sockets	AC 166-1 BU/ 3 white	163053	200		AC 166-1/ 3 ZEL R black	166063	200
	AC 166-1 BU/ 3 black	163063	200	with hook for plugs	AC 166-1/ 3 ZEL RH white	166053H	200
					AC 166-1/ 3 ZEL RH black	166063H	200
				with eye for sockets	AC 166-1/ 3 ZEL RO white	1660530	200
					AC 166-1/ 3 ZEL RO black	1660630	200
				for latches	AC 166-1/ 3 ZEL RV white	166053V	200
					AC 166-1/ 3 ZEL RV black	166063V	200
				<b>Type "F"</b>			
				without interlocking	AC 166-1/ 3 ZEL F white	166153	200
					AC 166-1/ 3 ZEL F black	166163	200
				with hook for plugs	AC 166-1/ 3 ZEL FH white	166153H	200
					AC 166-1/ 3 ZEL FH black	166163H	200
				with eye for sockets	AC 166-1/ 3 ZEL FO white	1661530	200
					AC 166-1/ 3 ZEL FO black	1661630	200
				for latches	AC 166-1/ 3 ZEL FV white	166153V	200
					AC 166-1/ 3 ZEL FV black	166163V	200



# AC 166 Classic 3 pole



## Plugs and Sockets, flat

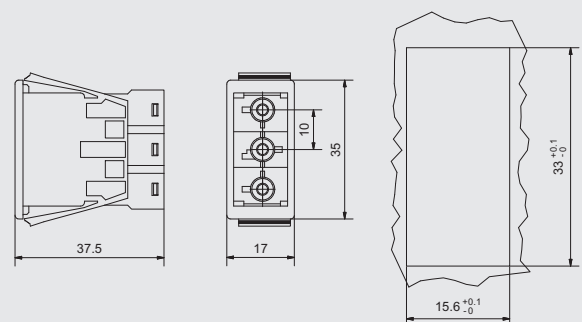
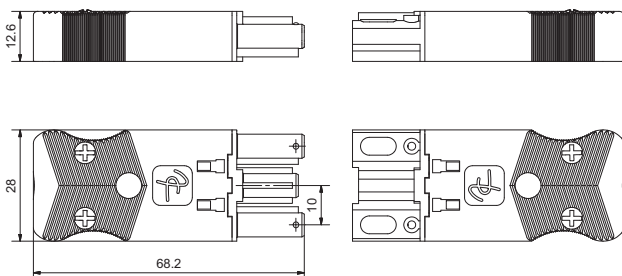
**Connection:** Screws  
 Conductor size 0.5 - 2.5 mm<sup>2</sup>  
**Torque Screw:** ⤵ max. 0.3 Nm conductor  
 ⤵ max. 0.4 Nm strain relief  
**Stripping Length:** 7 mm  
**Dismantling Length:** 39 mm (PE), 32 mm (L N)  
**Important Approvals:** VDE, KEMA, UL  
**Upon Request:** Connectors for 0.5 mm<sup>2</sup>, 0.75 mm<sup>2</sup>, 1.0 mm<sup>2</sup> and 2.5 mm<sup>2</sup>

## Built-in Plugs and Built-in Sockets

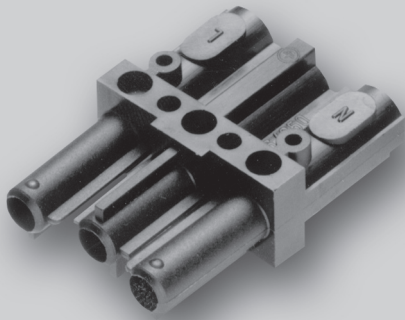
**Connection:** Clamping spring contacts, 2 clamping units per pole  
 Conductor size 0.5 - 2.5 mm<sup>2</sup>  
 solid or flexible, sealed  
 flexible with ferrules  
 Conductor size 0.5 - 1.5 mm<sup>2</sup>  
**Wall Thickness Housing:** 0.5 - 1.2 mm  
**Stripping Length:** 8 - 9 mm  
**Important Approvals:** VDE, UL

Description	Item	Order Number	PU
Plugs	AC 166 STF/ 315 white	161053	200
	AC 166 STF/ 315 black	161063	200
Sockets	AC 166 BUF/ 315 white	164053	200
	AC 166 BUF/ 315 black	164063	200

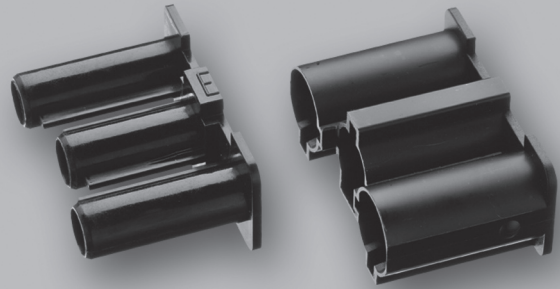
Description	Item	Order Number	PU
<b>Plugs</b>			
without latches	AC 166 EST/ 3 white	168553	200
	AC 166 EST/ 3 black	168563	200
with latches	AC 166 EST/ 3 white with VSE	168553V	200
	AC 166 EST/ 3 black with VSE	168563V	200
<b>Sockets</b>			
without latches	AC 166 EBU/ 3 white	168653	200
	AC 166 EBU/ 3 black	168663	200
with latches	AC 166 EBU/ 3 white with VSE	168653V	200
	AC 166 EBU/ 3 black with VSE	168663V	200
<b>Latches, separately</b>			
	AC 166 VSE white	169453	100
	AC 166 VSE black	169463	100



# AC 166 Classic 3 pole

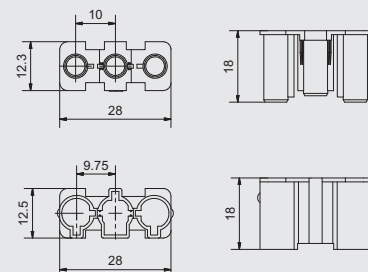
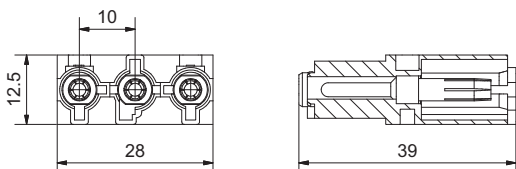


**Connecting Links**

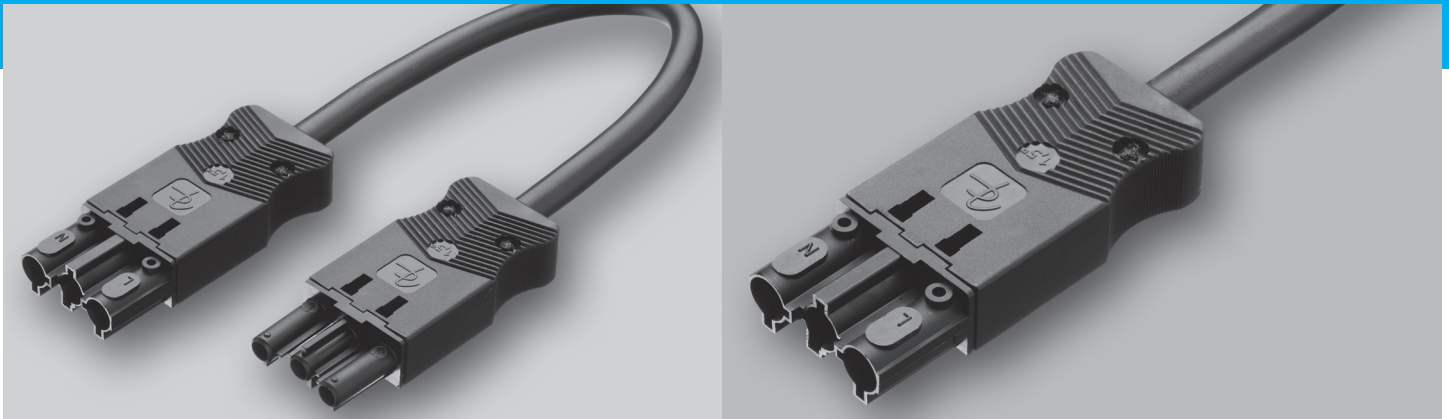


**Protective Caps**

Description	Item	Order Number	PU	Description	Item	Order Number	PU
Coding 1	AC 166 KU/ 3 white	166953	200	for plugs	AC 166 VKE/ 3 white	169153	100
	AC 166 KU/ 3 black	166963	200		AC 166 VKE/ 3 black	169163	100
				for sockets	AC 166 VKH/ 3 white	169253	100
					AC 166 VKH/ 3 black	169263	100



# AC 166 Classic 3 pole



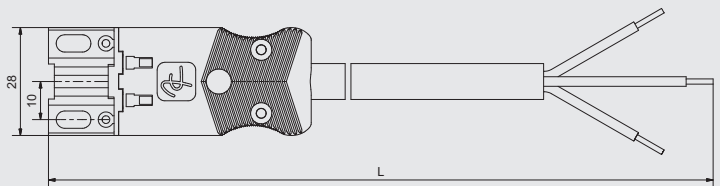
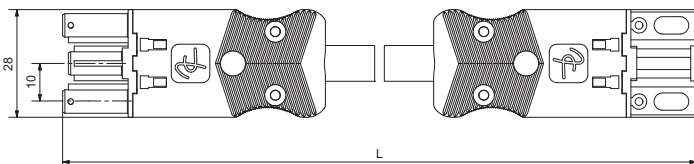
## Extension Cables

Important Approvals: VDE, KEMA  
 Upon Request: different cables

## Connecting Cables with Socket

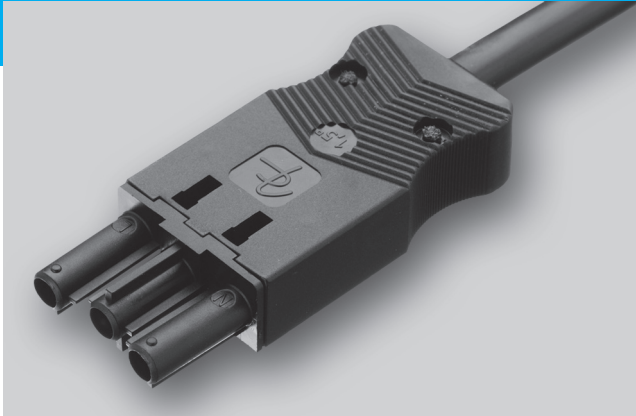
Stripping Length: 7 mm  
 Dismantling Length: 39 mm  
 Important Approvals: VDE, KEMA  
 Upon Request: different cables, wire ends sealed (LV),  
 different stripping / dismantling lengths

Description	Item	Order Number	PU	Description	Item	Order Number	PU
<b>Cable 1.5 mm<sup>2</sup> PVC (H05VV-F)</b>				<b>Cable 1.5 mm<sup>2</sup> PVC (H05VV-F)</b>			
1 metre	AC 166 VLQ/315 100 white	16175310	75	1 metre	AC 166 ALCB/315 100 white	16425310	75
	AC 166 VLQ/315 100 black	16176310	75		AC 166 ALCB/315 100 black	16426310	75
2 metres	AC 166 VLQ/315 200 white	16175320	50	2 metres	AC 166 ALCB/315 200 white	16425320	50
	AC 166 VLQ/315 200 black	16176320	50		AC 166 ALCB/315 200 black	16426320	50
x metres	AC 166 VLQ/315 x00 white	161753x0		x metres	AC 166 ALCB/315 x00 white	164253x0	
	AC 166 VLQ/315 x00 black	161763x0			AC 166 ALCB/315 x00 black	164263x0	



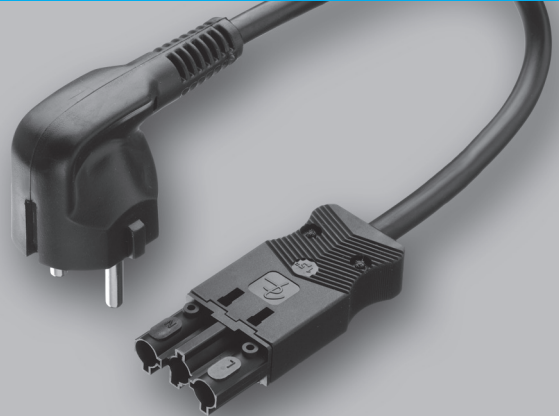


# AC 166 Classic 3 pole



## Connecting Cables with Plug

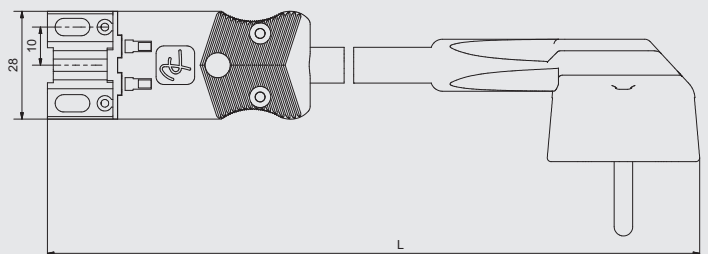
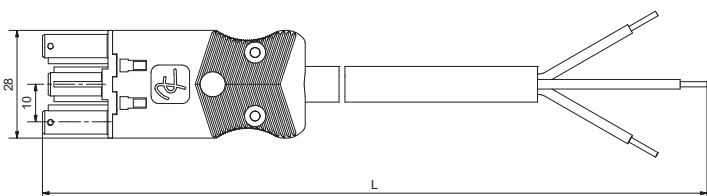
Stripping Length: 7 mm  
 Dismantling Length: 39 mm  
 Important Approvals: VDE, KEMA  
 Upon Request: different cables, wire ends sealed (LV),  
 different stripping / dismantling lengths



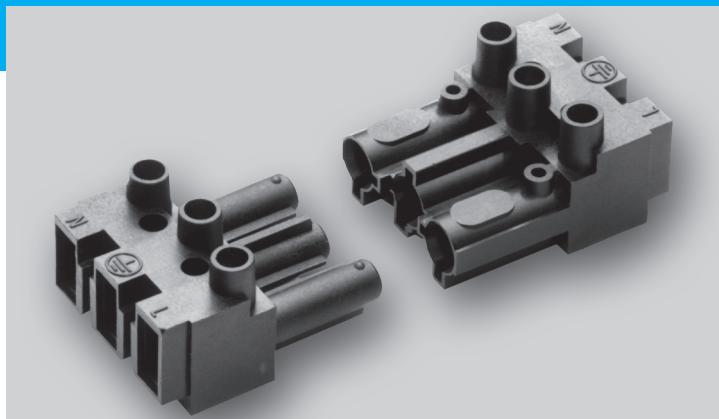
## Mains Cables with Socket

Upon Request: straight earthing type plug, cable size 2.5 mm<sup>2</sup>,  
 halogen-free cables

Description	Item	Order Number	PU	Description	Item	Order Number	PU
<b>Cable 1.5 mm<sup>2</sup> PVC (H05VV-F)</b>				<b>Cable 1,5 mm<sup>2</sup> PVC (H05VV-F) with rectangular Earthing Type Plug</b>			
1 metre	AC 166 ALCS/315 100 white	16125310	75	1 metre	AC 166 NLCB/315 100 white	97565310	75
	AC 166 ALCS/315 100 black	16126310	75		AC 166 NLCB/315 100 black	97566310	75
2 metres	AC 166 ALCS/315 200 white	16125320	50	2 metres	AC 166 NLCB/315 200 white	97565320	50
	AC 166 ALCS/315 200 black	16126320	50		AC 166 NLCB/315 200 black	97566320	50
x metres	AC 166 ALCS/315 x00 white	161253x0		x metres	AC 166 NLCB/315 x00 white	975653x0	
	AC 166 ALCS/315 x00 black	161263x0			AC 166 NLCB/315 x00 black	975663x0	

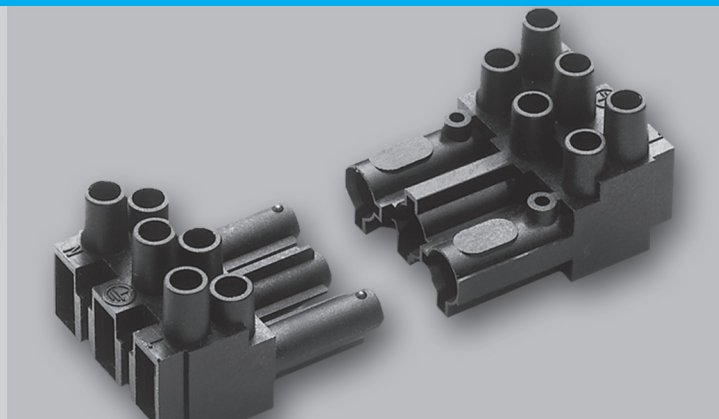


# AC 166-A Classic 2 - 5 pole



## Plugs and Sockets

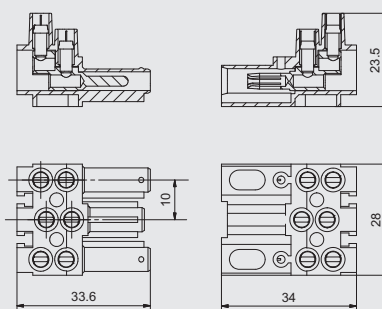
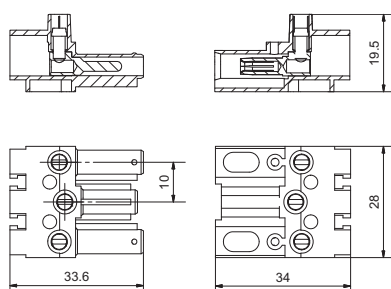
Connection: Screws  
 Conductor size 0.5 - 2.5 mm<sup>2</sup>  
 Torque Screw: ⚙ max. 0.5 Nm  
 Stripping Length: 7 mm  
 Important Approvals: VDE, UL  
 Upon Request: with strain relief assembled



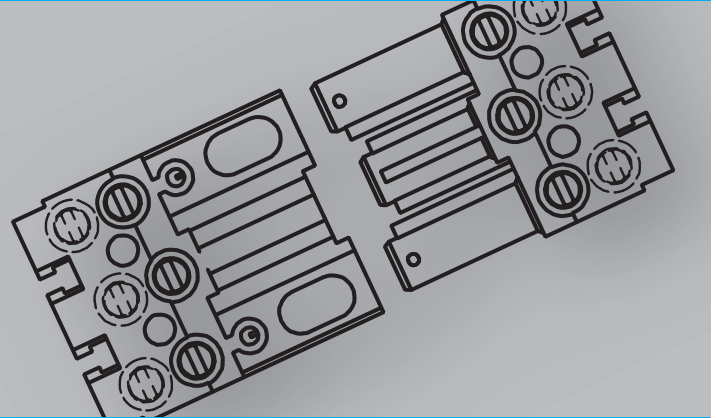
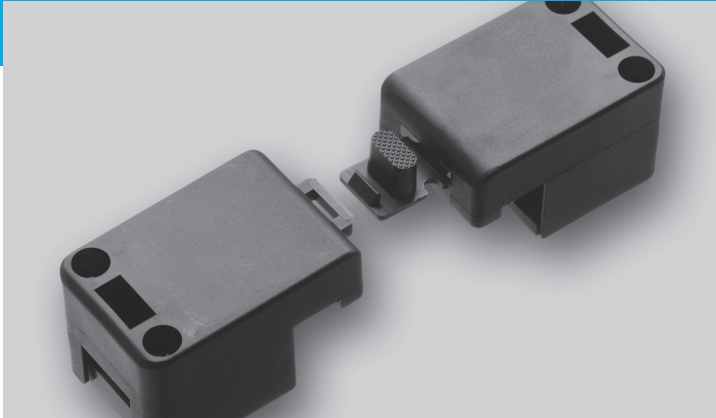
## Plugs and Sockets

Connection: double connection  
 two screws per pole  
 Conductor size 0.5 - 2.5 mm<sup>2</sup>  
 Torque Screw: ⚙ max. 0.5 Nm  
 Stripping Length: 7 mm  
 Important Approvals: VDE, UL  
 Upon Request: with strain relief assembled

Description	Item	Order Number	PU	Description	Item	Order Number	PU
<b>Plugs</b>				<b>Plugs</b>			
2 pole	AC 166-A ST/ 2 white	160352	250	2 pole	AC 166-A STD/ 2 white	160552	250
	AC 166-A ST/ 2 black	160362	250		AC 166-A STD/ 2 black	160562	250
3 pole	AC 166-A ST/ 3 white	160353	200	3 pole	AC 166-A STD/ 3 white	160553	200
	AC 166-A ST/ 3 black	160363	200		AC 166-A STD/ 3 black	160563	200
4 pole	AC 166-A ST/ 4 white	160354	150	4 pole	AC 166-A STD/ 4 white	160554	150
	AC 166-A ST/ 4 black	160364	150		AC 166-A STD/ 4 black	160564	150
5 pole	AC 166-A ST/ 5 white	160355	100	5 pole	AC 166-A STD/ 5 white	160555	100
	AC 166-A ST/ 5 black	160365	100		AC 166-A STD/ 5 black	160565	100
<b>Sockets</b>				<b>Sockets</b>			
2 pole	AC 166-A BU/ 2 white	163352	250	2 pole	AC 166-A BUD/ 2 white	163552	250
	AC 166-A BU/ 2 black	163362	250		AC 166-A BUD/ 2 black	163562	250
3 pole	AC 166-A BU/ 3 white	163353	200	3 pole	AC 166-A BUD/ 3 white	163553	200
	AC 166-A BU/ 3 black	163363	200		AC 166-A BUD/ 3 black	163563	200
4 pole	AC 166-A BU/ 4 white	163354	150	4 pole	AC 166-A BUD/ 4 white	163554	150
	AC 166-A BU/ 4 black	163364	150		AC 166-A BUD/ 4 black	163564	150
5 pole	AC 166-A BU/ 5 white	163355	100	5 pole	AC 166-A BUD/ 5 white	163555	100
	AC 166-A BU/ 5 black	163365	100		AC 166-A BUD/ 5 black	163565	100



# AC 166-A Classic 2 - 5 pole



## Strain Reliefs

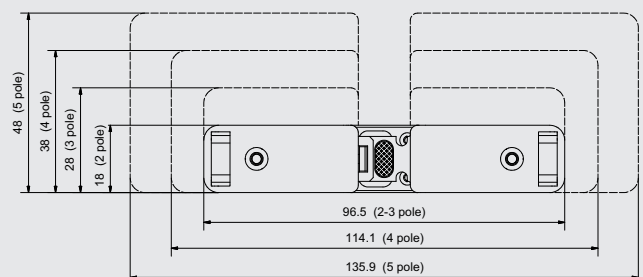
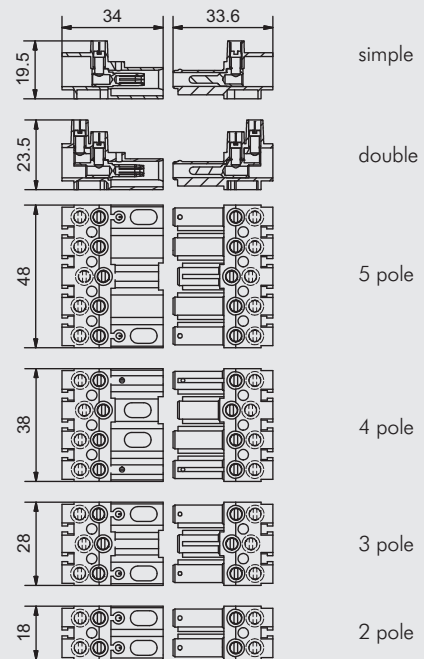
Connection: Cable outlet for round conductors  
 2 pole: Ø 5.5 - 7.5 mm  
 3-pole: Ø 6.5 - 9.0 mm  
 4-pole: Ø 7.5 - 10.5 mm  
 5-pole: Ø 8.5 - 11.0 mm

Torque Screw: ⚙ max. 0.4 Nm

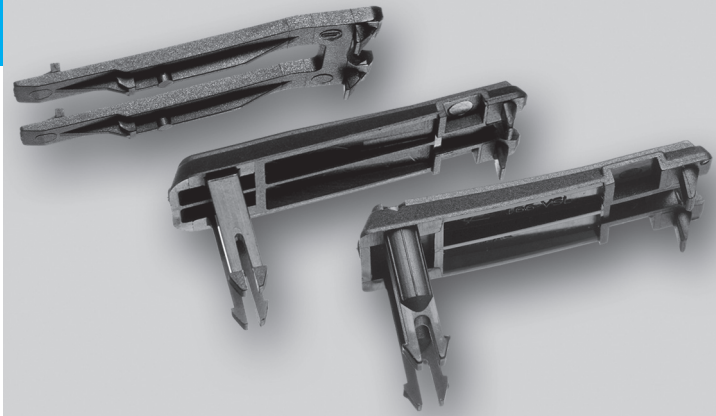
Dismantling Length: 2 pole: 30 mm  
 3 pole: 33 mm (PE), 26 mm (L N)  
 4 pole: 42 mm (PE), 35 mm (1 N 2)  
 5 pole: 52 mm (PE), 45 mm (1 2 N 3)

## Dimensions

Description	Item	Order Number	PU
<b>without Interlocking</b>			
2 pole	AC 166-A ZEL/ 2 white	166652	250
	AC 166-A ZEL/ 2 black	166662	250
3 pole	AC 166-A ZEL/ 3 white	166653	200
	AC 166-A ZEL/ 3 black	166663	200
4 pole	AC 166-A ZEL/ 4 white	166654	150
	AC 166-A ZEL/ 4 black	166664	150
5 pole	AC 166-A ZEL/ 5 white	166655	100
	AC 166-A ZEL/ 5 black	166665	100
<b>with moulded Hook for Plugs</b>			
2 pole	AC 166-A ZEL/ 2 H white	166652H	250
	AC 166-A ZEL/ 2 H black	166662H	250
3 pole	AC 166-A ZEL/ 3 H white	166653H	200
	AC 166-A ZEL/ 3 H black	166663H	200
4 pole	AC 166-A ZEL/ 4 H white	166654H	150
	AC 166-A ZEL/ 4 H black	166664H	150
5 pole	AC 166-A ZEL/ 5 H white	166655H	100
	AC 166-A ZEL/ 5 H black	166665H	100
<b>with Eye for Sockets</b>			
2 pole	AC 166-A ZEL/ 2 0 white	1666520	250
	AC 166-A ZEL/ 2 0 black	1666620	250
3 pole	AC 166-A ZEL/ 3 0 white	1666530	200
	AC 166-A ZEL/ 3 0 black	1666630	200
4 pole	AC 166-A ZEL/ 4 0 white	1666540	150
	AC 166-A ZEL/ 4 0 black	1666640	150
5 pole	AC 166-A ZEL/ 5 0 white	1666550	100
	AC 166-A ZEL/ 5 0 black	1666650	100

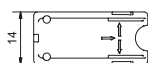
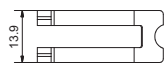
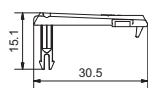
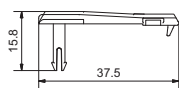
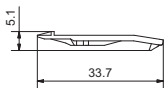


# AC 166



## Latches

Description	Item	Order Number	PU
for built-in plugs and sockets	AC 166 VSE white	169453	100
	AC 166 VSE black	169463	100
for flat plug and socket connectors	AC 166 VSF white	169553	100
	AC 166 VSF black	169563	100
for solder connectors	AC 166 VSL black	169564	100

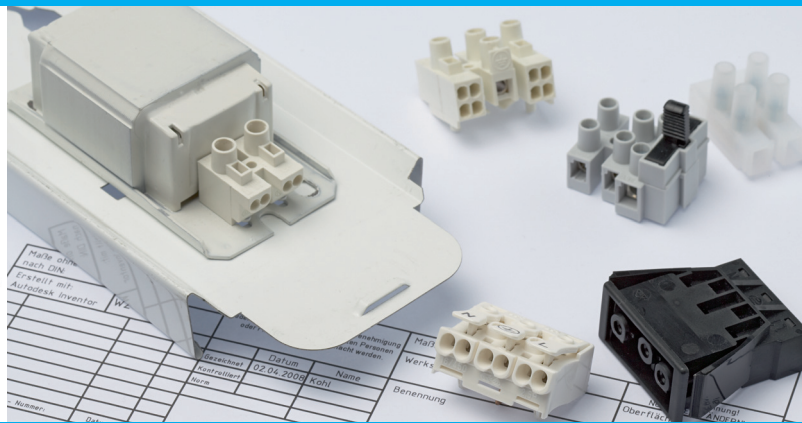


VSE

VSF

VSL





## "Standard" Sample Box

Industries:	Lighting, electrical appliances, electrical installation
Contents:	Europa series terminal blocks Luminaires connectors Screw-screwless connectors Plug and socket connectors Porcelain connectors
Order no.:	589102
Charge Fee:	20 Euro

## Catalogues, General Terms and Conditions

The entire ADELS product range is visualized on our website as well as in two print catalogues:

[Main Catalogue](#)

[Catalogue AC 166](#)

Our deliveries are based on our general conditions for the supply of products and services as well as on our payment terms.

Please see [www.adels-contact.de/Contact/GTC](http://www.adels-contact.de/Contact/GTC).

All information given herein is non-binding and relevant on the date of publication. It is subject to alterations without prior notice.



[www.adels-contact.de](http://www.adels-contact.de)

- Terminal Blocks and Connectors for Luminaires of Superior Quality
- Screw and Screwless Connectors for Ballasts
- Mains Supply Connectors for Electrical Appliances
- Transformer Connectors
- Print Connectors for Electronic Applications
- Connecting Systems for Building Technology

**ADELS**  
contact

Adels-Contact  
Elektrotechnische Fabrik  
GmbH & Co. KG

Buchholzstraße 40-46  
D-51469 Bergisch Gladbach · Germany

Phone: +49 22 02 95 34 - 0  
Fax: +49 22 02 95 34 88  
E-Mail: [info@adels-contact.de](mailto:info@adels-contact.de)  
Internet: [www.adels-contact.de](http://www.adels-contact.de)

