

LOC	DIST	REVISIONS					
A	7	P	LTR	DESCRIPTION	DATE	DWN	APVD
		A		ECR-09-011384	5-2009	MY	TM

PART NUMBER	REV	FIRST USED
2-601966-1	A	-


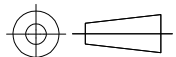
CUSTOMER  
DRAWING  
DOES NOT EXIST

THIS DRAWING IS UNPUBLISHED.

ALL INTERNATIONAL RIGHTS RESERVED.

BY TYCO ELECTRONICS CORPORATION.

© COPYRIGHT

DIMENSIONS: INCHES	DWN	M.YOUNGER	18MAY2009	MATERIAL	-	FINISH	-	
	CHK	R.SCHAEFFER	19MAY2009	 Tyco Electronics Corporation Harrisburg, PA 17105-3608				
TOLERANCES UNLESS OTHERWISE SPECIFIED:		APVD	R.SCHAEFFER					19MAY2009
0 PLC ± -	PRODUCT SPEC		NAME					
1 PLC ± -	-		POSITIONER, M22520/2-14					
2 PLC ± .02	APPLICATION SPEC		-					
3 PLC ± .005	-		SIZE	CAGE CODE	DRAWING NO	RESTRICTED TO		
4 PLC ± -	WEIGHT		A4	00779	C-2-601966-1	-		
ANGLES ± 0°30'	-		CUSTOMER DRAWING				SCALE	NTS
						SHEET	1 OF 1	
						REV	A	