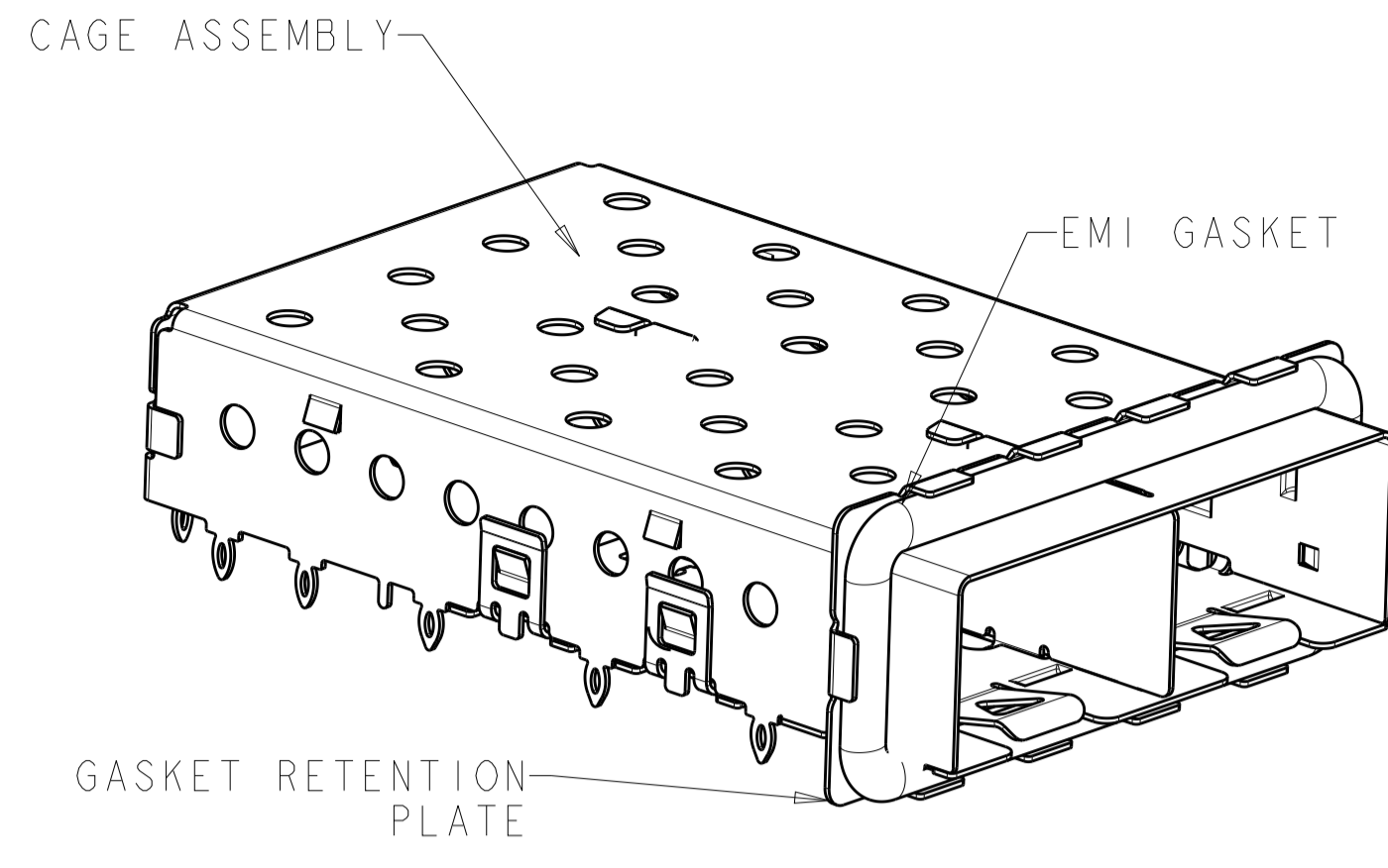
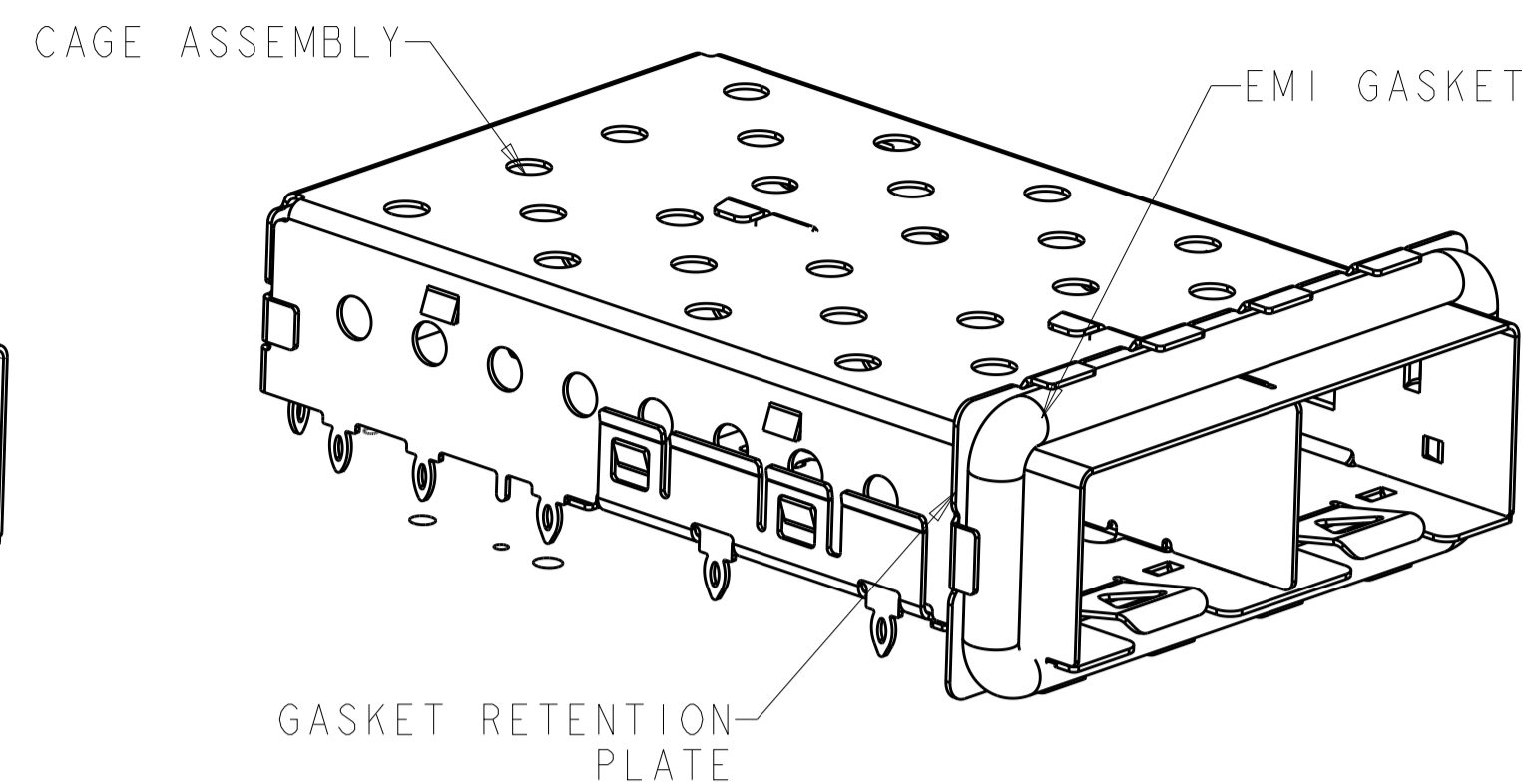


LOC	DIST	REVISIONS					
GP	00	P	LTN	DESCRIPTION	DATE	DWN	APVD
		D1		REVISED PER ECO-11-004835	11MAR2011	RK	HMR
		E		REVISED PER ECO-12-014021	10DEC2012	TD	AC
		E1		REVISED PER ECO-14-004940	28MAR2014	PP	SH

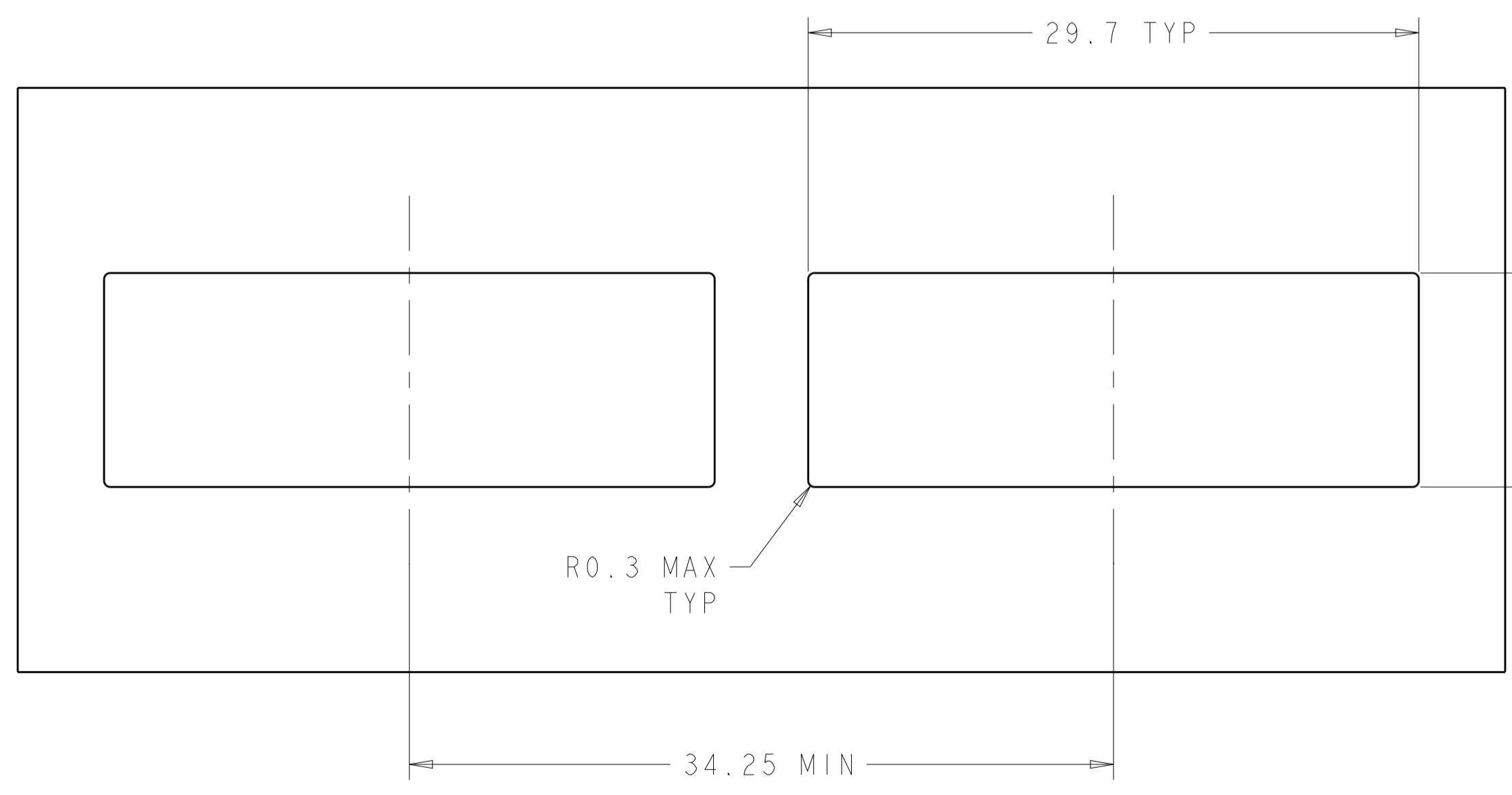
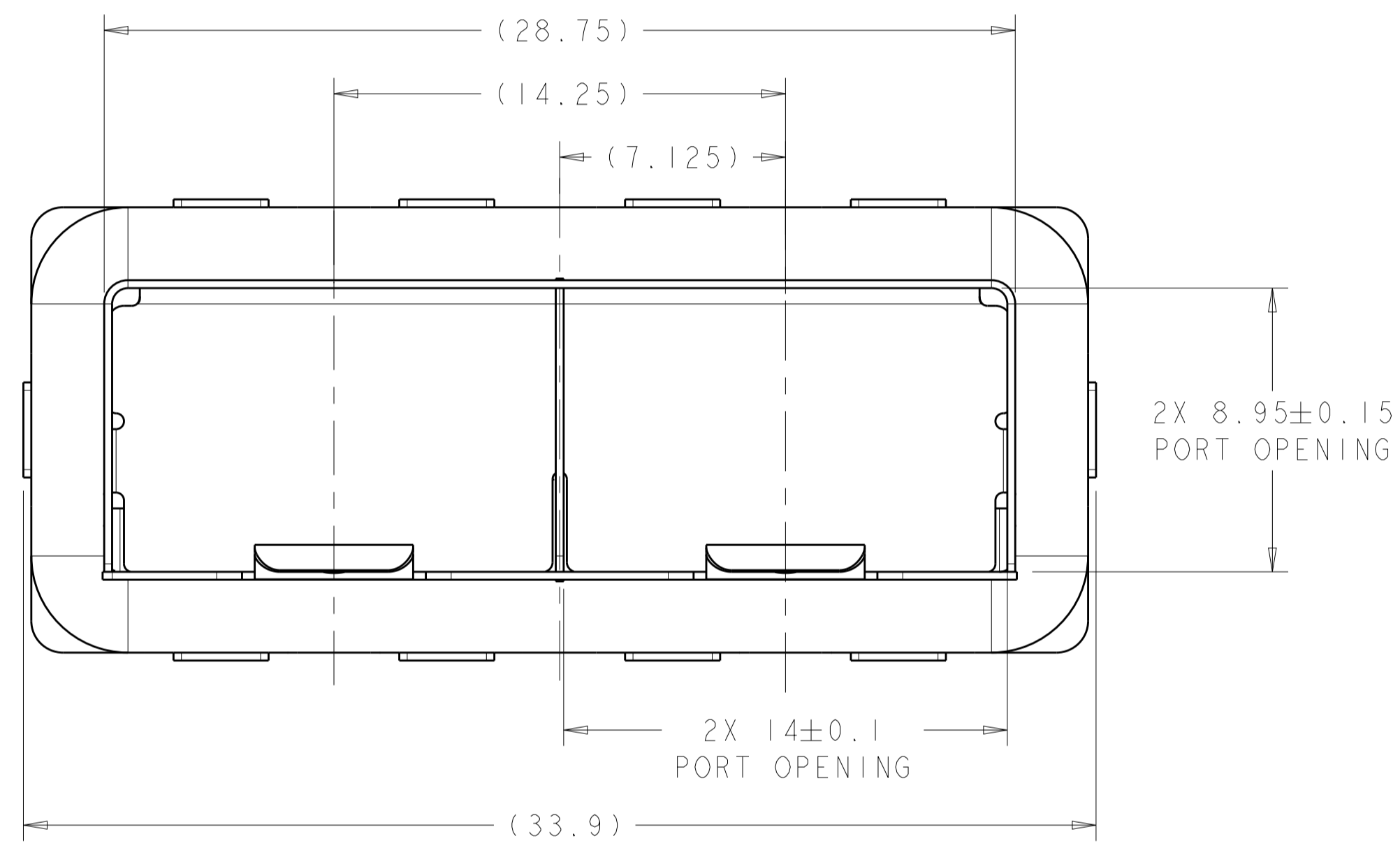


2007181-1
SCALE 3:1



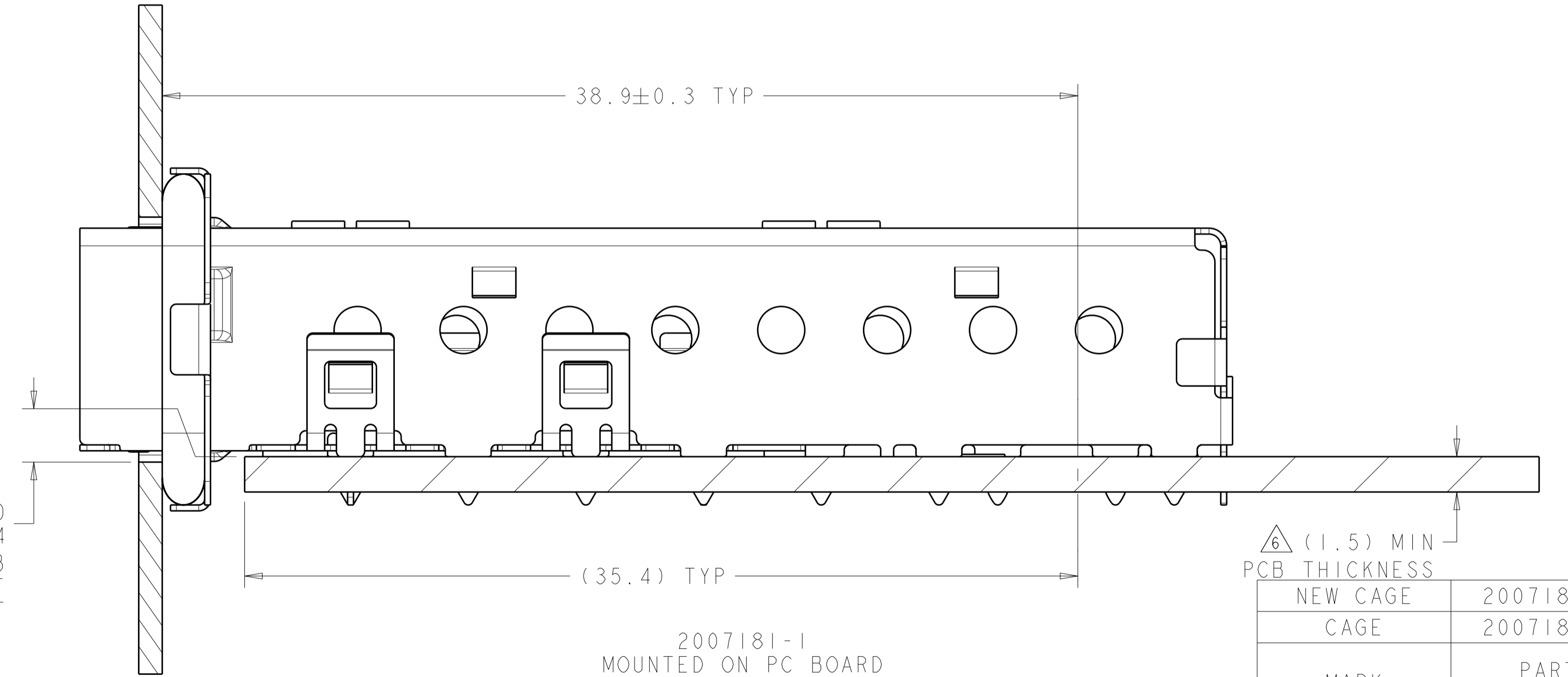
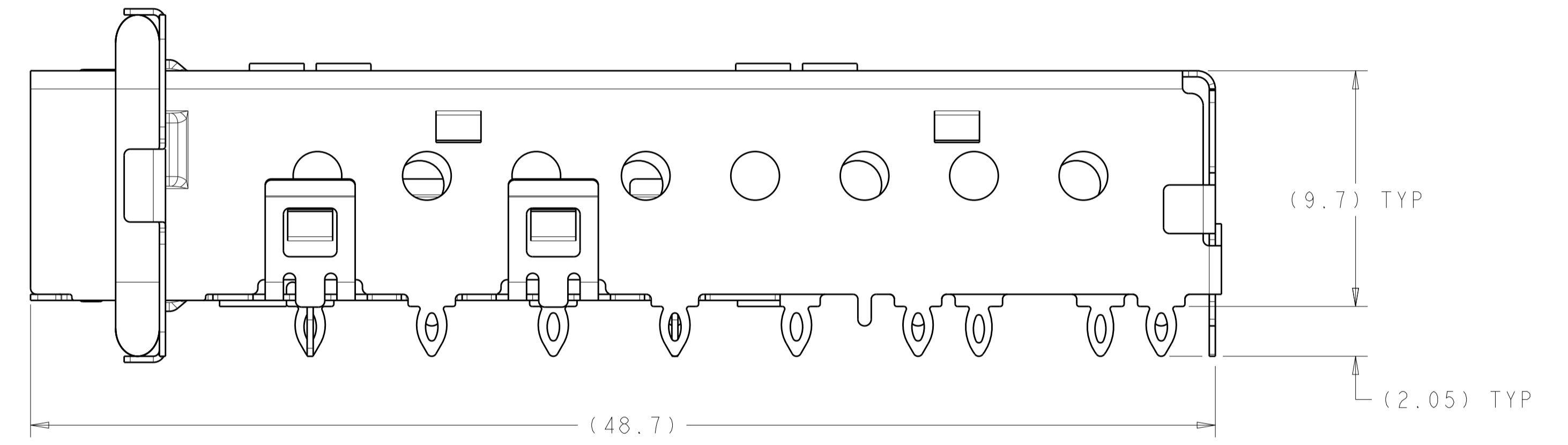
2007181-3
SCALE 3:1

- 1 MATERIAL:
 CAGE ASSEMBLY - 0.25mm THICK NICKEL SILVER ALLOY
 GASKET RETENTION PLATE - STAINLESS STEEL
 EMI GASKET - PLATED FILLED SILICONE
- 2 DATUM AND BASIC DIMENSION ESTABLISHED BY CUSTOMER.
3. MATES WITH SFP MSA COMPLIANT TRANSCEIVERS.
- 4 PADS AND VIAS CHASSIS GROUND.
5. INTERPRETATION OF DATUM REFERENCE FRAME IN ACCORDANCE WITH SECT 4.4.1.1 OF ASME Y14.5M-1994.
- 6 MINIMUM PC BOARD THICKNESS = 1.50mm.
- 7 HOLE PATTERN REPEATS FOR EACH PORT, SPACING BETWEEN PORTS IS 14.25mm.
- 8 REFERENCE APPLICATION SPEC. 114-13120, HOLE A, FOR RECOMMENDED DRILL HOLE DIAMETER AND PLATING THICKNESS.
- 9 REFERENCE APPLICATION SPEC. 114-13120, HOLE B, FOR RECOMMENDED DRILL HOLE DIAMETER AND PLATING THICKNESS.
10. PRODUCT COMPLIES WITH SPECIFICATION SFF-8433 IMPROVED PLUGGABLE FORM FACTOR FOR SFP+ GANGED CAGES.



RECOMMENDED BEZEL CUT-OUT
SCALE 4:1

0.23^{+0.10}_{-0.14}
TOP OF PCB
TO INSIDE OF
BEZEL CUT-OUT



2007181-1
MOUNTED ON PC BOARD
SHOWN THRU RECOMMENDED BEZEL

NEW CAGE	2007181-3
CAGE	2007181-1
MARK	PART NUMBER

THIS DRAWING IS A CONTROLLED DOCUMENT.		DWN	M. SCHMITT	17JUL2007
DIMENSIONS:		CHK	M. SCHMITT	17JUL2007
mm	0 PLC ±0.1	APVD	B. WERTZ	17JUL2007
	1 PLC ±0.1	NAME		
	2 PLC ±0.1	PRODUCT SPEC		
	3 PLC ±0.1	108-2364		
	4 PLC ±0.1	APPLICATION SPEC		
	ANGLES ±0.1	114-13120		
MATERIAL	FINISH	WEIGHT	A100779C=2007181	
			Customer Drawing	
		SCALE	6:1	SHEET 1 OF 2
		REV	E1	



