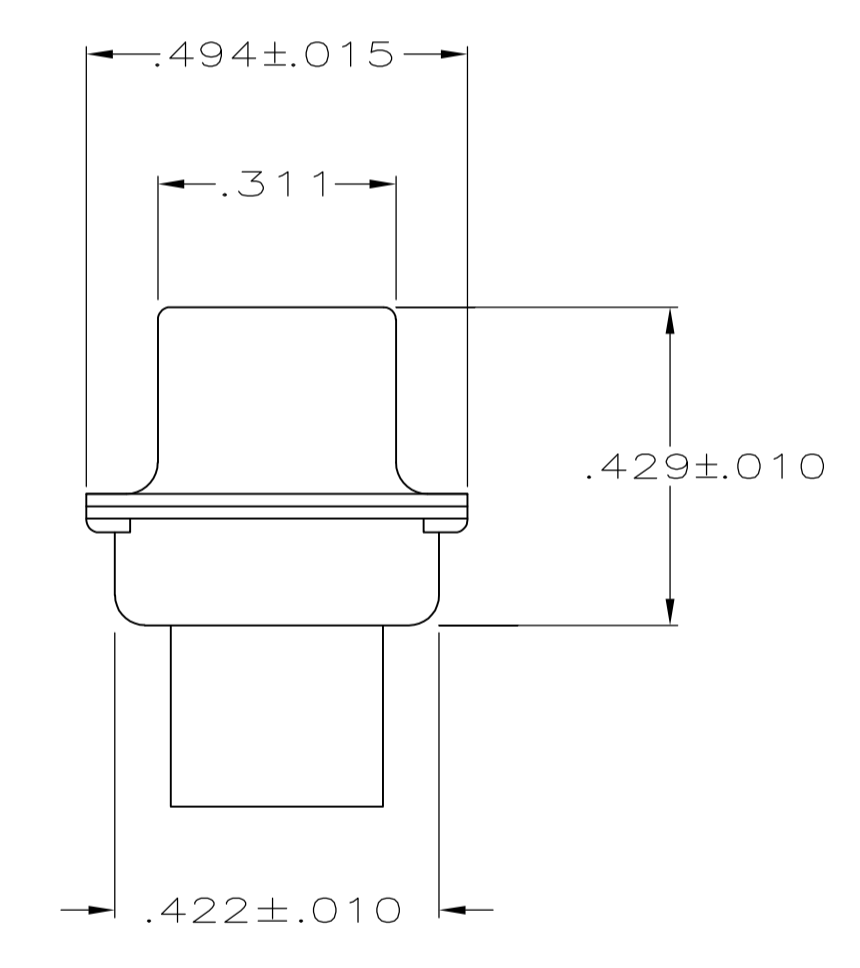
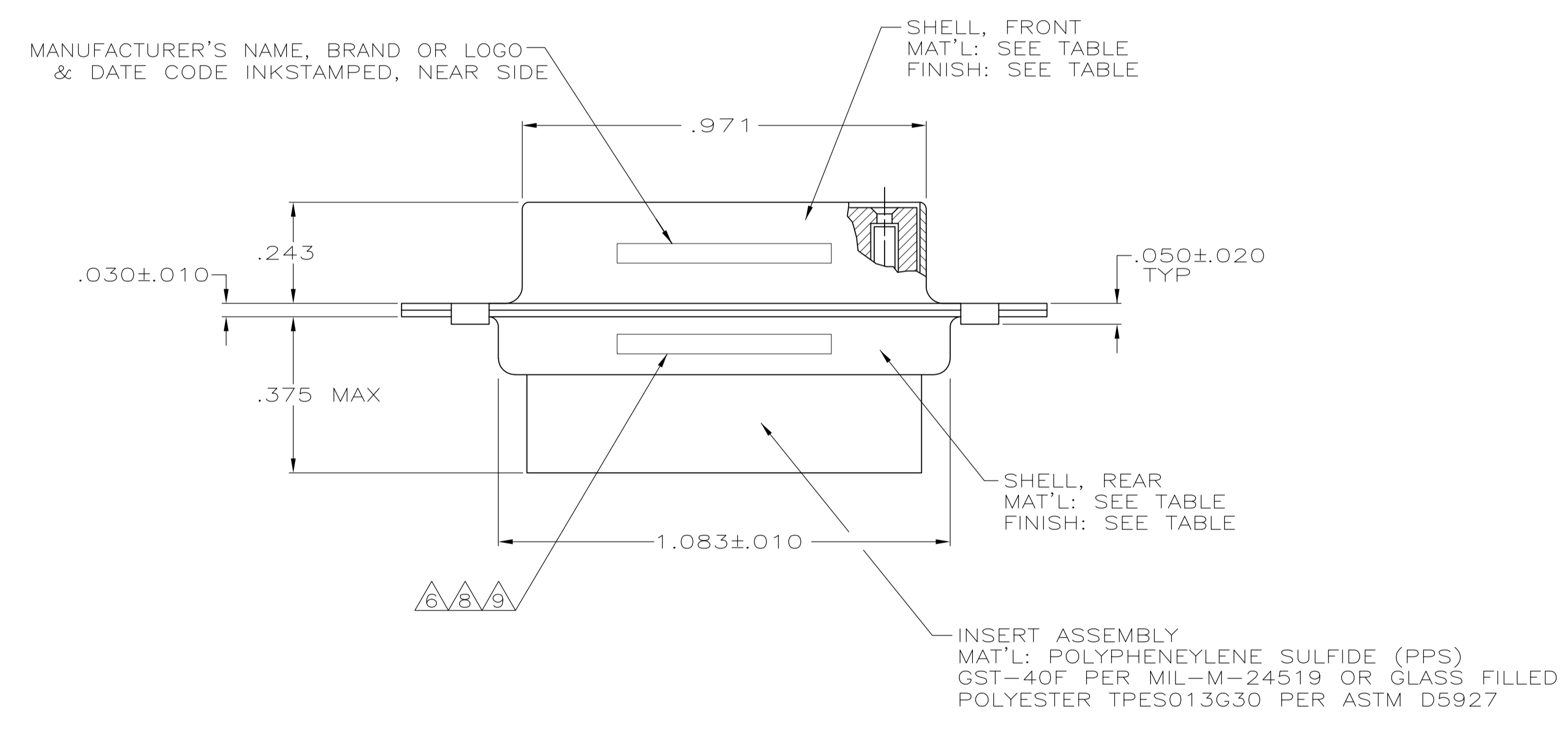
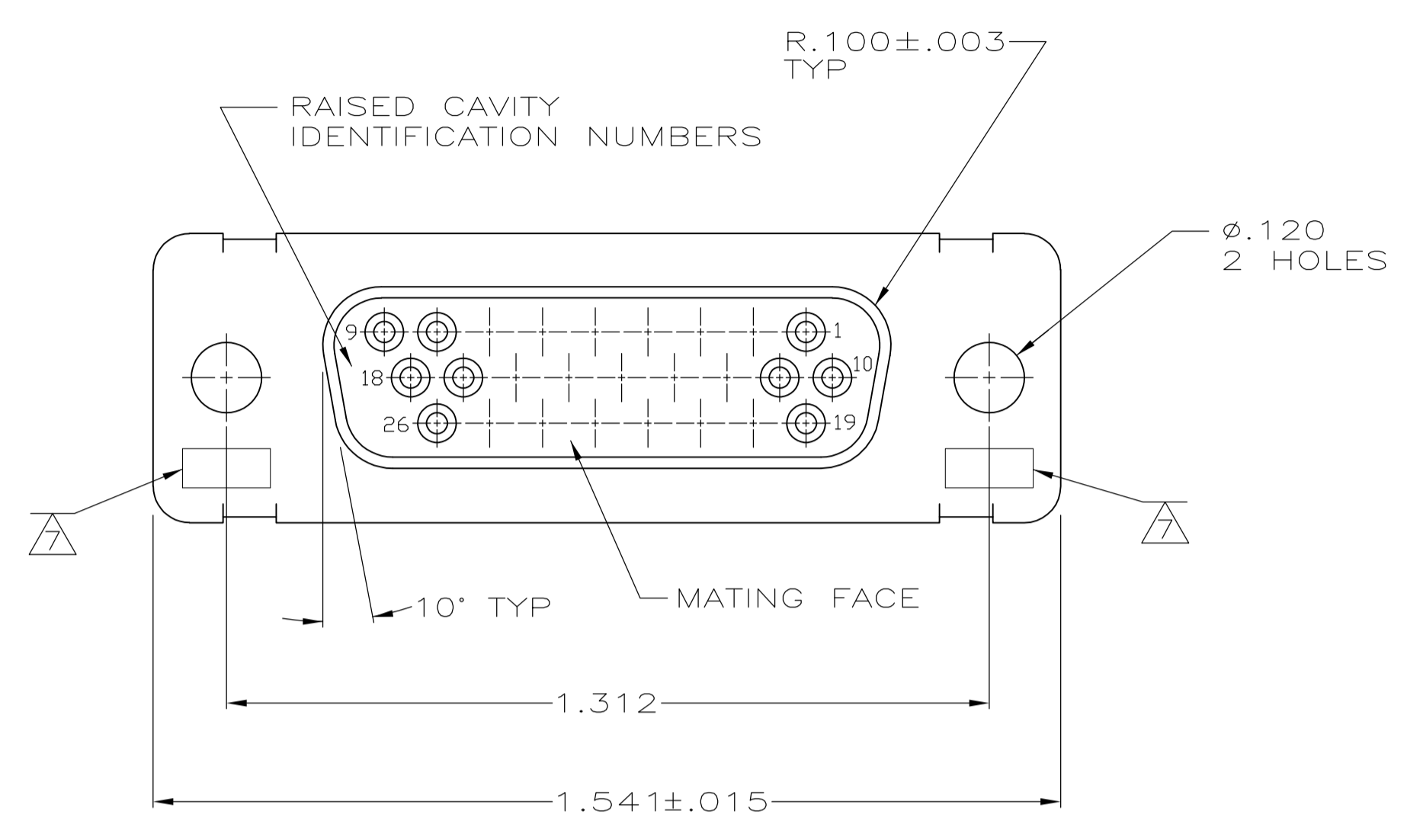


LOC		DIST		REVISIONS			
P	LTR	DESCRIPTION	DATE	DNW	APVD		
T		REV PER ECO-15-016062	09NOV15	KG	CD		

- THIS RCPT. IS DESIGNED TO CONFORM TO THE LATEST ISSUE OF MIL-C-24308.
- MAX WIRE INSUL TO BE USED WITH THIS RCPT. IS $\phi.054$.
- METAL RETENTION CLIPS ARE INCLUDED IN INSERTS.
- PACKAGE STAMPED M 24308/2-287F.
- THIS RCPT. WILL ACCEPT SIZE 22 SOCKET CONTACT M 39029/57-354 OR ANY TYCO HDD-22 SOCKET CONTACT.
- MFG'S PART NO. STAMPED ON CONNECTOR REPRESENTS KIT NUMBER WITH CONTACTS.
- UL/CSA DESIGNATION STAMPED ON SHELL.
- 204514 INK STAMPED, NEAR SIDE. M24308/2-12F INK STAMPED, FAR SIDE.
- 204502-4 INK STAMPED, NEAR SIDE.
- FINISH: BRIGHT TIN PER ASTM-B-545, .000400-.000550 THK OVER COPPER PER AMS2418, .000050 MIN THK.



REMARKS	FINISH	SHELL MATERIAL	PART NO.
SUPSD BY 204502-1	CADMIUM PER QQ-P-416	STEEL, CLASS G	204502-4
SUPSD BY 206501-4	CADMIUM PER QQ-P-416	STEEL, CLASS G	204502-3
	CADMIUM PER QQ-P-416	BRASS	204502-2
	CADMIUM PER QQ-P-416	STEEL, CLASS G	204502-1

THIS DRAWING IS A CONTROLLED DOCUMENT.

APPROVED: F.C. BALLEW

DATE: 25-JAN-88

NAME: F.C. BALLEW

PRODUCT SPEC: AMPLIMITE RCPT. FOR SOCKET CONTACTS HI-DENSITY D CONNECTOR SIZE 2 (26 POSN) SERIES 90

APPLICATION SPEC: ---

SIZE: A1

SCALE: 4:1

SHEET: 1 OF 1

REV: T

CUSTOMER DRAWING