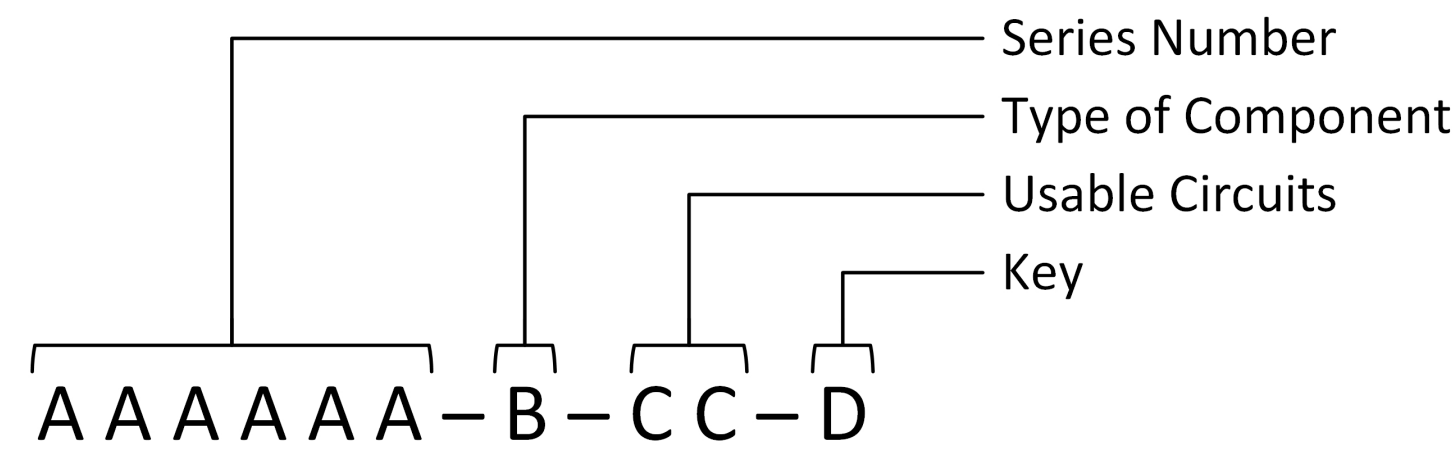


# CONNTAK50 DUAL ROW VERTICAL SMT HEADERS

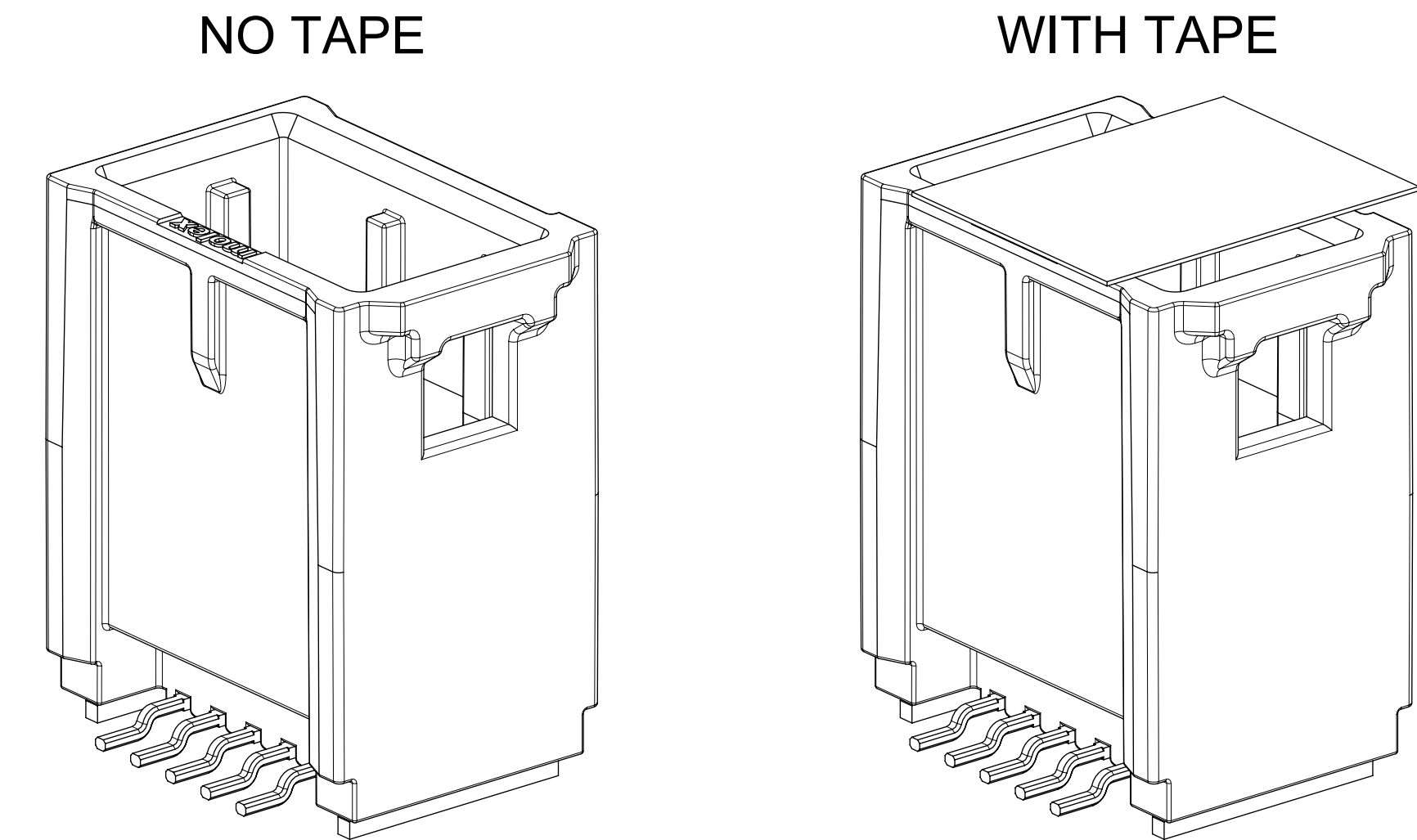
## 10CKT HEADER:



### PART NUMBER EXAMPLE:

PN 2069573101  
206957 - SERIES NUMBER: DUAL ROW VERTICAL SMT HEADER - STANDARD PERFORMANCE  
3 - TYPE OF COMPONENT: STANDARD MATERIAL; FULLY POPULATED, WITH TAPE  
10 - 10 USABLE CIRCUITS  
1 - KEY A

FINAL PART: 10CKT DUAL ROW VERTICAL STANDARD PERFORMANCE SMT HEADER - KEY A



|                  | SERIES NUMBERS (AAAAAA)  | TYPE OF COMPONENT (B)  | USABLE CIRCUITS (CC)                       | KEY (D)  |
|------------------|--|--|--|--|
| MATING COMPONENT | 205825 - RECEPTACLE  | 2 - STD MATL; FULLY POPULATED; NO TAPE<br>3 - STD MATL; FULLY POPULATED; WITH TAPE<br>4 - STD MATL; LAST 2 CKTS UNPOPULATED; NO TAPE<br>5 - STD MATL; LAST 2 CKTS UNPOPULATED; WITH TAPE | 02 - 2 Circuits<br>...<br>22 - 22 Circuits | 1 - KEY A<br>2 - KEY B<br>3 - KEY C<br>4 - KEY D |
| ON DRAWING       | 206957 - DR HB VERTICAL STANDARD PERFORMANCE SMT HEADER<br>208036 - DR V0 VERTICAL STANDARD PERFORMANCE SMT HEADER |  |  |  |
| OTHER            | 206958 - DR RIGHT ANGLE SMT HEADER - STANDARD PERF.  |  |  |  |

| INTERFACE | INTERFACE CKT SIZE | STANDARD HB MATERIAL SMT HEADER |             |             |             |             |                    |             |             |             |             | TOOLING STATUS |
|-----------|--------------------|---------------------------------|-------------|-------------|-------------|-------------|--------------------|-------------|-------------|-------------|-------------|----------------|
|           |                    | FULLY POPULATED                 |             |             |             |             | 2 CKTS UNPOPULATED |             |             |             |             |                |
|           |                    | NO TAPE                         |             | WITH TAPE   |             |             | NO TAPE            |             | WITH TAPE   |             |             |                |
|           |                    | PART NUMBER                     | USABLE CKTS | PART NUMBER | USABLE CKTS | PART NUMBER | USABLE CKTS        | PART NUMBER | USABLE CKTS | PART NUMBER | USABLE CKTS | AVAILABLE      |
|           | 10                 | A                               | 2069572101  | 10          | 2069573101  | 10          | 2069574081         | 8           | 2069575081  | 8           |             |                |
|           |                    | B                               | 2069572102  | 10          | 2069573102  | 10          | 2069574082         | 8           | 2069575082  | 8           |             |                |
|           |                    | C                               | 2069572103  | 10          | 2069573103  | 10          | 2069574083         | 8           | 2069575083  | 8           |             |                |
|           |                    | D                               | 2069572104  | 10          | 2069573104  | 10          | 2069574084         | 8           | 2069575084  | 8           |             |                |

| INTERFACE | INTERFACE CKT SIZE | V0 MATERIAL SMT HEADER |             |             |             |             |                    |             |             |             |                          | TOOLING STATUS           |
|-----------|--------------------|------------------------|-------------|-------------|-------------|-------------|--------------------|-------------|-------------|-------------|--------------------------|--------------------------|
|           |                    | FULLY POPULATED        |             |             |             |             | 2 CKTS UNPOPULATED |             |             |             |                          |                          |
|           |                    | NO TAPE                |             | WITH TAPE   |             |             | NO TAPE            |             | WITH TAPE   |             |                          |                          |
|           |                    | PART NUMBER            | USABLE CKTS | PART NUMBER | USABLE CKTS | PART NUMBER | USABLE CKTS        | PART NUMBER | USABLE CKTS | PART NUMBER | USABLE CKTS              | INQUIRE FOR AVAILABILITY |
|           | 4                  | A                      | 2080362041  | 4           | 2080363041  | 4           | 2080364021         | 2           | 2080365021  | 2           |                          |                          |
|           |                    | B                      | 2080362042  | 4           | 2080363042  | 4           | 2080364022         | 2           | 2080365022  | 2           |                          |                          |
|           |                    | C                      | 2080362043  | 4           | 2080363043  | 4           | 2080364023         | 2           | 2080365023  | 2           |                          |                          |
|           |                    | D                      | 2080362044  | 4           | 2080363044  | 4           | 2080364024         | 2           | 2080365024  | 2           |                          |                          |
|           | 6                  | A                      | 2080362061  | 6           | 2080363061  | 6           | 2080364041         | 4           | 2080365041  | 4           | INQUIRE FOR AVAILABILITY |                          |
|           |                    | B                      | 2080362062  | 6           | 2080363062  | 6           | 2080364042         | 4           | 2080365042  | 4           |                          |                          |
|           |                    | C                      | 2080362063  | 6           | 2080363063  | 6           | 2080364043         | 4           | 2080365043  | 4           |                          |                          |
|           |                    | D                      | 2080362064  | 6           | 2080363064  | 6           | 2080364044         | 4           | 2080365044  | 4           |                          |                          |
|           | 8                  | A                      | 2080362081  | 8           | 2080363081  | 8           | 2080364061         | 6           | 2080365061  | 6           | INQUIRE FOR AVAILABILITY |                          |
|           |                    | B                      | 2080362082  | 8           | 2080363082  | 8           | 2080364062         | 6           | 2080365062  | 6           |                          |                          |
|           |                    | C                      | 2080362083  | 8           | 2080363083  | 8           | 2080364063         | 6           | 2080365063  | 6           |                          |                          |
|           |                    | D                      | 2080362084  | 8           | 2080363084  | 8           | 2080364064         | 6           | 2080365064  | 6           |                          |                          |
|           | 10                 | A                      | 2080362101  | 10          | 2080363101  | 10          | 2080364081         | 8           | 2080365081  | 8           | INQUIRE FOR AVAILABILITY |                          |
|           |                    | B                      | 2080362102  | 10          | 2080363102  | 10          | 2080364082         | 8           | 2080365082  | 8           |                          |                          |
|           |                    | C                      | 2080362103  | 10          | 2080363103  | 10          | 2080364083         | 8           | 2080365083  | 8           |                          |                          |
|           |                    | D                      | 2080362104  | 10          | 2080363104  | 10          | 2080364084         | 8           | 2080365084  | 8           |                          |                          |
|           | 12                 | A                      | 2080362121  | 12          | 2080363121  | 12          | 2080364101         | 10          | 2080365101  | 10          | INQUIRE FOR AVAILABILITY |                          |
|           |                    | B                      | 2080362122  | 12          | 2080363122  | 12          | 2080364102         | 10          | 2080365102  | 10          |                          |                          |
|           |                    | C                      | 2080362123  | 12          | 2080363123  | 12          | 2080364103         | 10          | 2080365103  | 10          |                          |                          |
|           |                    | D                      | 2080362124  | 12          | 2080363124  | 12          | 2080364104         | 10          | 2080365104  | 10          |                          |                          |
|           | 14                 | A                      | 2080362141  | 14          | 2080363141  | 14          | 2080364121         | 12          | 2080365121  | 12          | INQUIRE FOR AVAILABILITY |                          |
|           |                    | B                      | 2080362142  | 14          | 2080363142  | 14          | 2080364122         | 12          | 2080365122  | 12          |                          |                          |
|           |                    | C                      | 2080362143  | 14          | 2080363143  | 14          | 2080364123         | 12          | 2080365123  | 12          |                          |                          |
|           |                    | D                      | 2080362144  | 14          | 2080363144  | 14          | 2080364124         | 12          | 2080365124  | 12          |                          |                          |
|           | 16                 | A                      | 2080362161  | 16          | 2080363161  | 16          | 2080364141         | 14          | 2080365141  | 14          | INQUIRE FOR AVAILABILITY |                          |
|           |                    | B                      | 2080362162  | 16          | 2080363162  | 16          | 2080364142         | 14          | 2080365142  | 14          |                          |                          |
|           |                    | C                      | 2080362163  | 16          | 2080363163  | 16          | 2080364143         | 14          | 2080365143  | 14          |                          |                          |
|           |                    | D                      | 2080362164  | 16          | 2080363164  | 16          | 2080364144         | 14          | 2080365144  | 14          |                          |                          |
|           | 18                 | A                      | 2080362181  | 18          | 2080363181  | 18          | 2080364161         | 16          | 2080365161  | 16          | INQUIRE FOR AVAILABILITY |                          |
|           |                    | B                      | 2080362182  | 18          | 2080363182  | 18          | 2080364162         | 16          | 2080365162  | 16          |                          |                          |
|           |                    | C                      | 2080362183  | 18          | 2080363183  | 18          | 2080364163         | 16          | 2080365163  | 16          |                          |                          |
|           |                    | D                      | 2080362184  | 18          | 2080363184  | 18          | 2080364164         | 16          | 2080365164  | 16          |                          |                          |
|           | 20                 | A                      | 2080362201  | 20          | 2080363201  | 20          | 2080364181         | 18          | 2080365181  | 18          | INQUIRE FOR AVAILABILITY |                          |
|           |                    | B                      | 2080362202  | 20          | 2080363202  | 20          | 2080364182         | 18          | 2080365182  | 18          |                          |                          |
|           |                    | C                      | 2080362203  | 20          | 2080363203  | 20          | 2080364183         | 18          | 2080365183  | 18          |                          |                          |
|           |                    | D                      | 2080362204  | 20          | 2080363204  | 20          | 2080364184         | 18          | 2080365184  | 18          |                          |                          |
|           | 22                 | A                      | 2080362221  | 22          | 2080363221  | 22          | 2080364201         | 20          | 2080365201  | 20          | INQUIRE FOR AVAILABILITY |                          |
|           |                    | B                      | 2080362222  | 22          | 2080363222  | 22          | 2080364202         | 20          | 2080365202  | 20          |                          |                          |
|           |                    | C                      | 2080362223  | 22          | 2080363223  | 22          | 2080364203         | 20          | 2080365203  | 20          |                          |                          |
|           |                    | D                      | 2080362224  | 22          | 2080363224  | 22          | 2080364204         | 20          | 2080365204  | 20          |                          |                          |

### NOTES:

VALID UNLESS OTHERWISE SPECIFIED

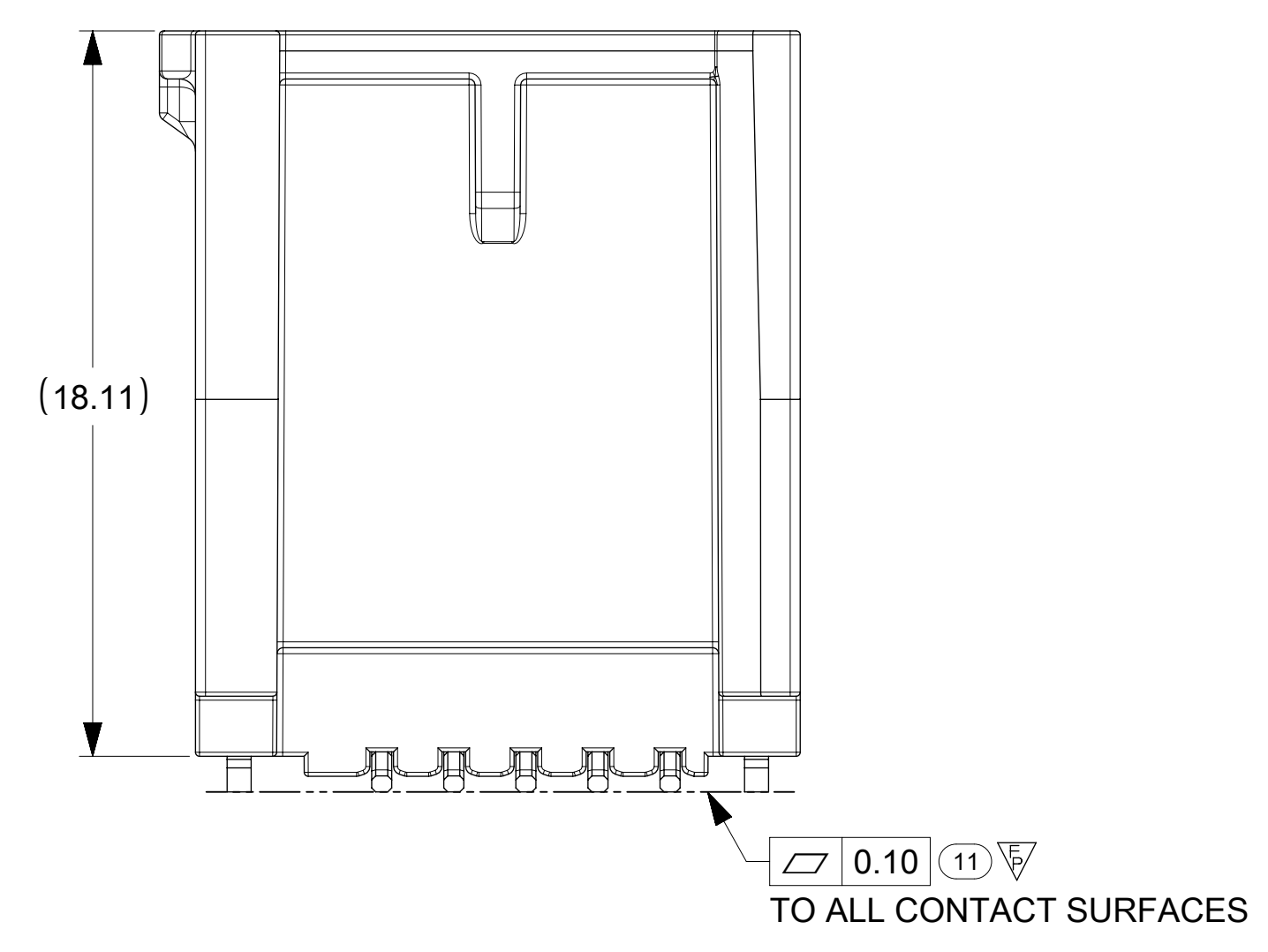
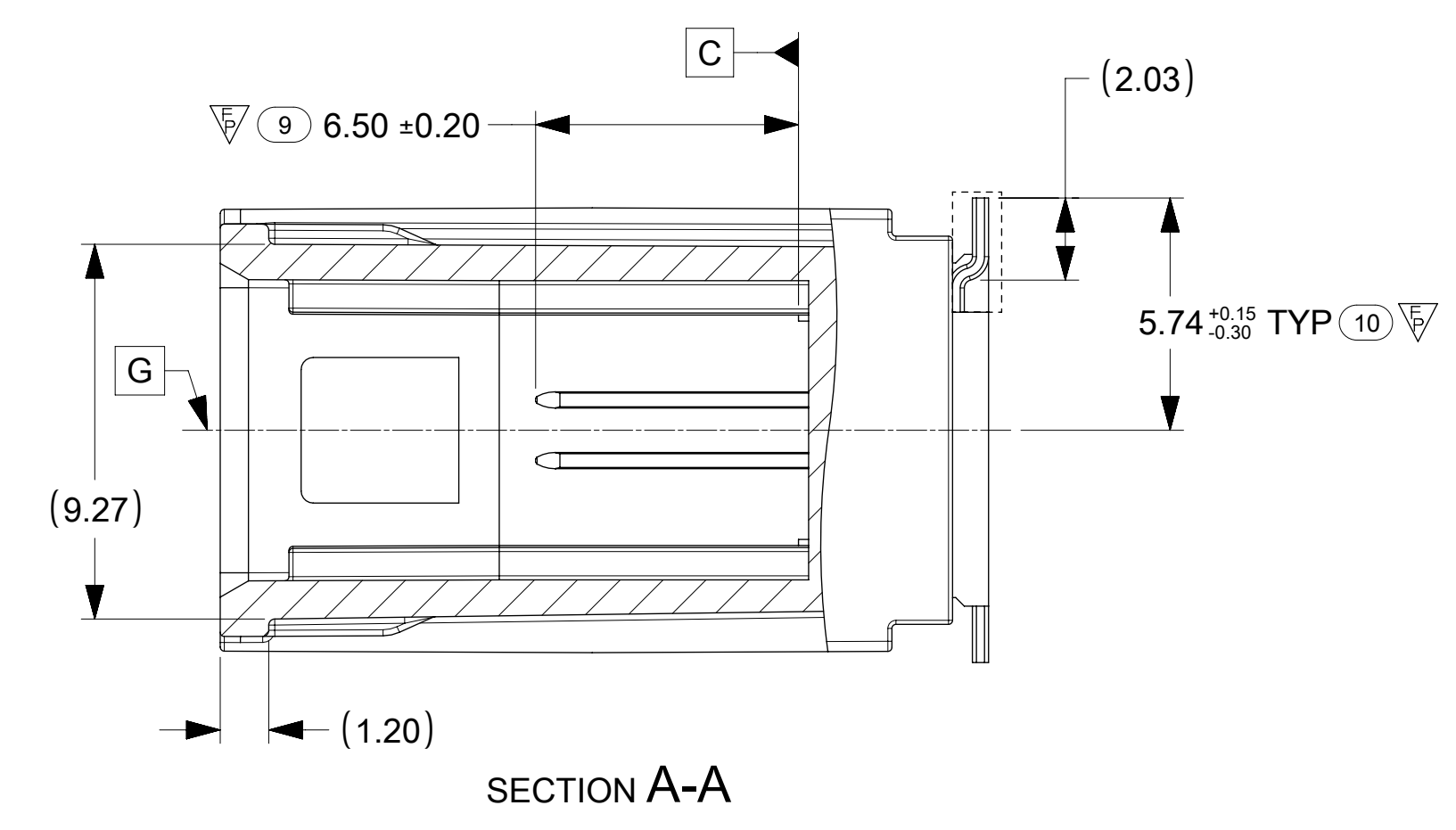
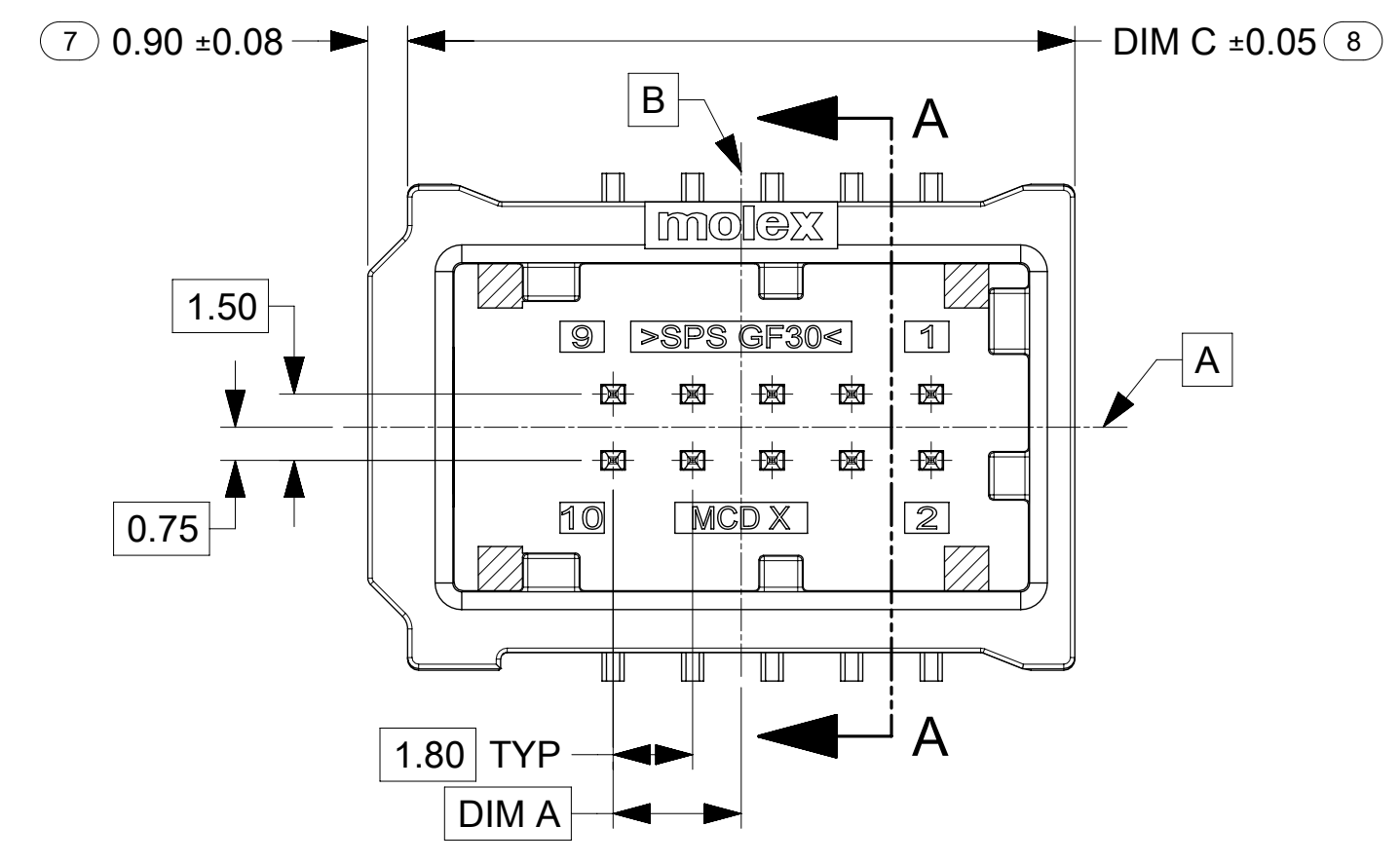
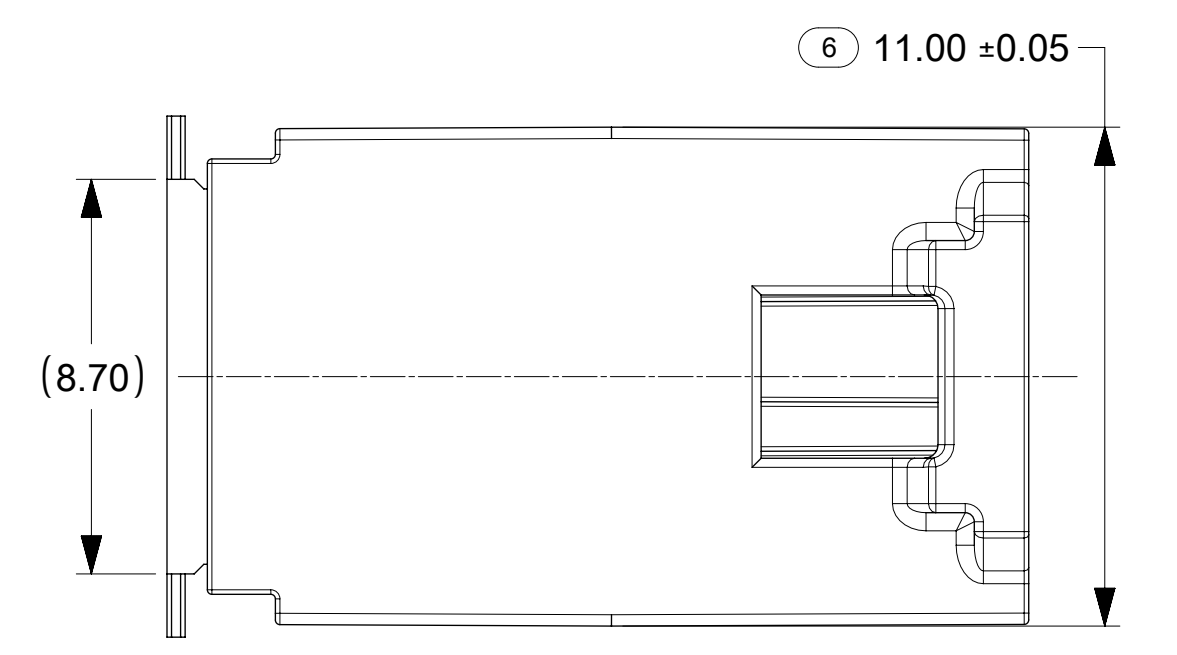
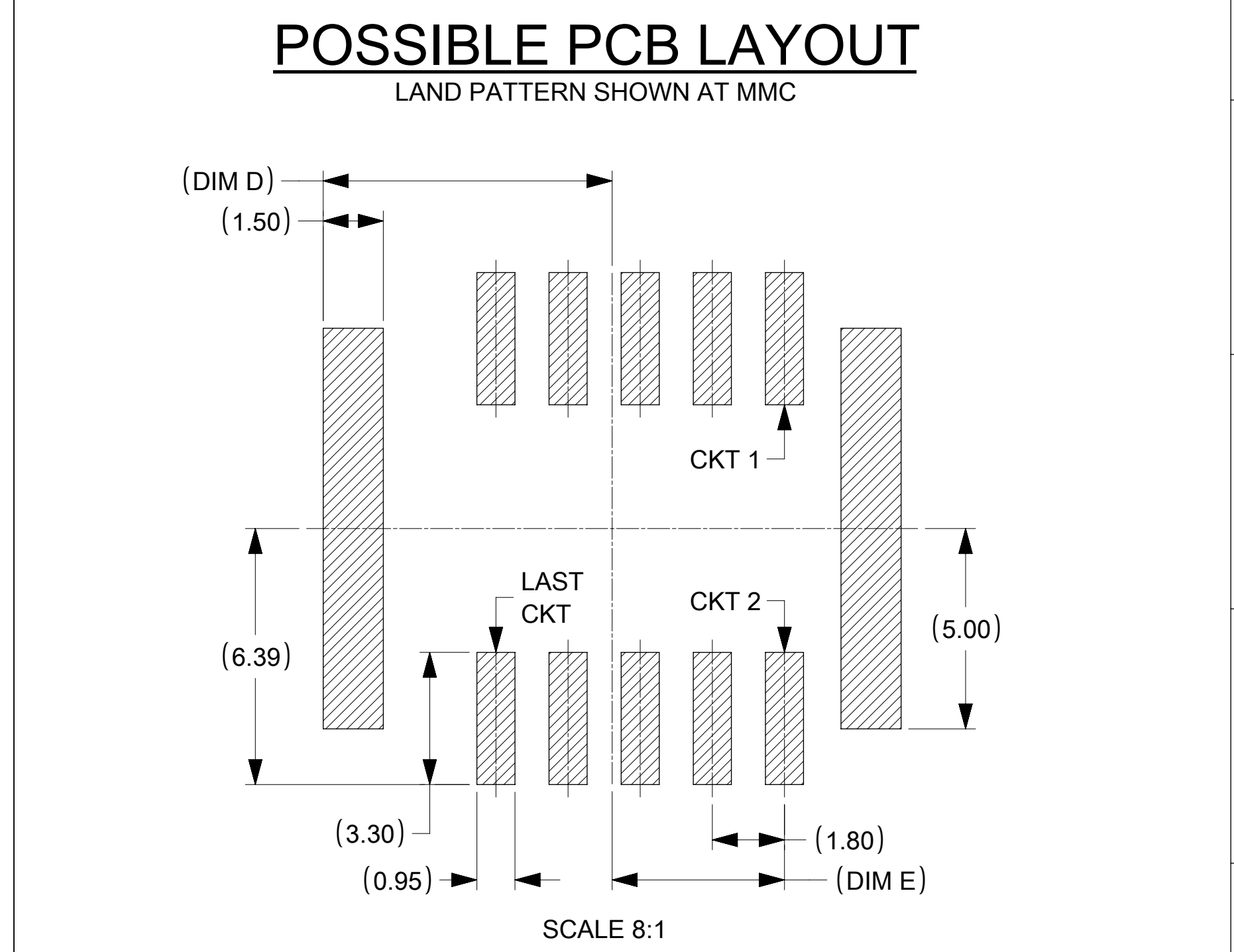
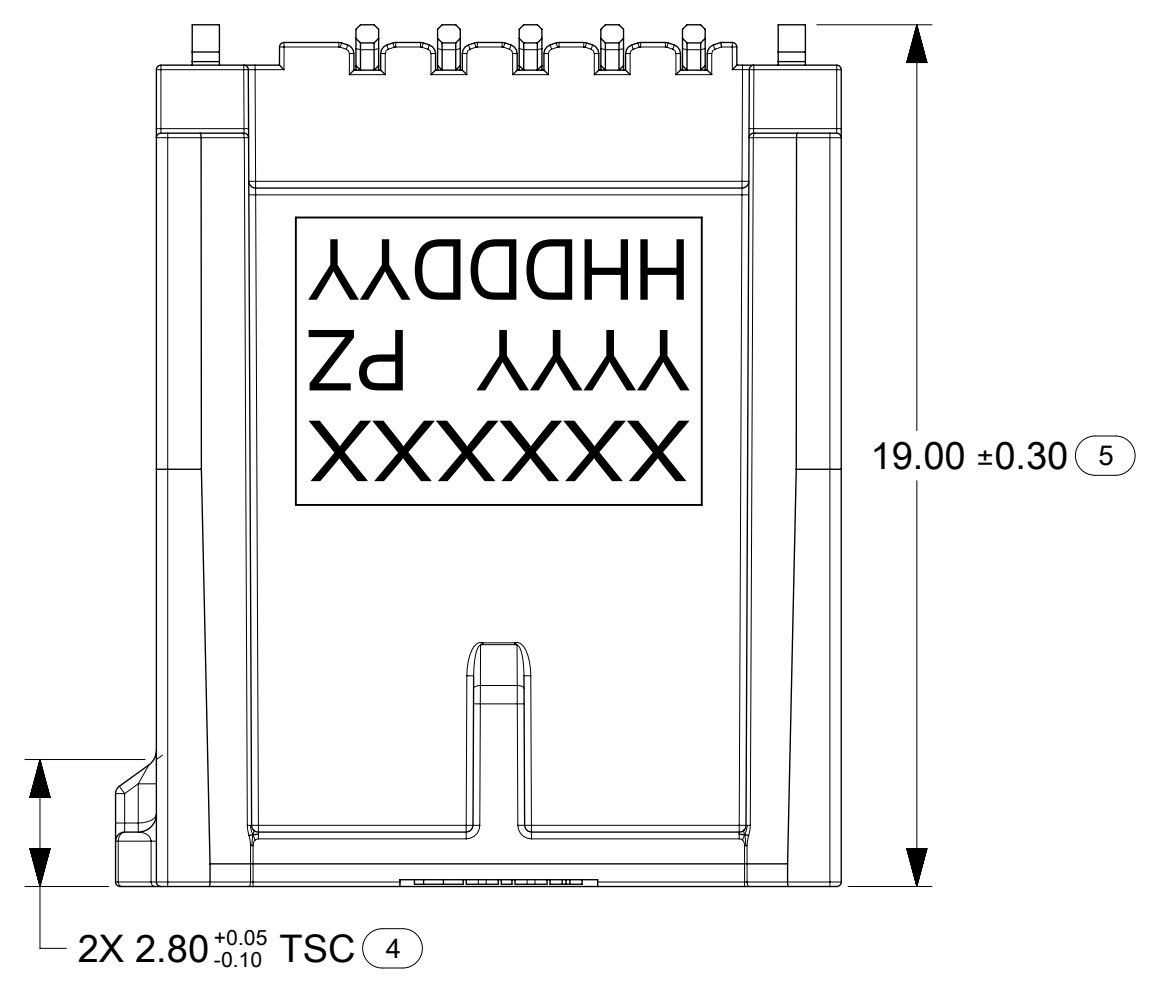
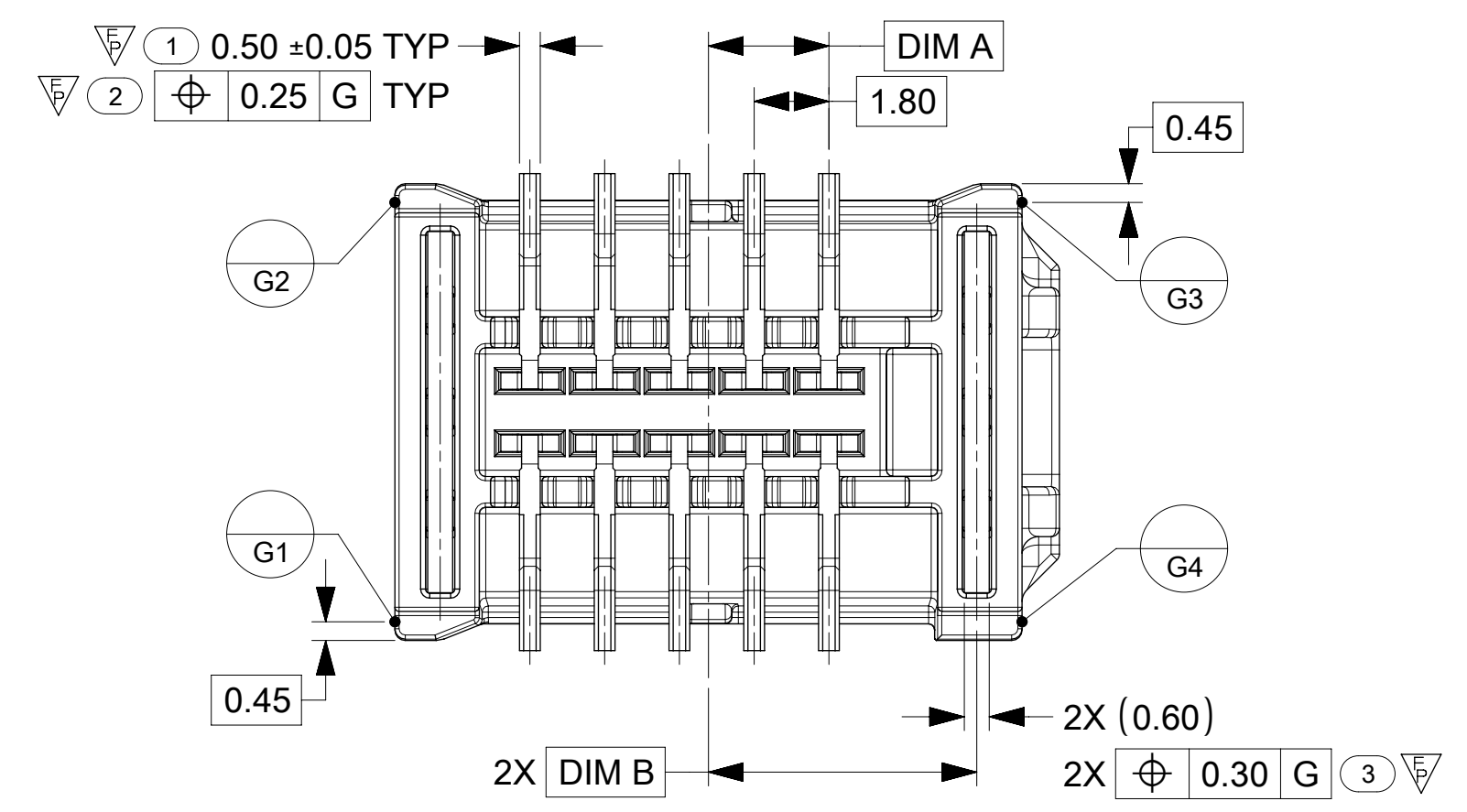
- GENERAL:
  - APPLICATION SPECIFICATION SEE: 2046310000-AS
  - PRODUCT SPECIFICATION SEE: 2046310000-PS
  - PACKAGING SPECIFICATION PER MOLEX DRAWING: 2069579000
    - PACKAGING IS TAPE & REEL
  - COMPATIBLE WITH STANDARD AK INTERFACE C-114-94000-20 REV A1
  - CONFORMS TO MOLEX AK INTERFACE 2046310001 REV A
    - MOLEX AK INTERFACE IS PART OF PPAP
  - CIRCUITS DO NOT CONTAIN PINS IN "2 CKTS UNPOPULATED" HEADER VERSION
  - TRACEABILITY TO BE MARKED IN AREA SHOWN. MARK IS CODED AS FOLLOWS:
    - ROW 1 ("XXXXXX"):
      - "XXXXXX" IS MOLEX SMT HEADER SERIES NUMBER
    - ROW 2 ("YYYY PZ"):
      - "YYYY" IS PART SUFFIX (LAST 4 DIGITS OF PART NUMBER)
      - "P" IS PERFORMANCE MARK. SEE BOM TABLE FOR MARKING CODE
      - "Z" IS ASSEMBLY LINE NUMBER
    - ROW 3 ("HHDDYY"):
      - 1ST & 2ND DIGITS ("HH"): HOUR OF ASSEMBLY (24 HOUR CLOCK)
      - 3RD THRU 5TH DIGITS ("DDD"): JULIAN DATE (EXAMPLE: FEBRUARY 3RD -> "034")
      - 6TH & 7TH DIGITS ("YY"): LAST 2 DIGITS OF CALENDAR YEAR
- DESIGN - MATERIALS:
  - SHROUD (PLASTIC HOUSING): SEE BOM
  - PINS:
    - STANDARD PERFORMANCE PINS:
      - BASE MATERIAL: C26000 BRASS
      - UNDERPLATING (CONTACT REGION): NICKEL 1.0 - 1.8 µm
      - OVERPLATING (CONTACT REGION): MATTE TIN 1.0 - 3.0 µm
- DESIGN - GEOMETRY:
  - GEOMETRIC DIMENSIONS AND TOLERANCES PER ASME Y14.5M-2009

|    |  |
|----|--|
| C3 | UPDATED: VIEW ON PG 1 FOR PICKUP TAPE; BOM TABLES FOR V0 & HB MATERIAL; NOTE 2.1; POL B COLOR FROM GREY TO NATURAL |
| C2 | UPDATED: DIM 7 TOLERANCE   |
| C1 | UPDATED: DIM 10  |

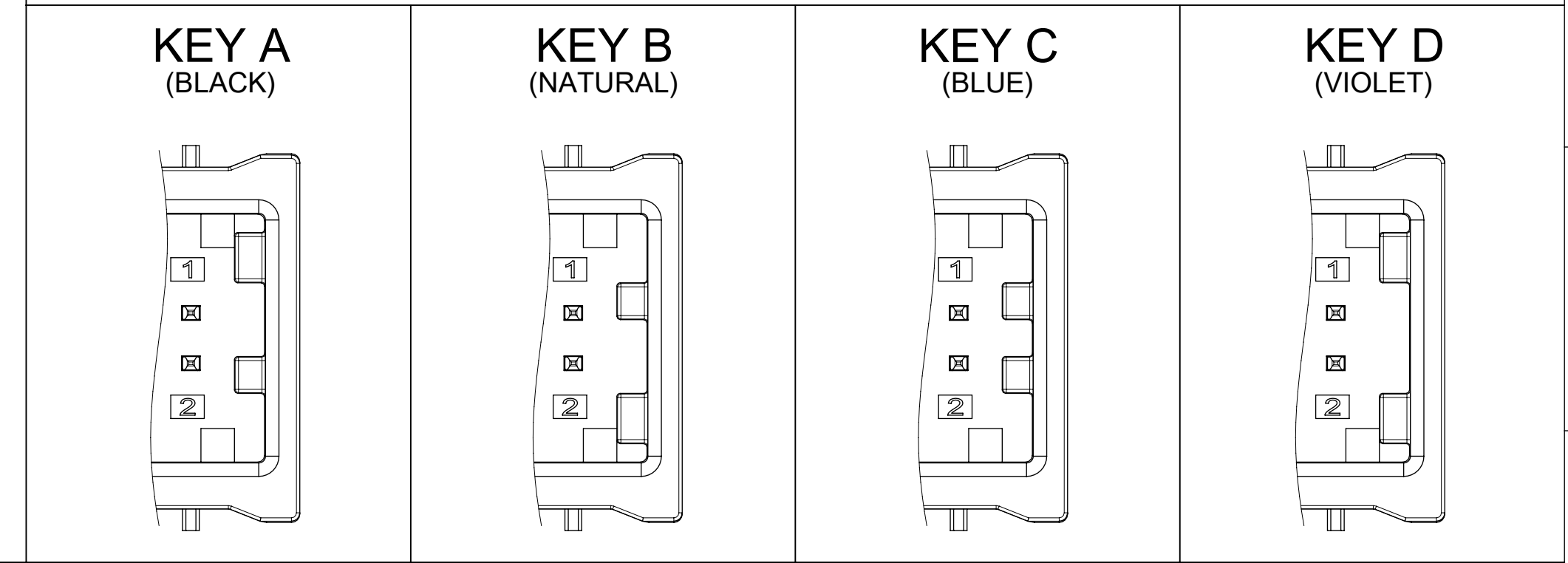
|   |                        |  |
|---|------------------------|--|
| INSPECTION BALLOON LOG  |                        | C<br>ADDED: DATUM G; DIMENSIONAL INFO FOR ALL CIRCUIT SIZES; TRACEABILITY MARKING INFO; NOTE REFERENCING INTERFACE DRAWING; SOLDER NAIL REFERENCE DIMS; NEW NOTES 1.4, 1.5, 1.6, 1.7; NO CAP PART NUMBERS<br>UPDATED: CHANGED CAP / NO CAP PART NUMBERS; PCB LAYOUT; PAGE 2 LAYOUT; NOTE 2.2 FORMAT; DIMENSION NUMBERS<br>REMOVED: SEVERAL DIMS; DATUM A, B, & C CALLOUTS (SEE INTERFACE DRAWING); DATUM D, E, & F; OLD NOTES 1.4, 1.5, 1.6, 1.7, 3.1, 3.3, 3.4, 3.5, 3.6, 3.7; TUBE PART NUMBERS<br>ADDED BASE MATERIAL IN SECTION 2.2; ADDED BALLON NUMBERS 1-13; UPDATED VIEW FOR LATCH IMPROVEMENT ON 10CKT; UPDATED NOTES 1.1, 1.2, & 1.3 |
| PER DRAWING REVISION: C3  | TOTAL BALLOONS: 11     |  |
| ADDED BALLOON NUMBERS:  | B1                     |  |
| REMOVED BALLOON NUMBERS:  | REV                    |  |
| THIS DRAWING CONTAINS INFORMATION THAT IS PROPRIETARY TO MOLEX ELECTRONIC TECHNOLOGIES, LLC AND SHOULD NOT BE USED WITHOUT WRITTEN PERMISSION |                        | C<br>DESCRIPTION   |
| DIMENSION UNITS: mm   | SCALE: 5:1             |  |
| CURRENT REV DESC:   |                        | <p>CONNTAK50 DR VERTICAL SMT HEADER</p> <p>PRODUCT CUSTOMER DRAWING</p> <p>DOCUMENT NUMBER: 2057260003</p> <p>DOC TYPE: PSD</p> <p>DOC PART: 000</p> <p>REVISION: C3</p> <p>SHEET NUMBER: 1 OF 2</p>   |
| GENERAL TOLERANCES (UNLESS SPECIFIED)   |                        |  |
| ANGULAR TOL: ±  | °                      |  |
| 4 PLACES: ±   |                        |  |
| 3 PLACES: ±   |                        |  |
| 2 PLACES: ±   |                        |  |
| 1 PLACE: ±  |                        |  |
| 0 PLACES: ±   |                        |  |
| DRAFT WHERE APPLICABLE MUST REMAIN WITHIN DIMENSIONS  | THIRD ANGLE PROJECTION |  |
| D-DRAWING: D-SIZE   | SERIES: 205726         |  |



10CKT KEY A (2069572101) SHOWN EXCEPT WHERE NOTED  
 REFER TO 2046310002 FOR INTERFACE DIMENSIONS



KEYING OPTIONS



**2 CKTS UNPOPULATED**  
 8CKT HEADER WITH 2 CKTS UNPOPULATED (10CKT INTERFACE) SHOWN  
 PART NUMBER: 2069584081

|   |  |                        |                          |  |           |                |        |  |  |  |  |   |                 |          |                          |  |  |                 |          |          |          |            |  |  |     |     |    |  |  |                        |         |        |                 |          |              |  |  |  |  |  |        |        |           |                |        |  |  |
|---|--|------------------------|--------------------------|--|-----------|----------------|--------|--|--|--|--|---|-----------------|----------|--------------------------|--|--|-----------------|----------|----------|----------|------------|--|--|-----|-----|----|--|--|------------------------|---------|--------|-----------------|----------|--------------|--|--|--|--|--|--------|--------|-----------|----------------|--------|--|--|
| THIS DRAWING CONTAINS INFORMATION THAT IS PROPRIETARY TO MOLEX ELECTRONIC TECHNOLOGIES, LLC AND SHOULD NOT BE USED WITHOUT WRITTEN PERMISSION |  |                        |                          |  |           |                |        |  |  |  |  |   |                 |          |                          |  |  |                 |          |          |          |            |  |  |     |     |    |  |  |                        |         |        |                 |          |              |  |  |  |  |  |        |        |           |                |        |  |  |
| DIMENSION UNITS: mm   |  | SCALE: 6:1             |                          | CURRENT REV DESC:  |           |                |        |  |  |  |  |   |                 |          |                          |  |  |                 |          |          |          |            |  |  |     |     |    |  |  |                        |         |        |                 |          |              |  |  |  |  |  |        |        |           |                |        |  |  |
| GENERAL TOLERANCES (UNLESS SPECIFIED)   |  |                        |                          | EC NO: 672688<br>DRWN: KHEWITT 2021/05/12<br>CHK'D: VBALASUBRAMA 2021/08/09<br>APPR: JDUNAJ 2021/08/09<br>INITIAL REVISION:<br>DRWN: ECOLARUSSO 2018/02/23<br>APPR: JDUNAJ 2018/03/14  |           |                |        |  |  |  |  |   |                 |          |                          |  |  |                 |          |          |          |            |  |  |     |     |    |  |  |                        |         |        |                 |          |              |  |  |  |  |  |        |        |           |                |        |  |  |
| ANGULAR TOL ± °   |  |                        |                          | <table border="1"> <tr> <td colspan="3" rowspan="2"> <b>molex</b><br/>           CONNTRAK50 DR VERTICAL SMT HEADER         </td> <td colspan="3">PRODUCT CUSTOMER DRAWING</td> </tr> <tr> <td>DOCUMENT NUMBER</td> <td>DOC TYPE</td> <td>DOC PART</td> <td>REVISION</td> </tr> <tr> <td colspan="3">2057260003</td> <td>PSD</td> <td>000</td> <td>C3</td> </tr> <tr> <td colspan="2">DRAFT WHERE APPLICABLE MUST REMAIN WITHIN DIMENSIONS</td> <td>THIRD ANGLE PROJECTION</td> <td>DRAWING</td> <td>SERIES</td> <td>MATERIAL NUMBER</td> <td>CUSTOMER</td> <td colspan="3">SHEET NUMBER</td> </tr> <tr> <td colspan="2"></td> <td> </td> <td>D-SIZE</td> <td>205726</td> <td>SEE TABLE</td> <td>GENERAL MARKET</td> <td colspan="3">2 OF 2</td> </tr> </table> |           |                |        |  |  |  |  | <b>molex</b><br>CONNTRAK50 DR VERTICAL SMT HEADER |                 |          | PRODUCT CUSTOMER DRAWING |  |  | DOCUMENT NUMBER | DOC TYPE | DOC PART | REVISION | 2057260003 |  |  | PSD | 000 | C3 | DRAFT WHERE APPLICABLE MUST REMAIN WITHIN DIMENSIONS |  | THIRD ANGLE PROJECTION | DRAWING | SERIES | MATERIAL NUMBER | CUSTOMER | SHEET NUMBER |  |  |  |  |  | D-SIZE | 205726 | SEE TABLE | GENERAL MARKET | 2 OF 2 |  |  |
| <b>molex</b><br>CONNTRAK50 DR VERTICAL SMT HEADER   |  |                        | PRODUCT CUSTOMER DRAWING |  |           |                |        |  |  |  |  |   |                 |          |                          |  |  |                 |          |          |          |            |  |  |     |     |    |  |  |                        |         |        |                 |          |              |  |  |  |  |  |        |        |           |                |        |  |  |
|   |  |                        | DOCUMENT NUMBER          |  |           |                |        |  |  |  |  | DOC TYPE  | DOC PART        | REVISION |                          |  |  |                 |          |          |          |            |  |  |     |     |    |  |  |                        |         |        |                 |          |              |  |  |  |  |  |        |        |           |                |        |  |  |
| 2057260003  |  |                        | PSD                      |  |           |                |        |  |  |  |  | 000   | C3              |          |                          |  |  |                 |          |          |          |            |  |  |     |     |    |  |  |                        |         |        |                 |          |              |  |  |  |  |  |        |        |           |                |        |  |  |
| DRAFT WHERE APPLICABLE MUST REMAIN WITHIN DIMENSIONS  |  | THIRD ANGLE PROJECTION | DRAWING                  |  |           |                |        |  |  |  |  | SERIES  | MATERIAL NUMBER | CUSTOMER | SHEET NUMBER             |  |  |                 |          |          |          |            |  |  |     |     |    |  |  |                        |         |        |                 |          |              |  |  |  |  |  |        |        |           |                |        |  |  |
|   |  |                        | D-SIZE                   | 205726   | SEE TABLE | GENERAL MARKET | 2 OF 2 |  |  |  |  |   |                 |          |                          |  |  |                 |          |          |          |            |  |  |     |     |    |  |  |                        |         |        |                 |          |              |  |  |  |  |  |        |        |           |                |        |  |  |
| 4 PLACES ±  |  |                        |                          |  |           |                |        |  |  |  |  |   |                 |          |                          |  |  |                 |          |          |          |            |  |  |     |     |    |  |  |                        |         |        |                 |          |              |  |  |  |  |  |        |        |           |                |        |  |  |
| 3 PLACES ±  |  |                        |                          |  |           |                |        |  |  |  |  |   |                 |          |                          |  |  |                 |          |          |          |            |  |  |     |     |    |  |  |                        |         |        |                 |          |              |  |  |  |  |  |        |        |           |                |        |  |  |
| 2 PLACES ±  |  |                        |                          |  |           |                |        |  |  |  |  |   |                 |          |                          |  |  |                 |          |          |          |            |  |  |     |     |    |  |  |                        |         |        |                 |          |              |  |  |  |  |  |        |        |           |                |        |  |  |
| 1 PLACE ±   |  |                        |                          |  |           |                |        |  |  |  |  |   |                 |          |                          |  |  |                 |          |          |          |            |  |  |     |     |    |  |  |                        |         |        |                 |          |              |  |  |  |  |  |        |        |           |                |        |  |  |
| 0 PLACES ±  |  |                        |                          |  |           |                |        |  |  |  |  |   |                 |          |                          |  |  |                 |          |          |          |            |  |  |     |     |    |  |  |                        |         |        |                 |          |              |  |  |  |  |  |        |        |           |                |        |  |  |

|                 |    |              |            |          |
|-----------------|----|--------------|------------|----------|
| DOCUMENT STATUS | P1 | RELEASE DATE | 2021/08/09 | 15:18:47 |
|-----------------|----|--------------|------------|----------|