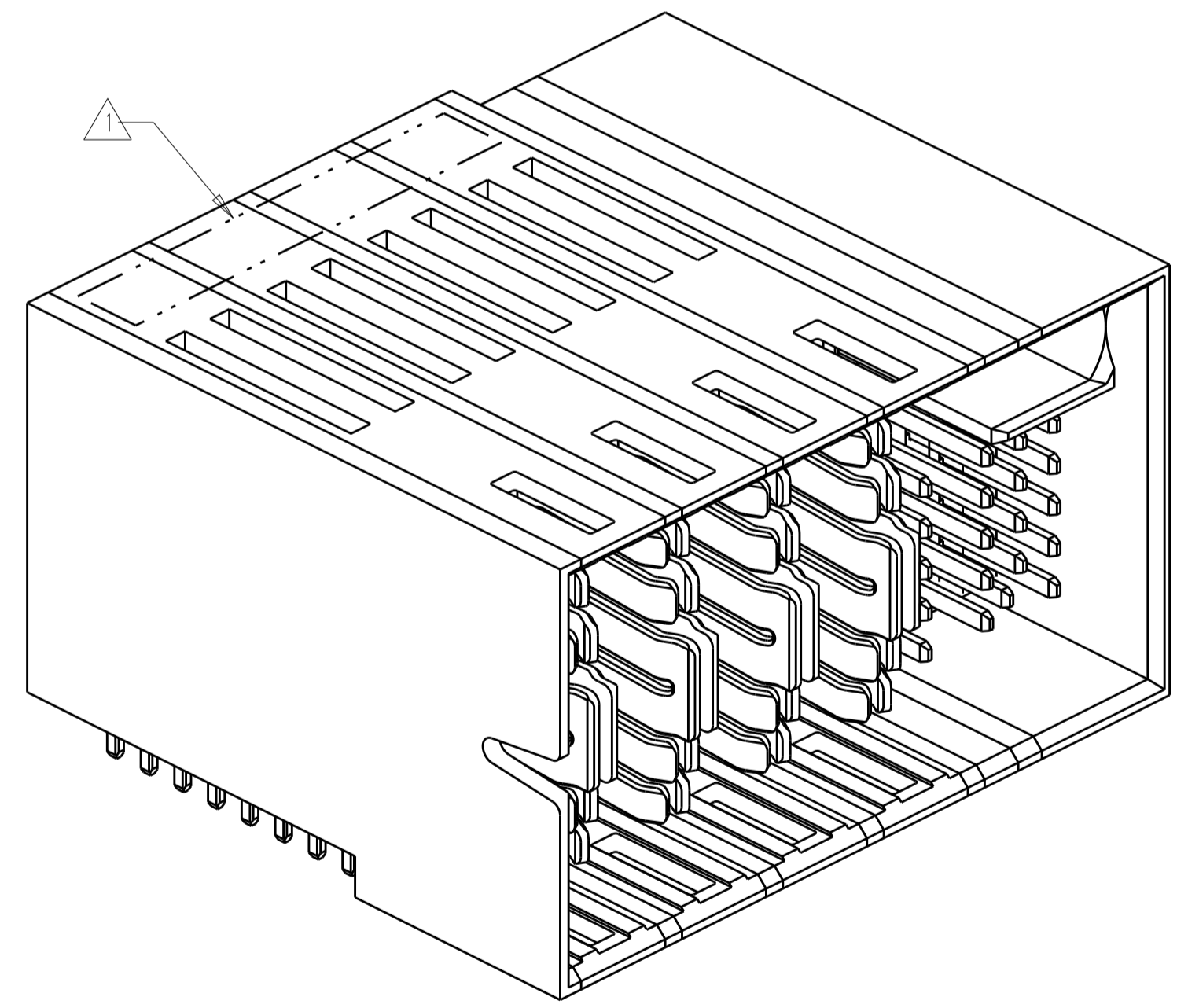
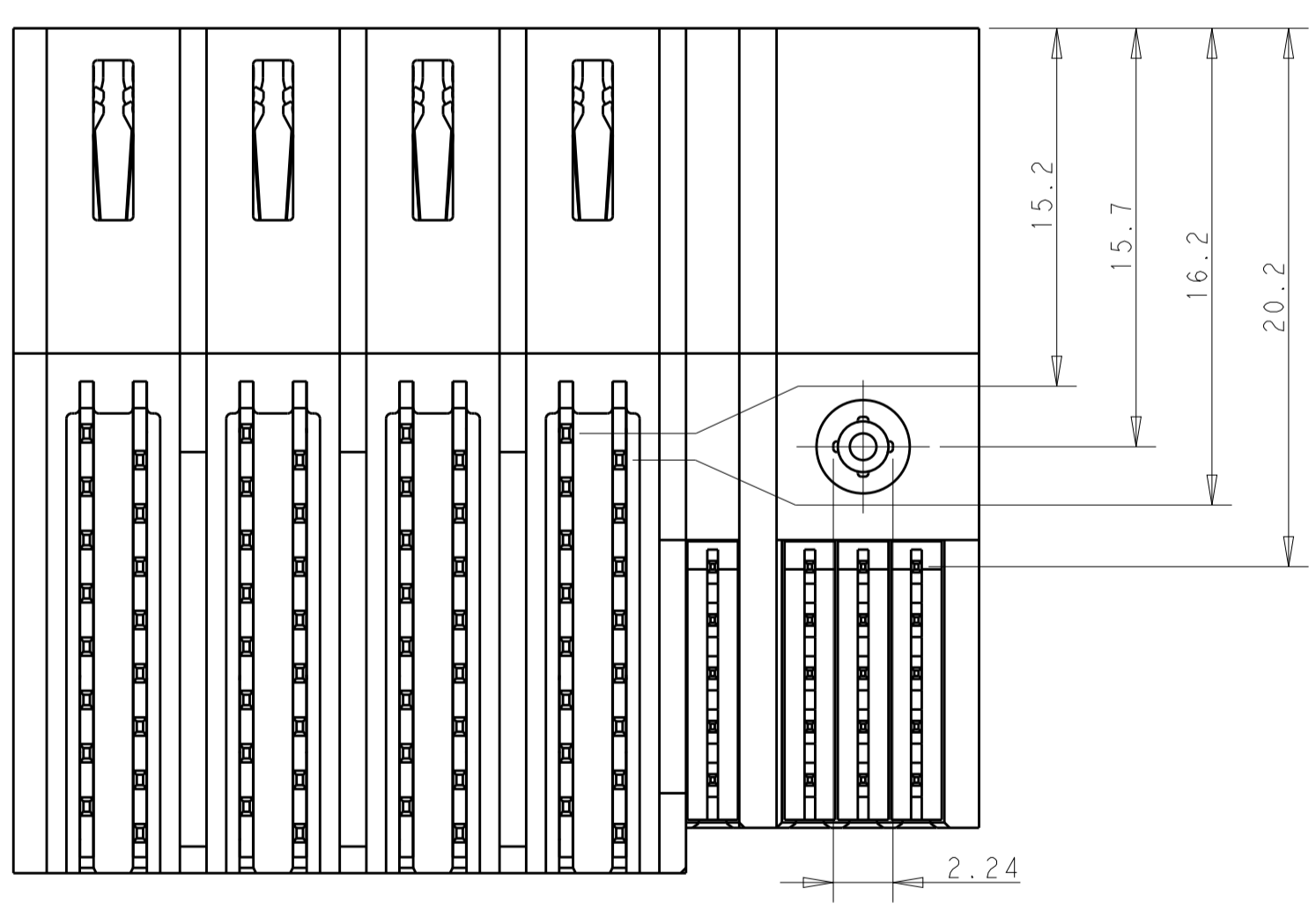
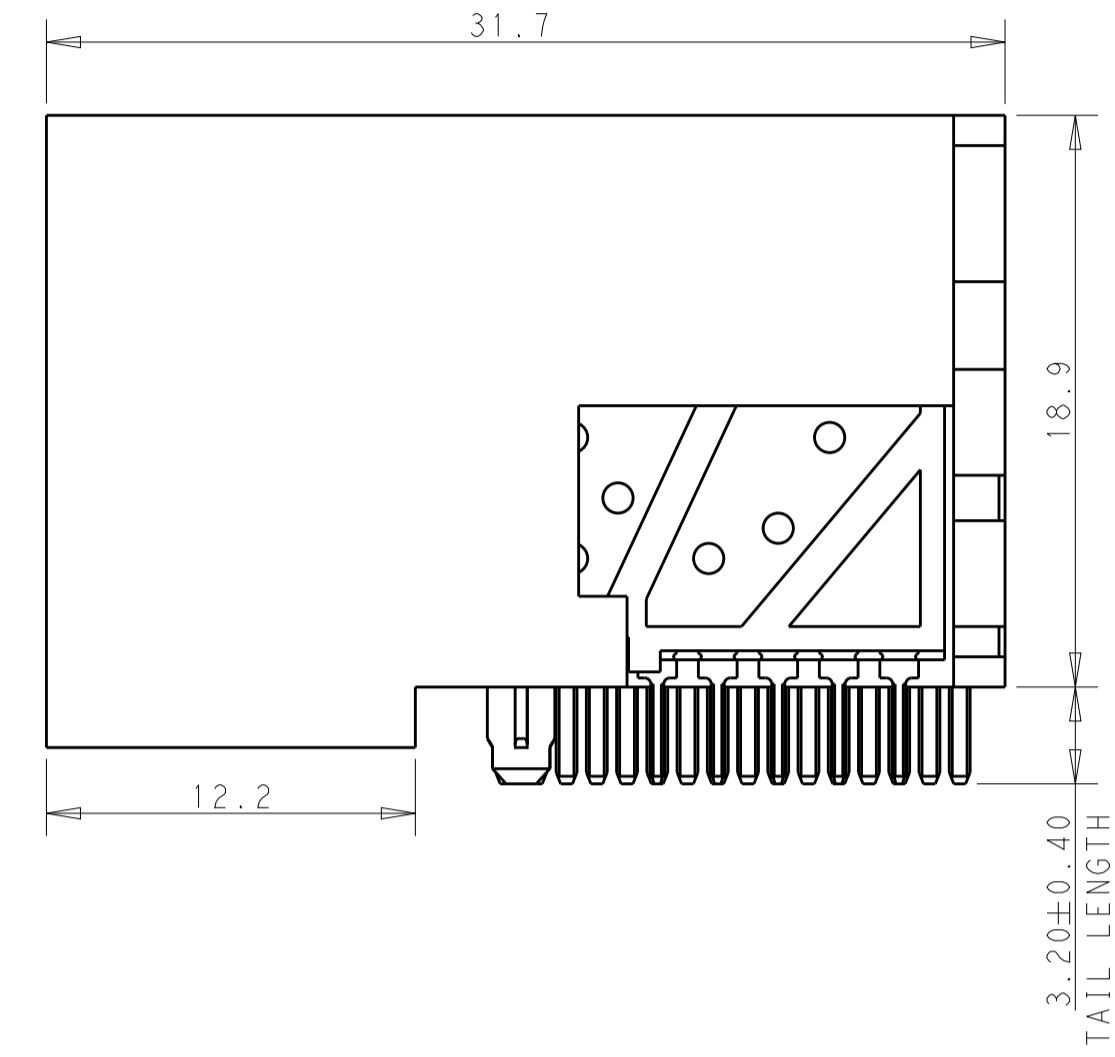
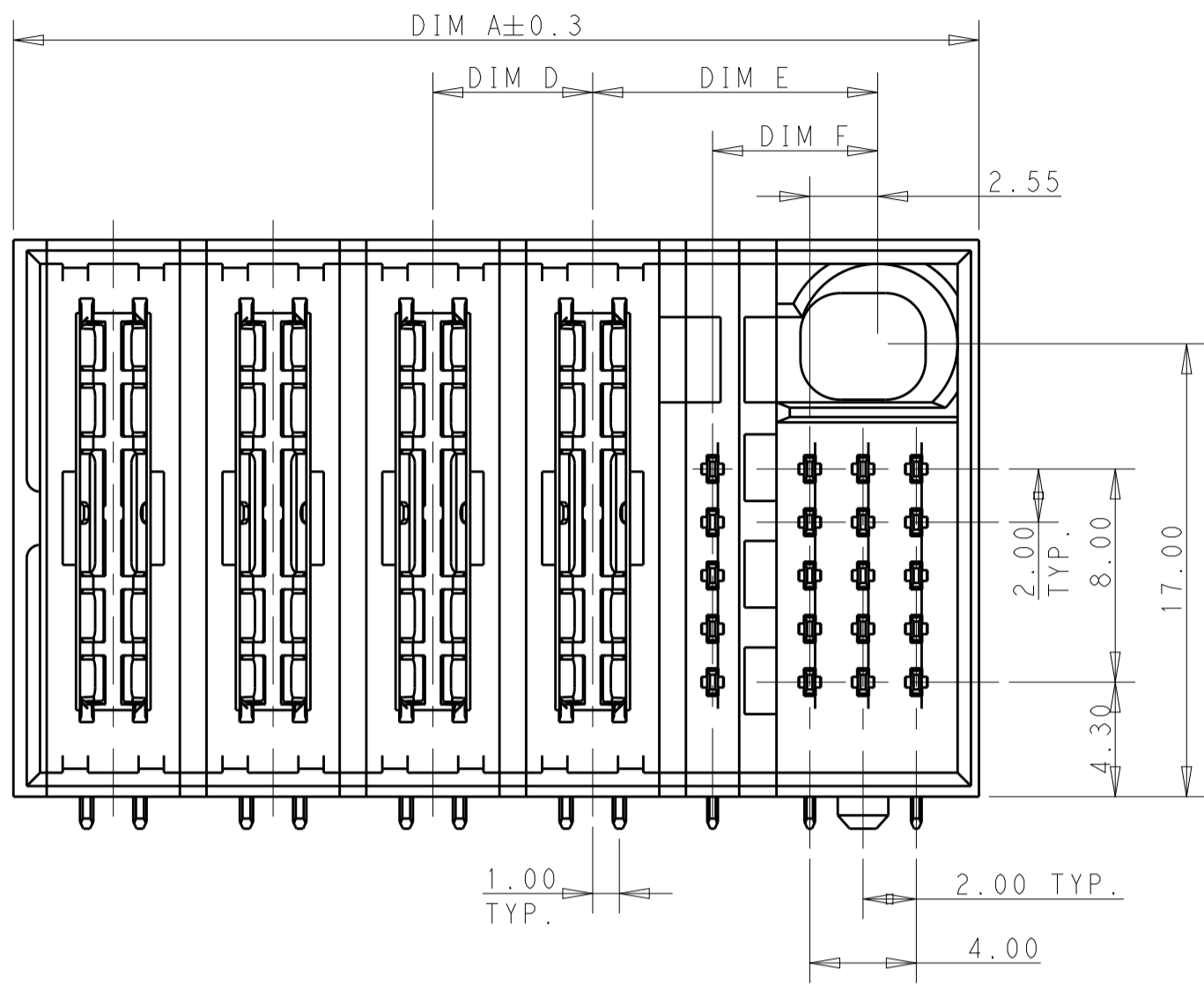


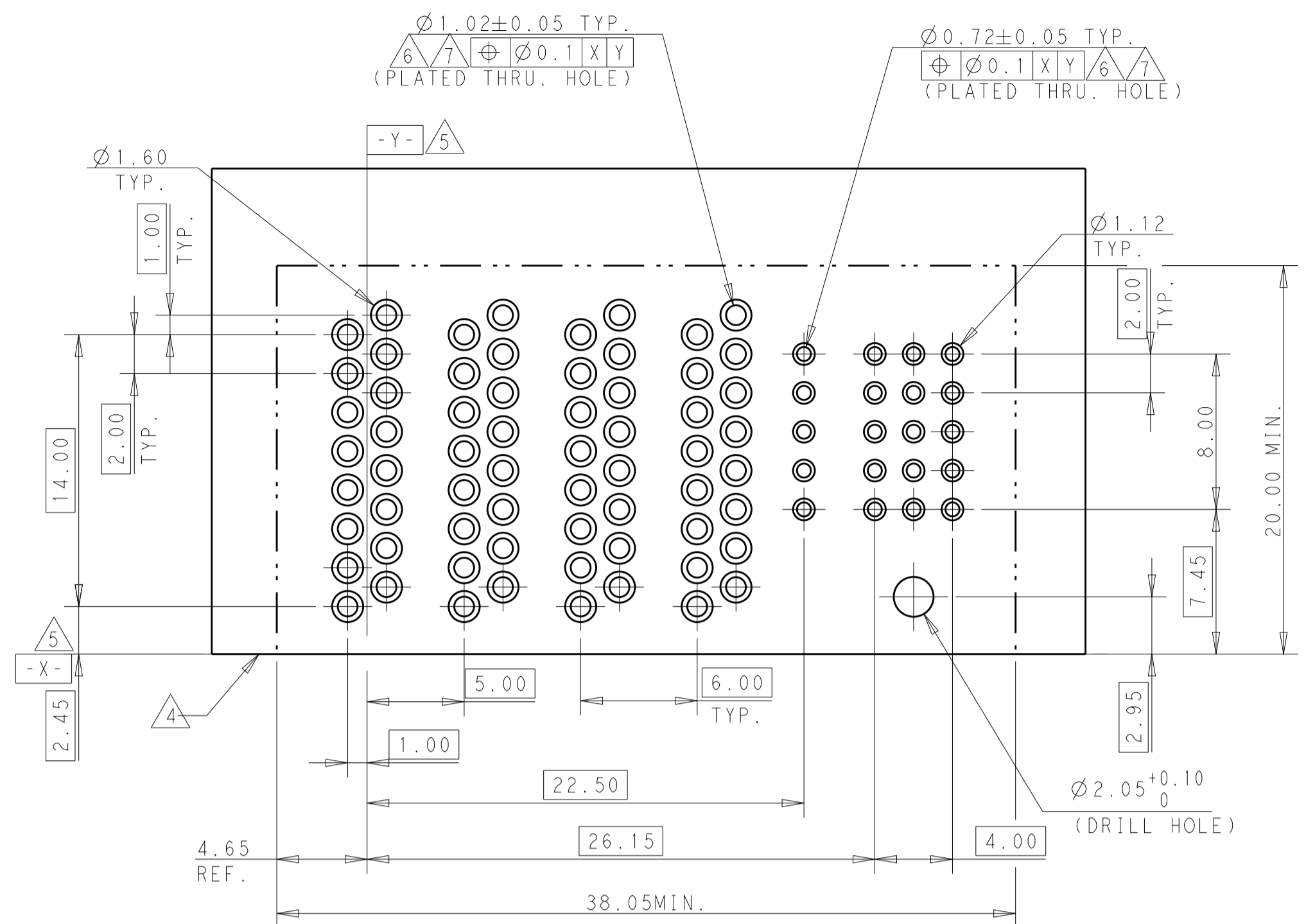
REVISIONS					
P.	LTM	DESCRIPTION	DATE	DMN	APVD
A5		ECR-18-001064	29JAN2018	TZ	SZ



NOTES, UNLESS OTHERWISE SPECIFIED:
 1. "TE", PART NUMBER AND DATE CODE TO BE MARKED IN AREA SHOWN.
 2. MATERIAL:
 HOUSING - GLASS FILLED HIGH TEMP THERMO PLASTIC, COLOR: BLACK, UL94 V- 0.
 SIGNAL CONTACT - HIGH CONDUCTIVITY COPPER ALLOY.
 POWER CONTACT - HIGH CONDUCTIVITY COPPER ALLOY.
 3. CONTACT PLATING:
 MATING AREA - NOBLE METAL OVERALL NICKEL
 TAIL SIDE AREA - MATTE TIN OVERALL NICKEL.
 4. MECHANICAL CONNECTOR KEEP OUT ZONE.
 5. DATUM AND BASIC DIMENSIONS ESTABLISHED BY CUSTOMER.
 6. PCB - ALL HOLE DIAMETERS ARE FINISHED HOLE SIZES.
 PCB HOLE:
 POWER - 1.15 ± 0.025 MM DRILLED HOLES SIZE PLATING WITH 0.0076 MM MIN. Sn OVER 0.025-0.076 MM Cu PLATING TO ACHIEVE A 1.02 MM DIA. HOLE.
 SIGNAL - 0.835 ± 0.025 MM DRILLED HOLES SIZE PLATING WITH 0.0076 MM MIN. Sn OVER 0.025-0.076 MM Cu PLATING TO ACHIEVE A 0.72 MM DIA. HOLE.

PRELIMINARY	5.00	20.70	25.70	6.20	10.70	5.00	38.25	2P+2LP+2P+20S	2204456-6
PRELIMINARY	5.00	20.70	25.70	6.20	10.70	5.00	38.25	2P+2LP+2P+20S	2204456-3
	-	-	-	6.20	10.70	6.00	36.25	4VP+20S	2204456-1
	DIM G.	DIM C.	DIM B.	DIM F.	DIM E.	DIM D.	DIM A.	DESCRIPTION	PART NUMBER
THIS DRAWING IS A CONTROLLED DOCUMENT.					DMN: 27JULY2016 CHK: THOMAS ZHAO		APVD: SUNY ZHAO		
DIMENSIONS:					TOLERANCES UNLESS OTHERWISE SPECIFIED:				
mm					0 PLC ±0.4 1 PLC ±0.4 2 PLC ±0.25 3 PLC ±0.15 4 PLC ±0.0001				
MATERIAL:					FINISH:				
2					3				
CUSTOMER DRAWING					SCALE: 4:1		SHEET 1 OF 3		REV: A5

REVISIONS				
P	LTN	DESCRIPTION	DATE	APP'D
-	-	SEE SHEET 1	-	-

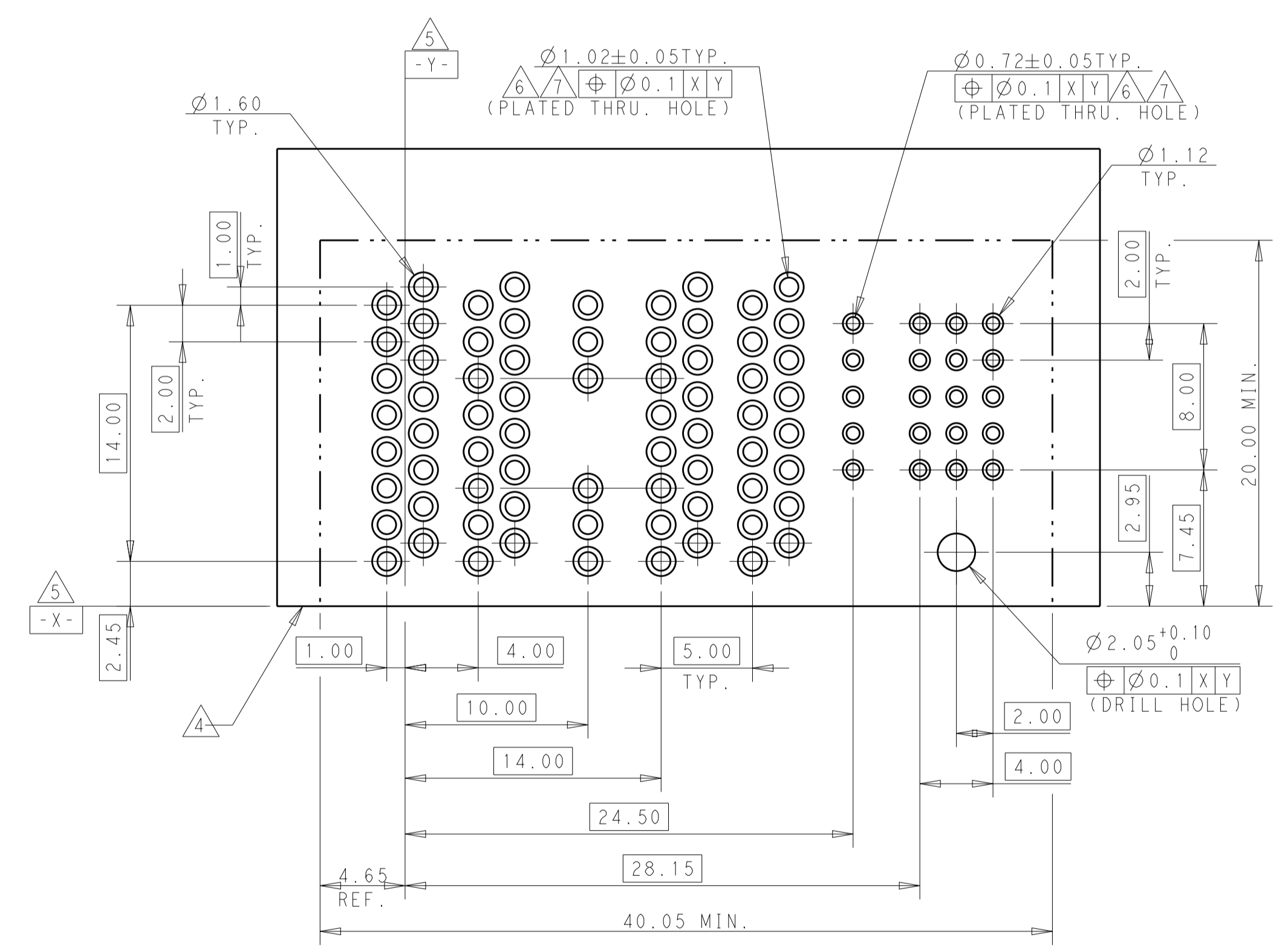


PCB LAYOUT PART NUMBER: 2204456-1

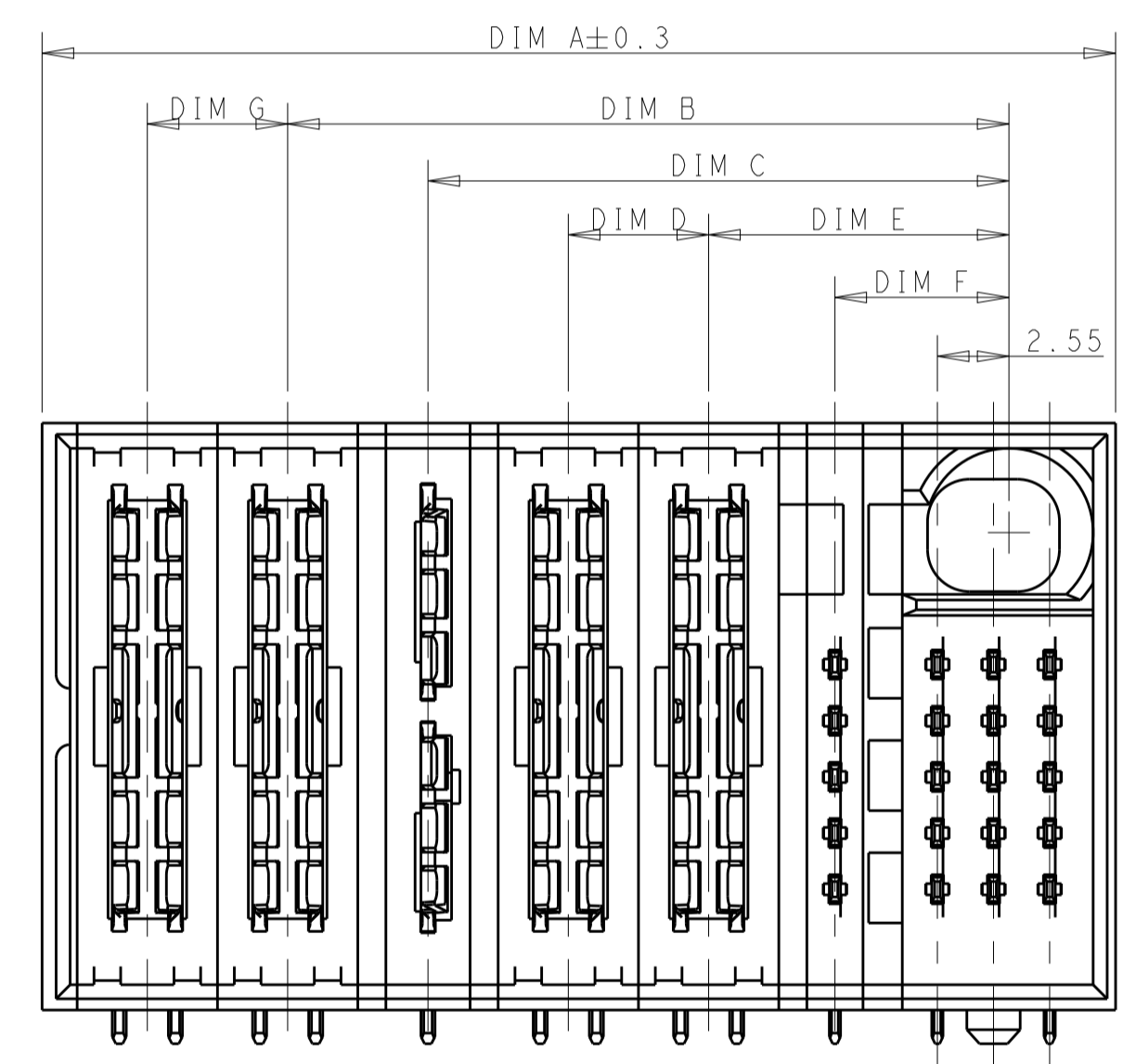
PART NUMBER	POWER				SIGNAL				ROWS
	P1	P2	P3	P4	I	2	3	4	
2204456-1	PK	PK	PK	PK	VK	VK	VK	VK	E D C B A
4VP+20S									

PART NUMBER	POWER				SIGNAL				ROWS	
	P1	P2	LP	P3	P4	I	2	3		4
2204456-3	PK	PK	LK1	PK	PK	VK	VK	VK	VK	E D C B A
2P+2LP+2P+20S										

PART NUMBER	POWER				SIGNAL				ROWS	
	P1	P2	LP	P3	P4	I	2	3		4
2204456-6	PK	PK	LK1	PK	PK	VJ1	VJ2	VJ1	VJ1	E D C B A
2P+2LP+2P+20S										



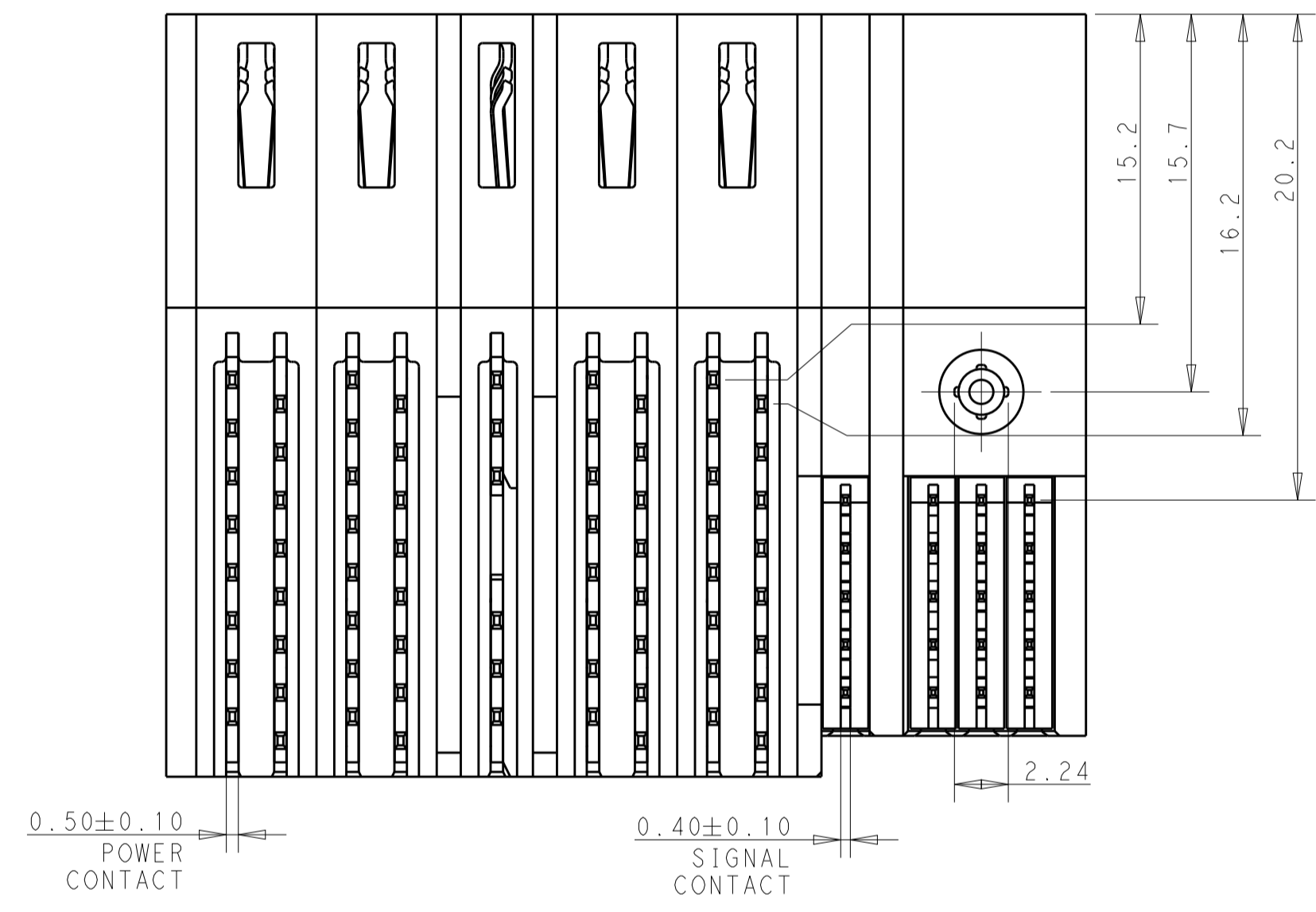
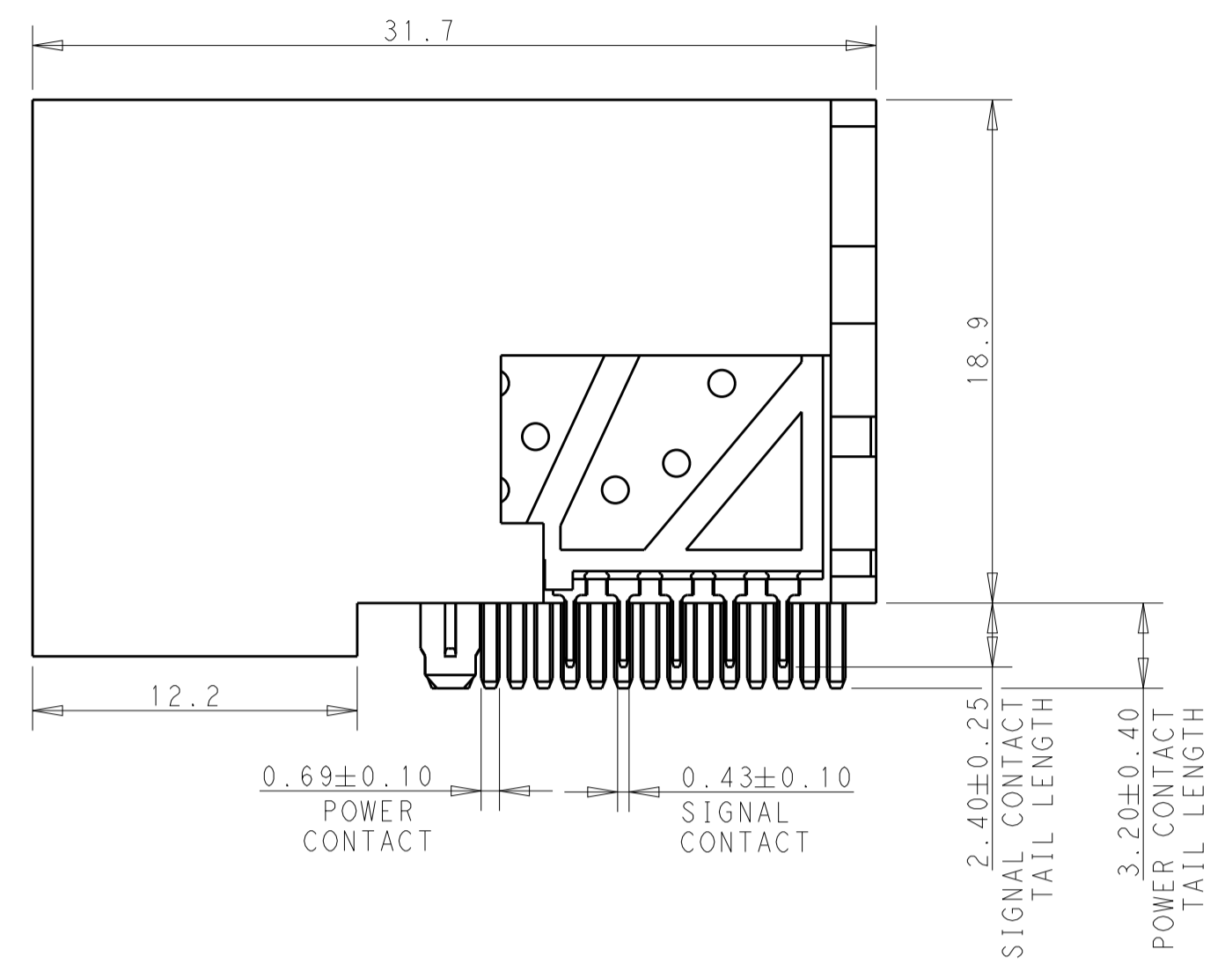
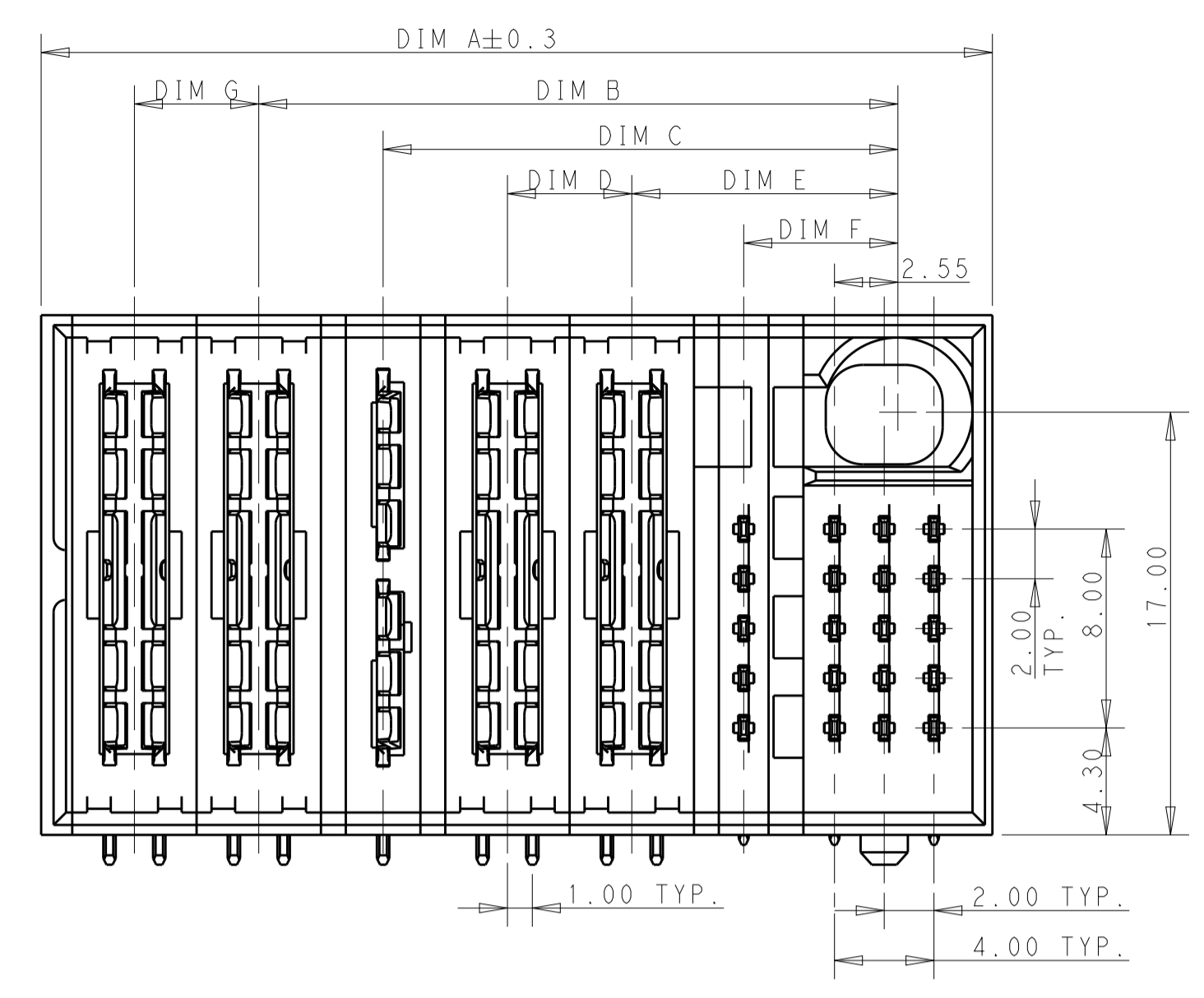
PCB LAYOUT PART NUMBER: 2204456-3/6



DESCRIPTION	CODE
POWER CONTACT SOLDER TYPE	PK
TOP LOW POWER CONTACT	LK1
BOTTOM LOW POWER CONTACT	LK2
I/M SIGNAL CONTACT STANDARD SOLDER TAIL LENGTH 2.4MM	VJ1
I/M SIGNAL CONTACT MLBF SOLDER TAIL LENGTH 2.4MM	VJ2
I/M SIGNAL CONTACT STANDARD SOLDER TAIL LENGTH 3.2MM	VK1
I/M SIGNAL CONTACT MLBF SOLDER TAIL LENGTH 3.2MM	VK2
HP/SIGNAL WITH SINGAL GUIDE	HOUSING
DESCRIPTION	CODE

THIS DRAWING IS A CONTROLLED DOCUMENT.		DWN: THOMAS ZHAO 27JULY2016 CHK: SUNY ZHAO 27JULY2016 APP'D: SUNY ZHAO 27JULY2016	TE Connectivity
DIMENSIONS: mm 	TOLERANCES UNLESS OTHERWISE SPECIFIED: 0 PLC ±0.4 2 PLC ±0.25 3 PLC ±0.15 4 PLC ±0.0001 ANGLES ±0.0001	NAME: CUSTOMER DRAWING R/A PLUG WITH SINGAL GIDE MULTI-BEAM HD SOLDER TYPE	
MATERIAL	FINISH	WEIGHT SIZE: A1 CAGE CODE: - DRAWING NO: C=2204456	RESTRICTED TO: - SCALE: 3:1 SHEET: 2 OF 3 REV: A5

REVISIONS				
P.	LTN	DESCRIPTION	DATE	APVD
-	-	SEE SHEET 1	-	-



PART NUMBER: 2204456-6

THIS DRAWING IS A CONTROLLED DOCUMENT.		DWN THOMAS ZHAO 27JULY2016	TE Connectivity
		CHK SUNY ZHAO 27JULY2016	
DIMENSIONS:		APVD SUNY ZHAO 27JULY2016	NAME CUSTOMER DRAWING R/A PLUG WITH SINGAL GIDE MULTI-BEAM HD SOLDER TYPE
TOLERANCES UNLESS OTHERWISE SPECIFIED: mm 0 PLC \pm 1 PLC ± 0.4 2 PLC ± 0.75 3 PLC ± 1.5 4 PLC ± 0.0001 ANGLES \pm		PRODUCT SPEC	
MATERIAL		FINISH	APPLICATION SPEC
		WEIGHT	RESTRICTED TO
		CUSTOMER DRAWING	SIZE A1 CAGE CODE - DRAWING NO. C=2204456
		SCALE 4:1	SHEET 3 OF 3 REV A5