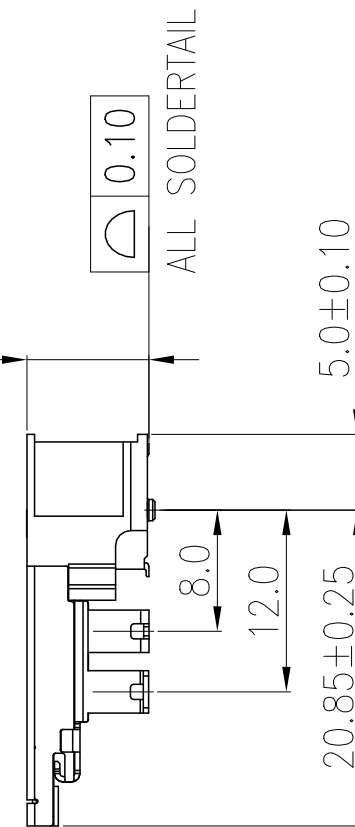
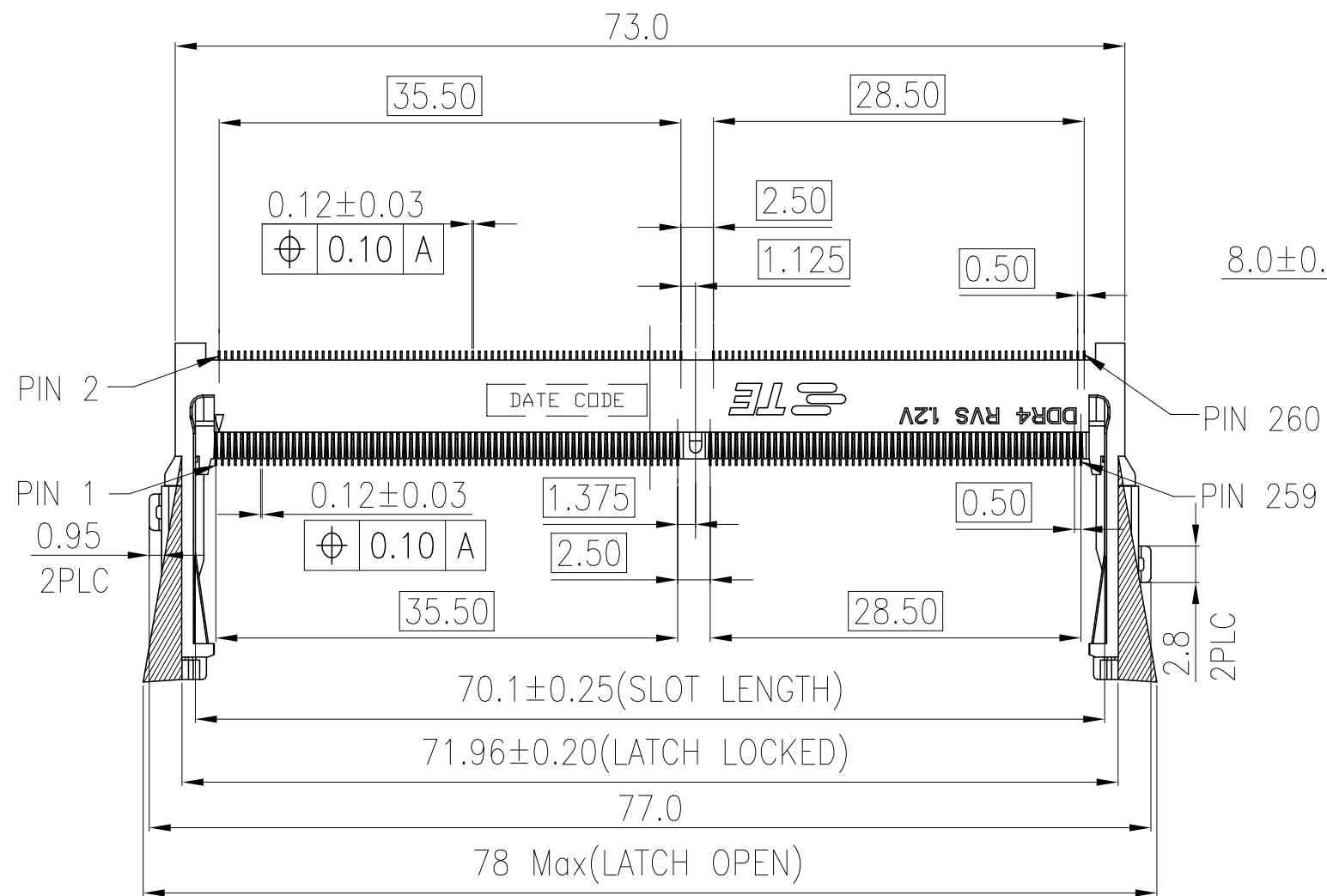
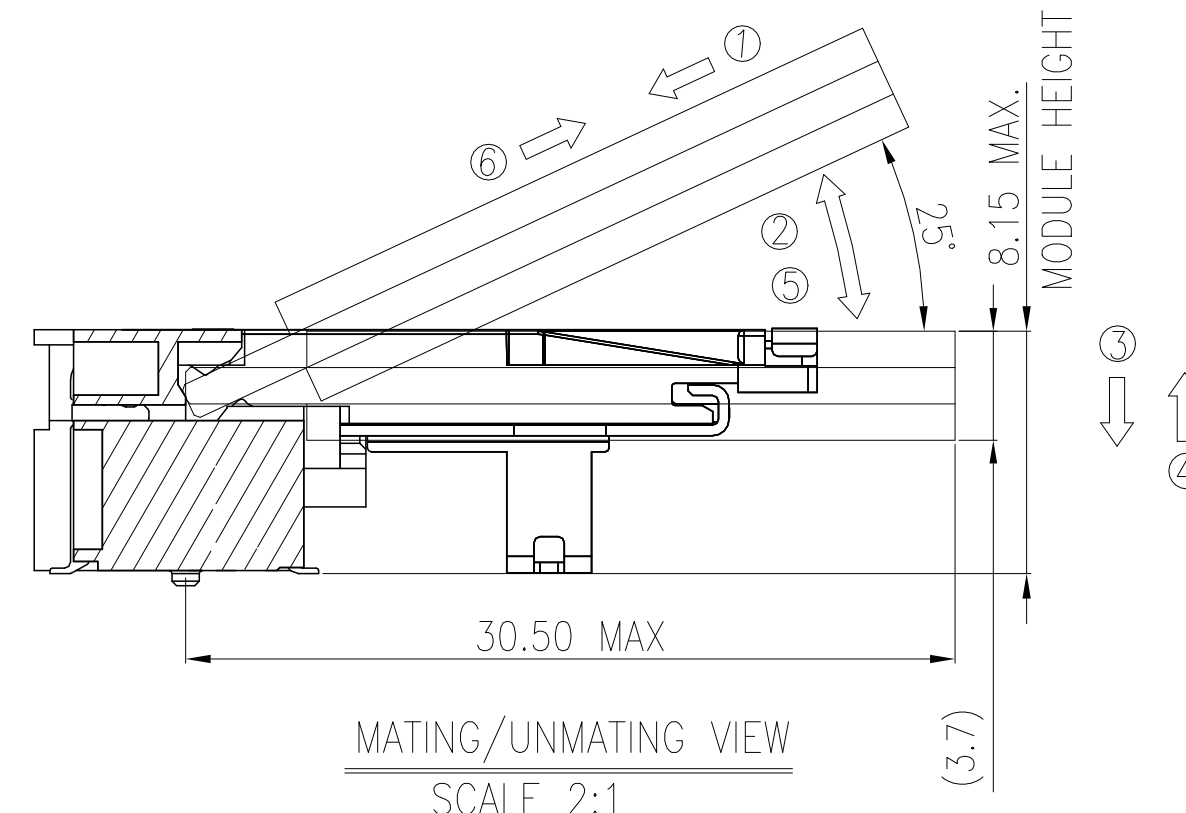
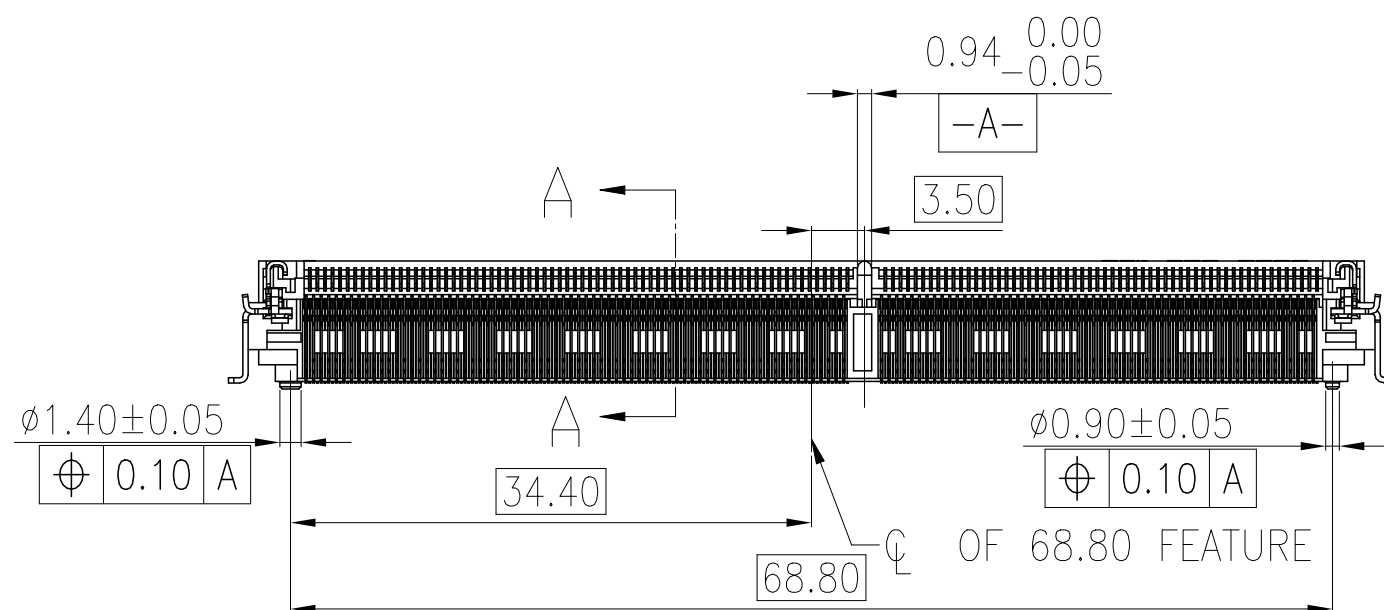


REVISIONS					
P	LTR	DESCRIPTION	DATE	DWN	APVD
4		CHANGE DIM 0.80 TO 0.74 +/-0.08	16NOV2020	SS	DZ

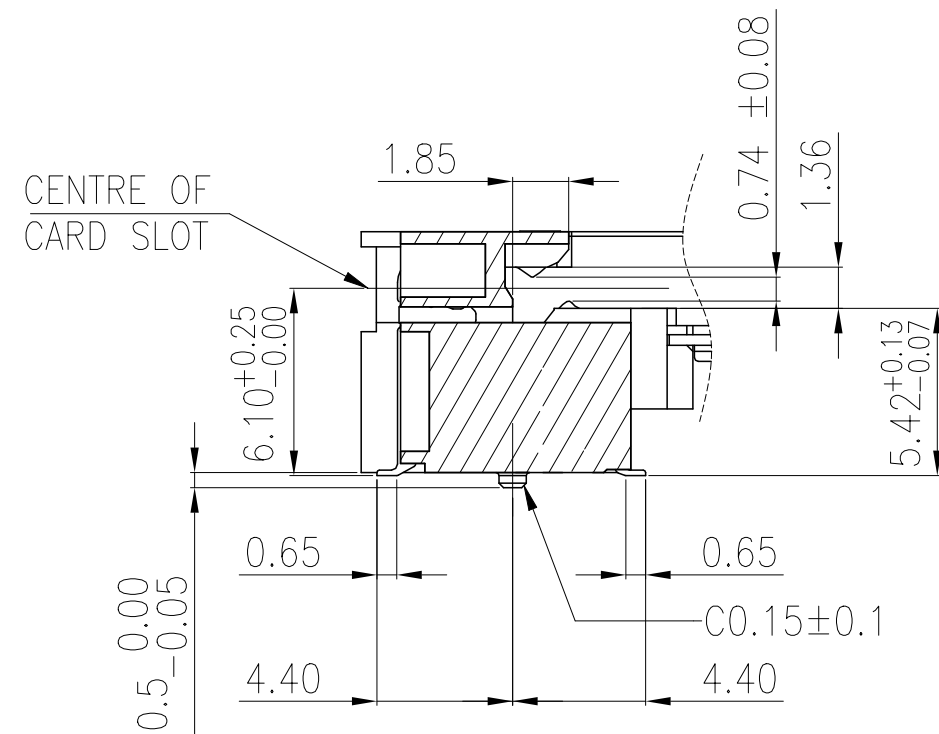


NOTES:

- MATERIAL:
 - HOUSING: HIGH TEMPERATURE THERMO PLASTIC, UL94V-0, COLOR: BLACK.
 - CONTACT: COPPER ALLOY.
 - SOLDER PEG AND LATCH: STAINLESS STEEL.
- FINISH:
 - SOLDER PEG: GOLD FLASH ON 50u" MIN NICKEL UNDERPLATED ALL OVER.
 - CONTACT SOLDER AREA: GOLD FLASH ON SOLDER TAIL.
 - CONTACT AREA: GOLD FLASH ON 50u" MIN NICKEL UNDERPLATED ALL OVER.
 - CONTACT AREA: 5u" ON 50u" MIN NICKEL UNDERPLATED ALL OVER.
 - CONTACT AREA: 10u" ON 50u" MIN NICKEL UNDERPLATED ALL OVER.
 - CONTACT AREA: 15u" ON 50u" MIN NICKEL UNDERPLATED ALL OVER.
 - CONTACT AREA: 30u" ON 50u" MIN NICKEL UNDERPLATED ALL OVER.
- COPLANARITY: 0.10 MAX. (BEFORE SOLDERING)



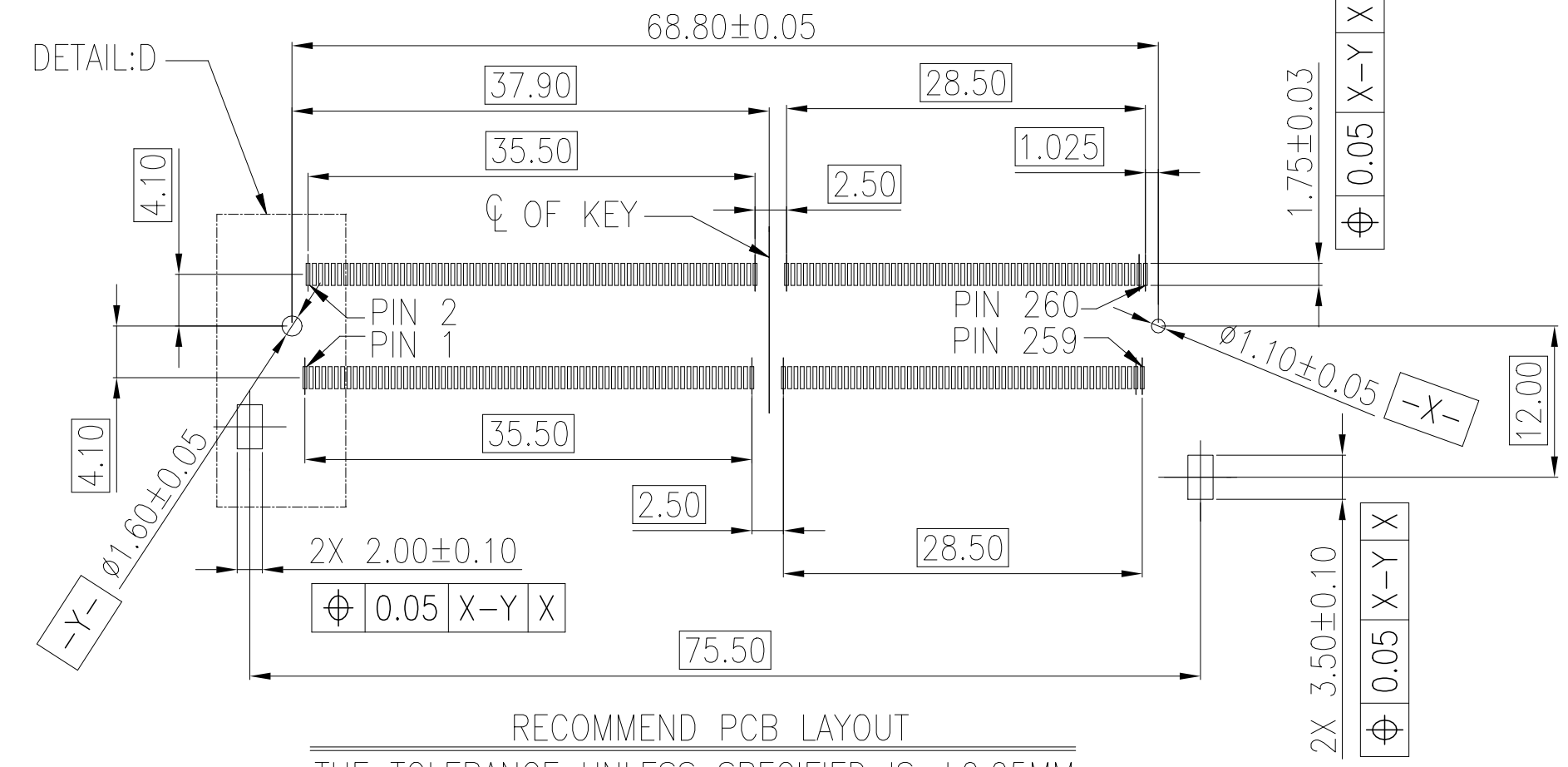
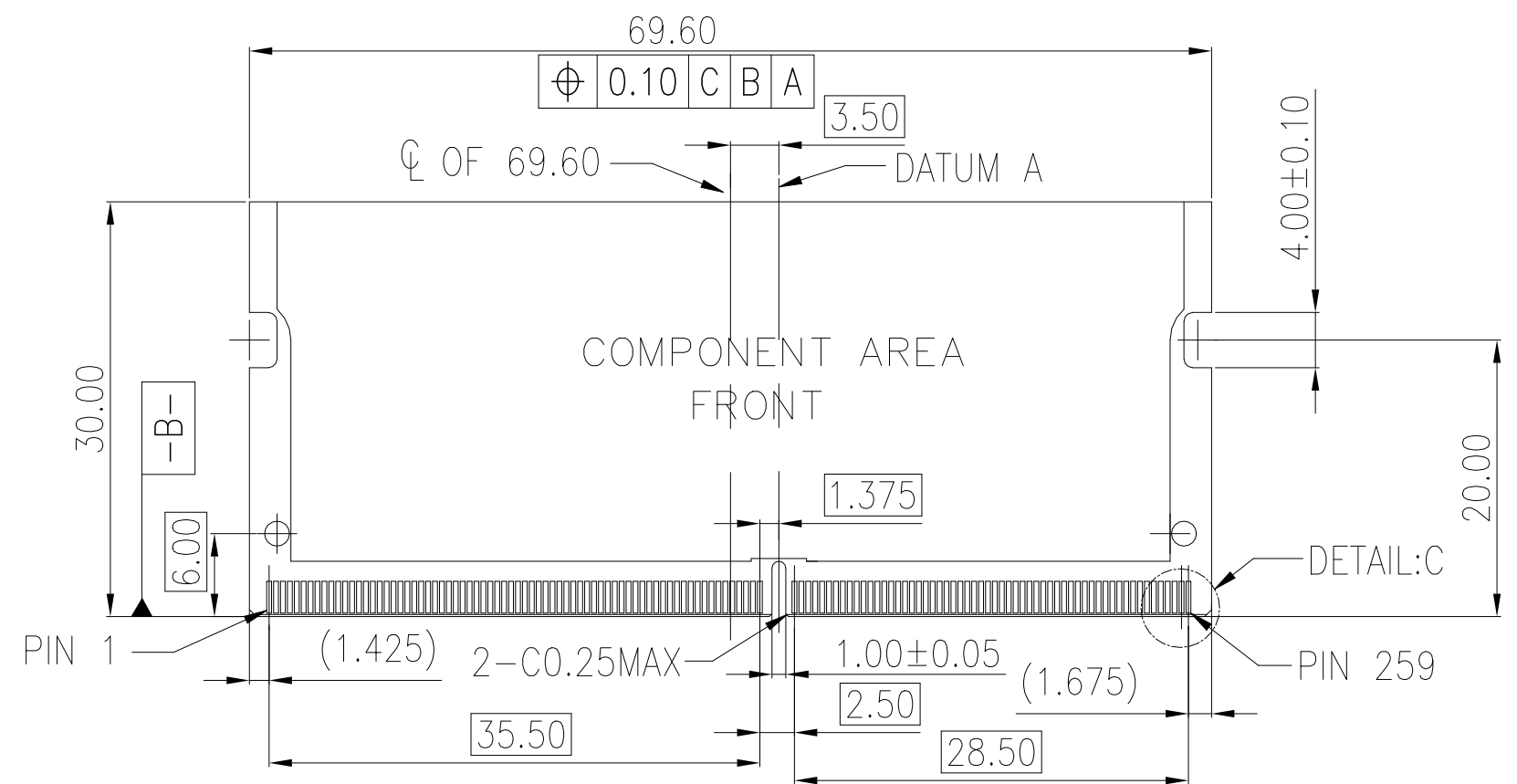
MATING: ① INSERTING (30°) → ② ROTATING → ③ FIXED
 UNMATING: ④ UNFIXED → ⑤ ROTATING → ⑥ WITHDRAWING



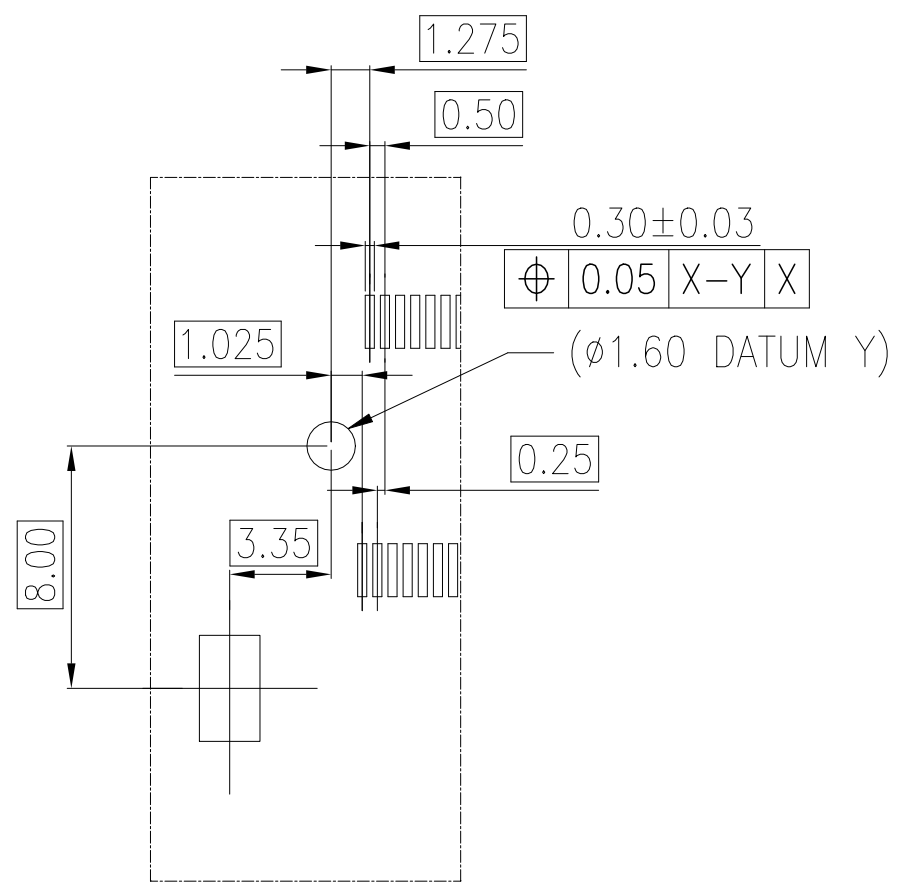
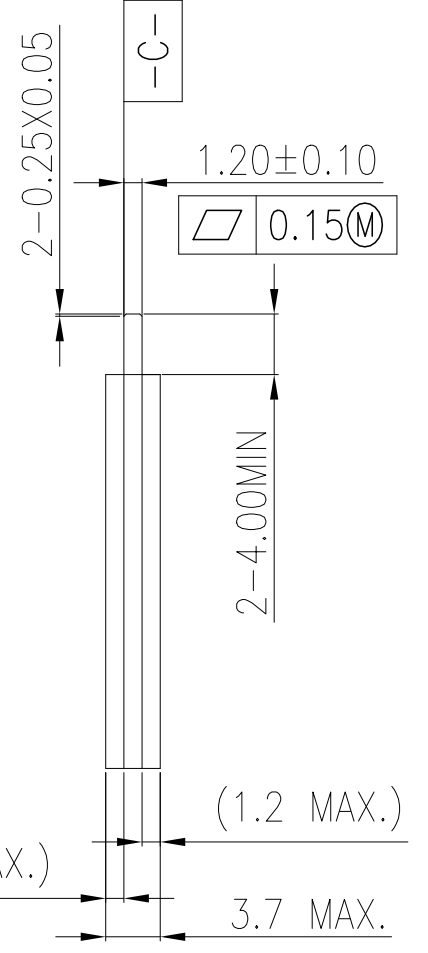
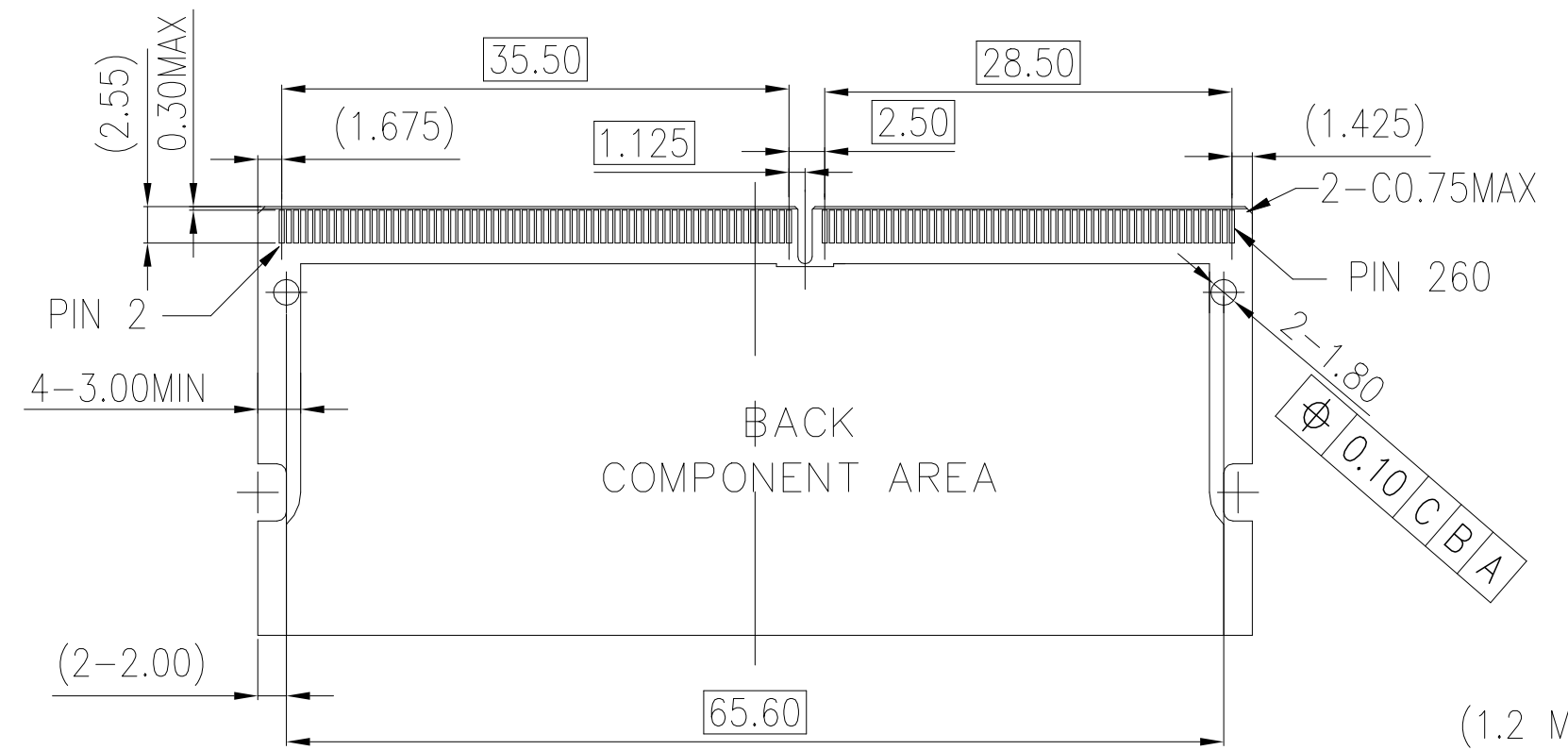
TAPE&REEL	BLACK	1.2V	30u"	260	2309412-5
TAPE&REEL	BLACK	1.2V	15u"	260	2309412-4
TAPE&REEL	BLACK	1.2V	10u"	260	2309412-3
TAPE&REEL	BLACK	1.2V	5u"	260	2309412-2
TAPE&REEL	BLACK	1.2V	GF	260	2309412-1
PACKING TYPE	HOUSING COLOR	POWER SUPPLY	FINISH	POS	PART NO.

THIS DRAWING IS A CONTROLLED DOCUMENT.		DWN DAVID ZHAO 09SEP2016			
DIMENSIONS: mm		CHK RICHARD MA 09SEP2016			
TOLERANCES UNLESS OTHERWISE SPECIFIED:		APVD SIMON LI 09SEP2016			
0 PLC ± - 1 PLC ± 0.25 2 PLC ± 0.15 3 PLC ± 0.10 4 PLC ± - ANGLES ± - FINISH ± -		NAME: 108-115122			
MATERIAL		PRODUCT SPEC: 108-115122	NAME: DDR4 SODIMM SOCKET 0.5mm PITCH 260POS 8.0mm HEIGHT REVERSE TYPE		
		APPLICATION SPEC: -	SIZE: A2	CAGE CODE: 00779	DRAWING NO: C=2309412
		WEIGHT: -	RESTRICTED TO: -		
		CUSTOMER DRAWING	SCALE: 1:1	SHEET: 1 of 3	REV: 4

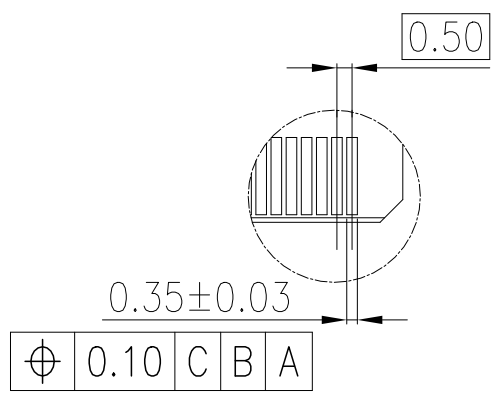
REVISIONS					
P	LTR	DESCRIPTION	DATE	OWN	APVD
-	-	-	-	-	-



RECOMMEND PCB LAYOUT
 THE TOLERANCE UNLESS SPECIFIED IS ±0.05MM



DETAIL:D
 SCALE 2:1

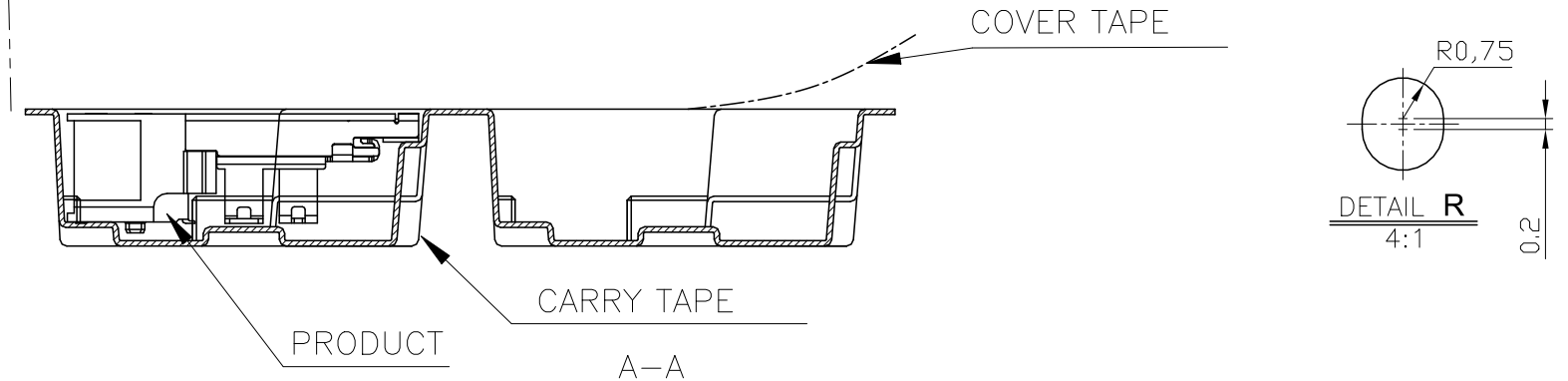
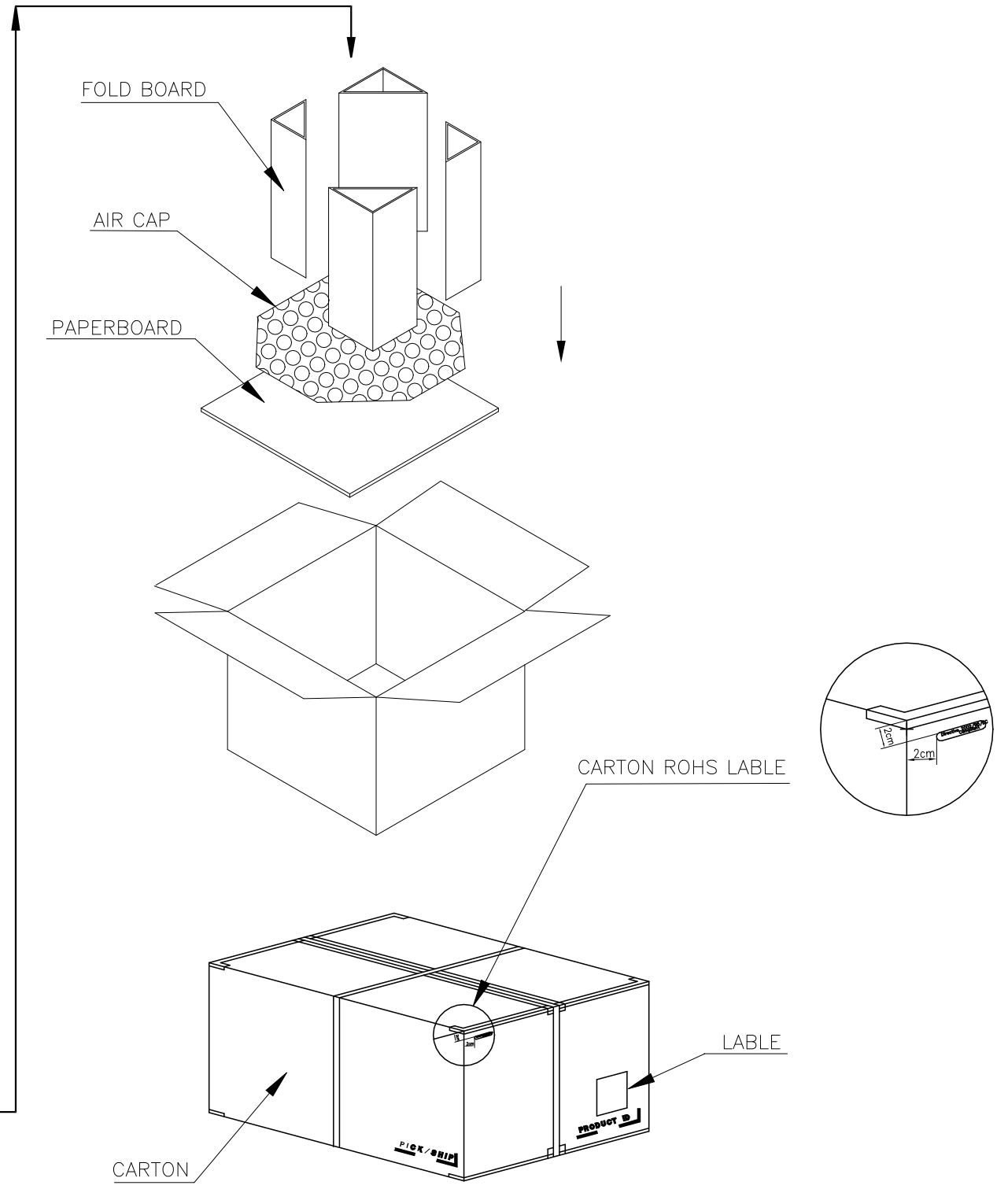
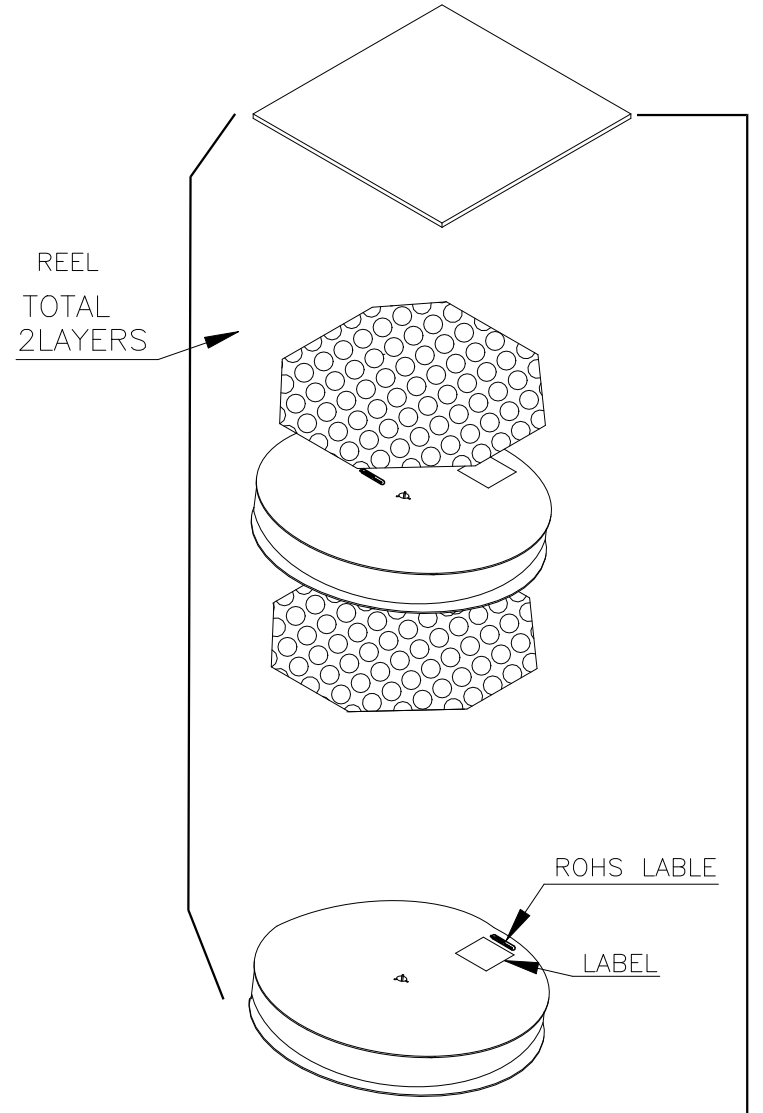
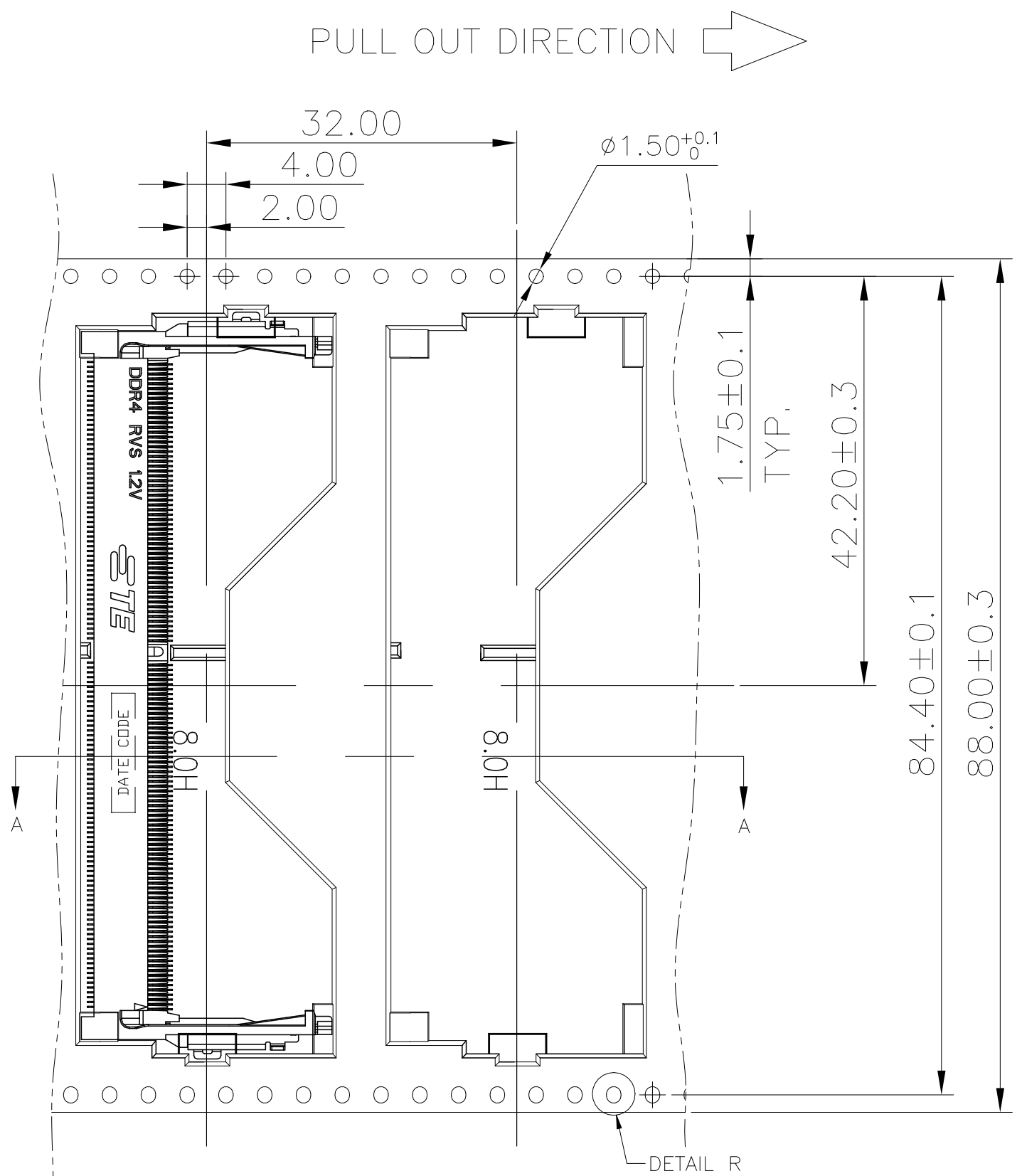
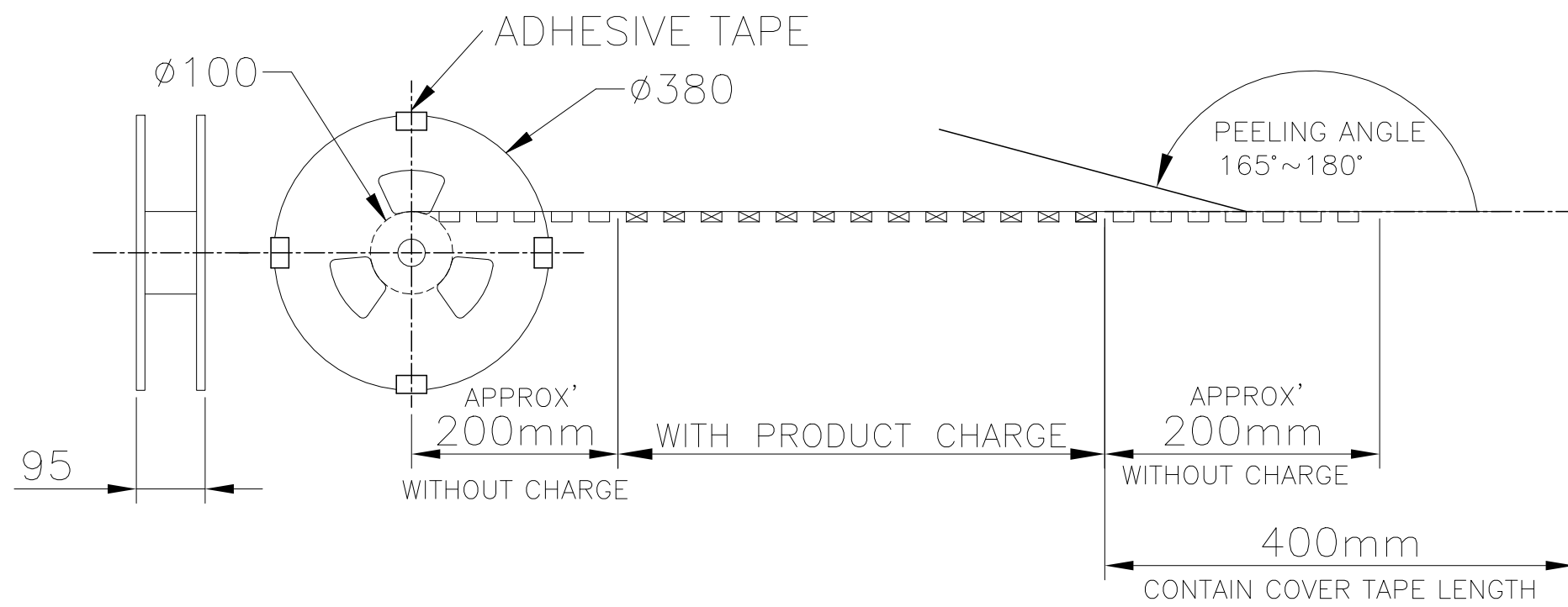


DETAIL:C
 SCALE 2:1

THIS DRAWING IS A CONTROLLED DOCUMENT.		OWN DAVID ZHAO 09SEP2016		
DIMENSIONS: mm		CHK RICHARD MA 09SEP2016		
TOLERANCES UNLESS OTHERWISE SPECIFIED:		APVD SIMON LI 09SEP2016	NAME	
0 PLC ±	1 PLC ±	PRODUCT SPEC	DDR4 SODIMM SOCKET	
2 PLC ±	3 PLC ±	APPLICATION SPEC	0.5mm PITCH 260POS	
4 PLC ±	ANGLES ±	WEIGHT	8.0mm HEIGHT REVERSE TYPE	
MATERIAL		CUSTOMER DRAWING	SIZE A2	RESTRICTED TO
FINISH		SCALE 1:1	CAGE CODE 00779	DRAWING NO. 2309412
		SHEET 2 OF 3	REV 4	

THIS DRAWING IS UNPUBLISHED. RELEASED FOR PUBLICATION
 © COPYRIGHT 2016 By TE connectivity ALL RIGHTS RESERVED.

REVISIONS					
P	LTR	DESCRIPTION	DATE	DWN	APVD
-	-	-	-	-	-



250	2	500	*-2309412-*
PCS/REEL	REEL/CARTON	PCS/CARTON	PART NUMBER

THIS DRAWING IS A CONTROLLED DOCUMENT.		DWN DAVID ZHAO 09SEP2016		
DIMENSIONS: mm		CHK RICHARD MA 09SEP2016		
TOLERANCES UNLESS OTHERWISE SPECIFIED:		APVD SIMON LI 09SEP2016	NAME	
0 PLC	±	PRODUCT SPEC	DDR4 SODIMM SOCKET	
1 PLC	±	APPLICATION SPEC	0.5mm PITCH 260POS	
2 PLC	±	WEIGHT	8.0mm HEIGHT REVERSE TYPE	
3 PLC	±	CUSTOMER DRAWING	SIZE A2	CAGE CODE 00779
4 PLC	±	SCALE 1:1	DRAWING NO C=2309412	RESTRICTED TO -
ANGLES	±	SHEET 3 of 3	REV 4	
FINISH	±			