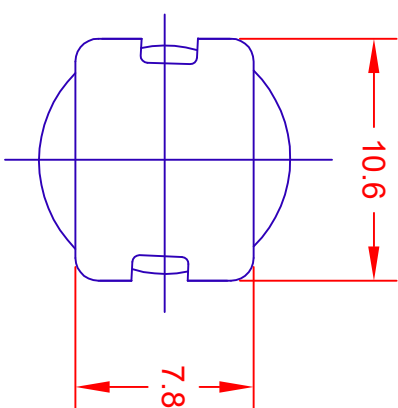
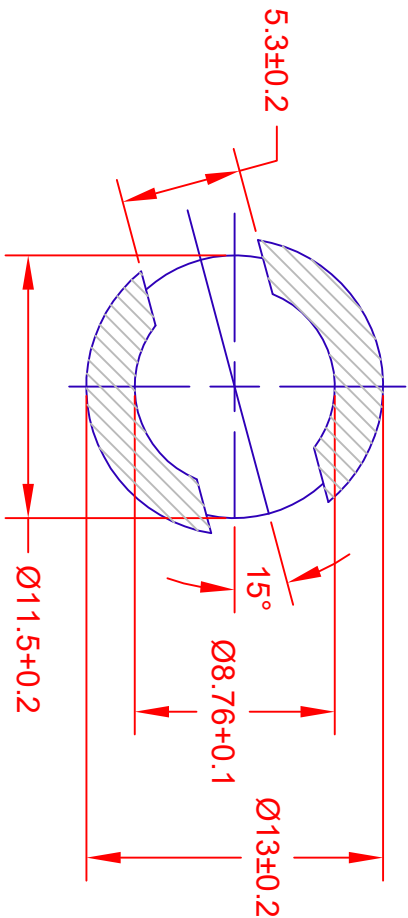
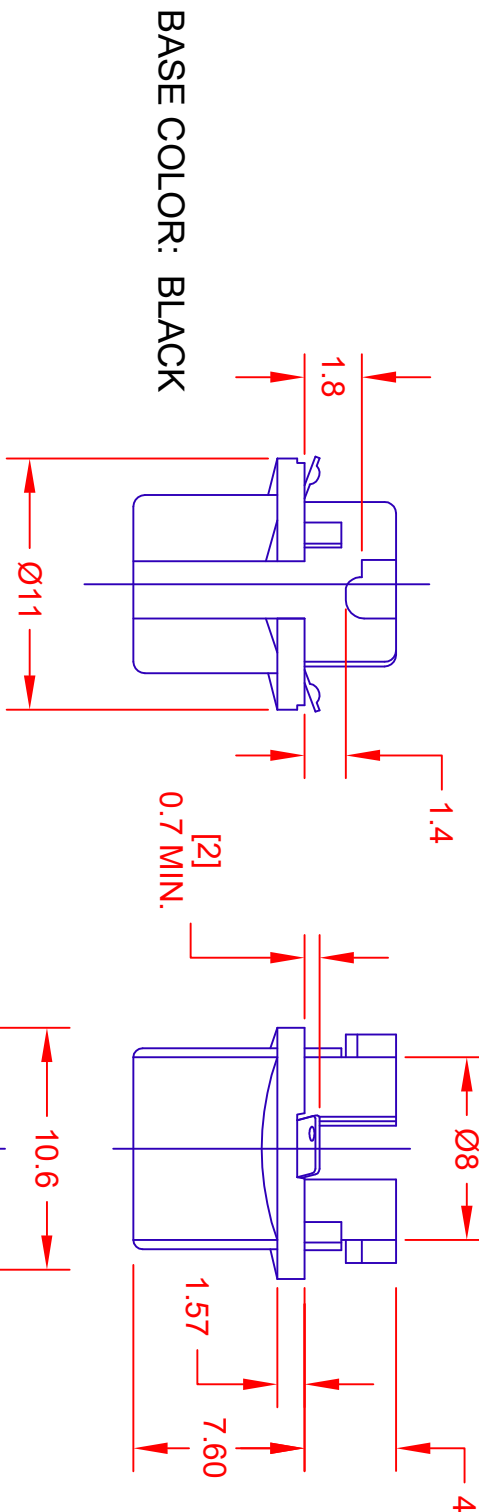
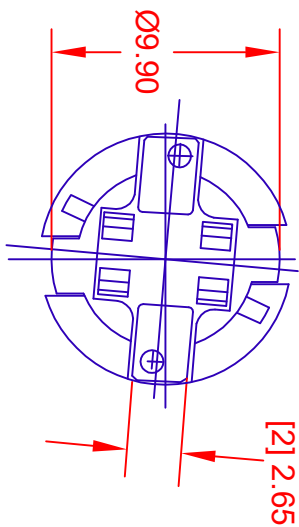


REV.	DESCRIPTION	DATE
	RELEASED	11/13/18
A	ADD HOLE PATTERN	4/24/19



JKL PART NO.: 2925

HOLE PATTERN
P.C. BOARD THICKNESS = 1.6±0.1

METRIC	DIMENSIONS ARE IN MILLIMETERS	TITLE
 THIRD ANGLE PROJECTION	TOLERANCE UNLESS OTHERWISE SPECIFIED 1 PL +/- 0 2 PL +/- 0 ANGLE +/-	JKL COMPONENTS CORPORATION T-1 3/4 WEDGE BASE SOCKET
DRAWN BY L. WENGSTROM	APP'D BY S.C.	DATE 11/13/18
- CAD DRAWING - MANUAL REVISIONS NOT PERMITTED	SCALE A	FSCM NO. 55335
	NONE	DRAWING NO. 2925
	RELEASED DATE 11/13/18	REVISION DATE 4/24/19
	REV. NO. A	SHEET 1 OF 1