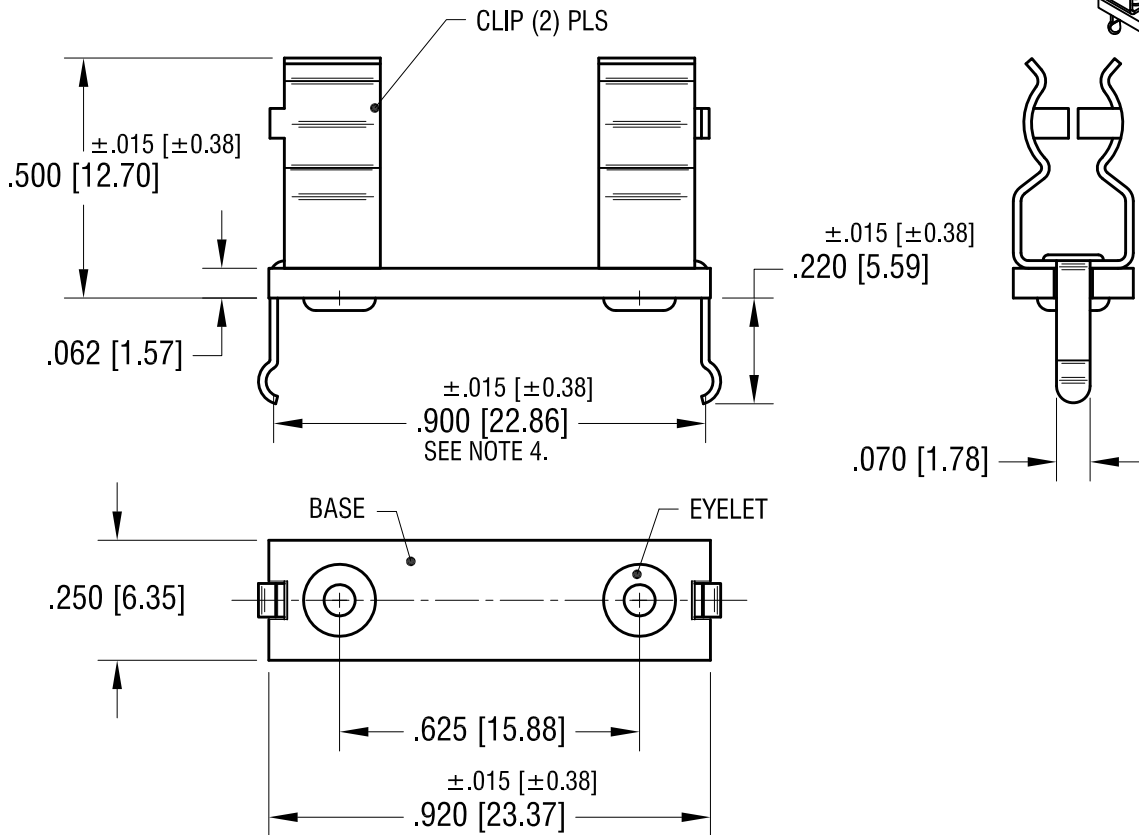



THIS DOCUMENT IS THE PROPERTY OF KEYSTONE ELECTRONICS CORP. AND SHALL NOT BE REPRODUCED, DISTRIBUTED OR USED AS A BASIS FOR MANUFACTURE WITHOUT PRIOR WRITTEN PERMISSION FROM KEYSTONE ELECTRONICS CORP.

ACTUAL SIZE



NOTES:

1. BASE :
MAT'L: .062 [1.57] TH'K G10
GLASS EPOXY UL 94V-0
2. CLIP:
MAT'L: .016 [0.40] TH'K BRASS
FINISH: MATTE TIN PLATE

3. EYELET :
MAT'L: .009 [0.22] TH'K BRASS
FINISH: BRIGHT ELECTRO TIN
4. MOUNTING HOLES TO BE
.078 [1.98] DIA. (2 PLS)
5.  FILE NUMBER: E354010

KEYSTONE ELECTRONICS CORP.			
www.keyelco.com • NEW HYDE PARK NY 11040 • Tel (516)328-7500			
PART NAME		PC 5mm FUSE HOLDER ASSY	
MATERIAL		AS NOTED	
FINISH	AS NOTED	DRN BY	BOONE
		DATE	2.9.94
		APP'D	MR
		SCALE	2.5X
TOLERANCES	INCH [MM]	CODE	DWG NO.
DECIMAL	± .005 [± 0.13]	C	
ANGULAR	± 1°		
UNLESS OTHERWISE SPECIFIED			3527

8.21.11	CHANGE AS PER ECN 11-115	A
DATE	DESCRIPTION	REV.