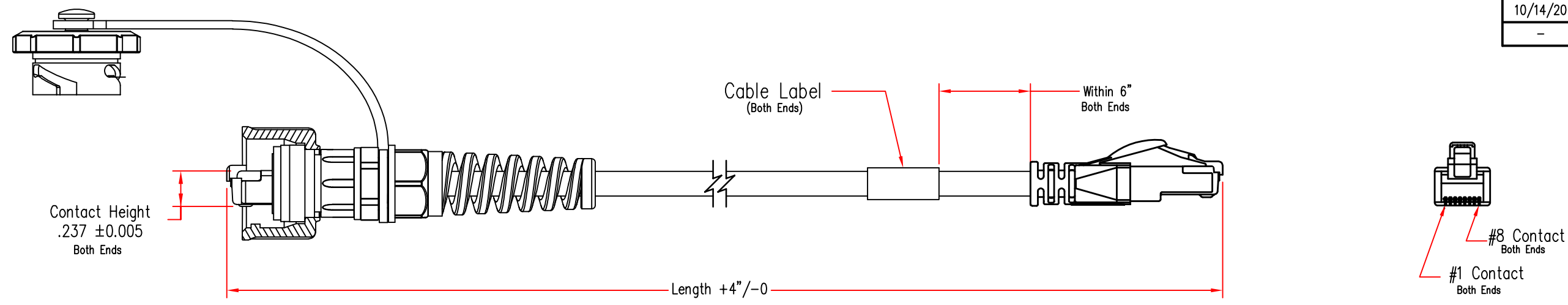


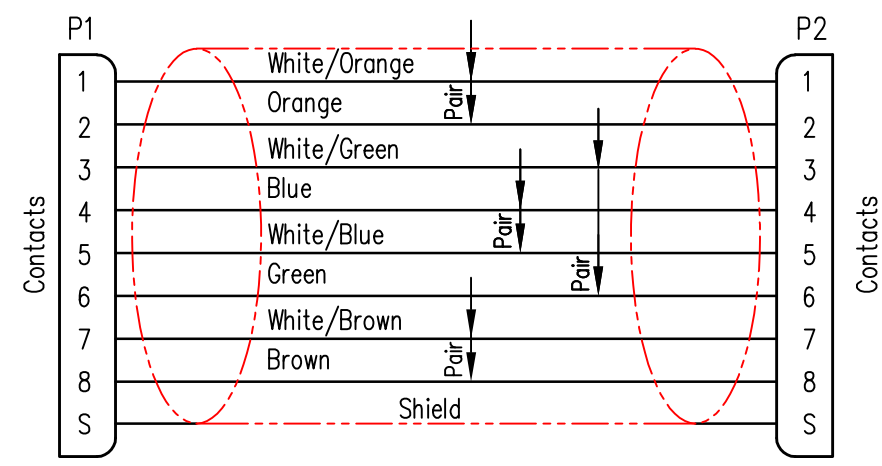
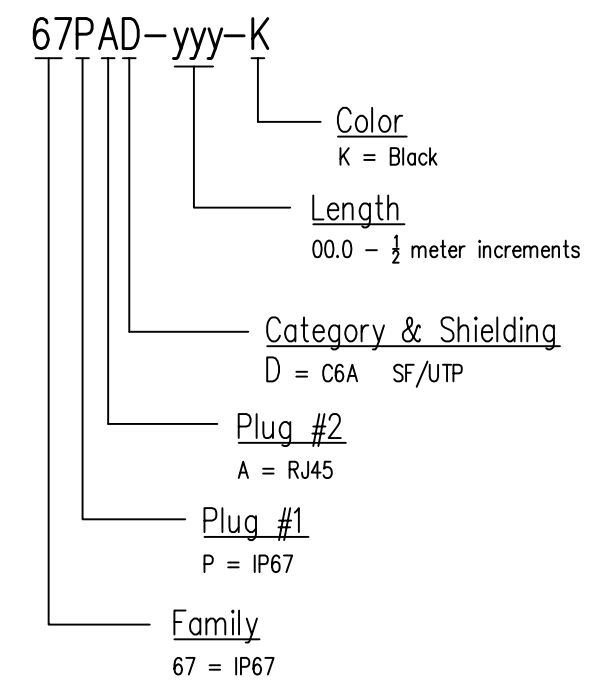
| DATE | REV | ECN | APP'D. BY |
|----------|-----|-----|-----------|
| 10/14/20 | A0 | - | BTS |
| - | - | - | - |



Notes:

- 1) Each cable assembly to be individually bagged.
- 2) Mates with SS-60400-029 Industrial Jack
- 3) Cable Construction:
 - 26AWG 7/34 Stranded T/C
 - 4Pr, SF/UTP
 - Polyurethane Jacket
 - O/A Dia 0.239" ±.010"
 - RoHS Compliant
- 4) For Product Specification see PR041-01

P/N Structure:



568B Standard Wiring Map

| Typical Part Numbers | |
|----------------------------------------------------------|--------------|
| Length (m) | C6a Shielded |
| 1.0 | 67PAD-010-K |
| 1.5 | 67PAD-015-K |
| 2.0 | 67PAD-020-K |
| 2.5 | 67PAD-025-K |
| 3.0 | 67PAD-030-K |
| 5.0 | 67PAD-050-K |
| 7.0 | 67PAD-070-K |
| 10.0 | 67PAD-100-K |
| For Part Numbers Not Shown Follow Part Number Key Format | |

| | | | | | | | |
|---------------------------------------------------------------------------------------------------------------|---------------------------------------------------------------------------------------------------------------------------------------------------------------------------------------------------------------------------------------------------------------------------------------------------------------------------------------------------------------------------------------------------------------------------------|-------------|---------------|--------------|---------------|------------------|---------|
| <p>THIRD ANGLE PROJECTION</p> | <p>1118 Susquehanna Trail South Glen Rock, PA 17327-9199 (717) 235-7512 http://www.stewartconnector.com</p> | | | | | | |
| <p>DO NOT SCALE DRAWING DRAWING IS SUBJECT TO CHANGE WITHOUT NOTICE</p> | <p>TITLE: IP67 Plug to RJ45 Plug Patchcord Assembly, C6A SF/UTP</p> | | | | | | |
| <p>DIMENSIONS: INCHES [METRIC] UNLESS OTHERWISE SPECIFIED TOLERANCES ARE ±.005 [0.13] ANGLES ARE ± 1°</p> | <p>THIS DRAWING AND THE SUBJECT MATTER SHOWN THEREON ARE CONFIDENTIAL AND THE PROPRIETARY PROPERTY OF STEWART CONNECTOR AND SHALL NOT BE REPRODUCED, COPIED, OR USED IN ANY MANNER WITHOUT PRIOR WRITTEN CONSENT OF STEWART CONNECTOR. ONE OR MORE U.S. PATENTS MAY APPLY TO THIS PRODUCT. FOR DETAILS, PLEASE VISIT: HTTP://BELFUSE.COM/STEWART/STEWART_PATENTS/</p> | | | | | | |
| <p>SHEET NO. 1 OF 1</p> | <table border="1"> <tr> <td>DRN BY: BTS</td> <td>DATE 10/08/20</td> </tr> <tr> <td>APPD BY: JME</td> <td>DATE 10/14/20</td> </tr> <tr> <td>DWG NO. CT999223</td> <td>REV. A0</td> </tr> </table> | DRN BY: BTS | DATE 10/08/20 | APPD BY: JME | DATE 10/14/20 | DWG NO. CT999223 | REV. A0 |
| DRN BY: BTS | DATE 10/08/20 | | | | | | |
| APPD BY: JME | DATE 10/14/20 | | | | | | |
| DWG NO. CT999223 | REV. A0 | | | | | | |

ASSEMBLY FORMAT REV. 6/3/05