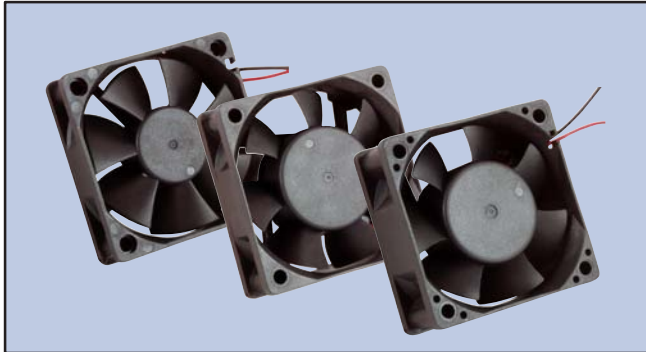


Fan, DC Types, 60 x 60mm



Features

- High Speed
- Ball Bearings
- 24 AWG Red (+) and Black (-) Leads
- 11.8" (300mm) Lead Length



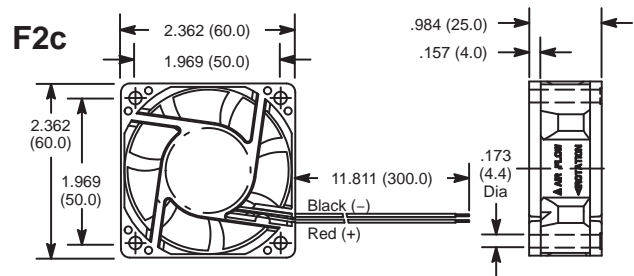
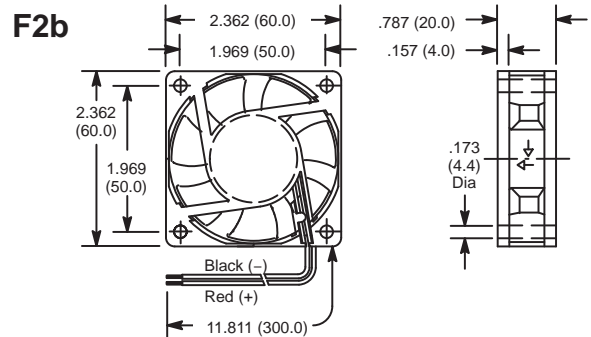
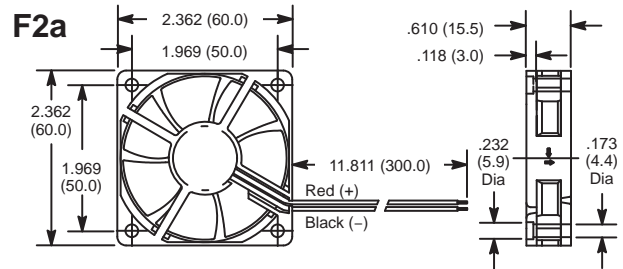
DC OPERATED

NTE Type No.	Rated Voltage	Max. Input Current	Max. Input Power (W)	Speed $\pm 10\%$ (RPM)	Max Air Flow (CFM)	Max Acoustical Noise	Diag No.
77-6015D12	12	0.20A	2.35	4500	18.62	39dB(A)	F2a
77-6015D24#	24	0.17A	4.14	4500	18.62	39dB(A)	F2a
77-6020D12	12	0.18A	2.21	4200	22.43	38dB(A)	F2b
77-6020D24#	24	0.15A	3.59	4200	22.43	38dB(A)	F2b
77-6025D12	12	0.16A	1.93	4000	19.25	32dB(A)	F2c
77-6025D24	24	0.16A	3.86	4000	19.25	32dB(A)	F2c

These devices do not meet UL approval

ACCESSORIES

FAN TYPE	DESCRIPTION	NTE TYPE NO.
60 X 60mm	Fan Guard, Metal	77-MG60



Specifications

Electrical Characteristics

Insulation Resistance: 10M \pm Min. (at 500VDC) between frame and positive terminal

Dielectric Strength: 500VAC, 1 minute; 600VAC, 1 sec at 5mA Max. between frame and positive terminal

Life Expectancy: Approx. 70000 hours at rated voltage, +40°C, 15% to 65% RH

Mechanical Characteristics

Frame: Thermoplastic, Black, UL94V-0

Impeller: Thermoplastic, Black, UL94V-0

Bearing: 2 Ball Bearings

Weight: Approx. 34g (15mm); 50g (20mm); 62g (25mm)

Environmental Characteristics

Operating Temperature: -10°C to +70°C

Storage Temperature: -40°C to +75°C

Operating Humidity: 35% to 85% RH

Storage Humidity: 35% to 85% RH

Protection

Polarity: Damage will not occur for up to 10 minutes with positive and negative leads connected in reverse.

Locked Rotor: Within 72 hours of a rotor locking condition, at the rated voltage and operating temperature, the impedance of the motor winding will protect the motor from damage.