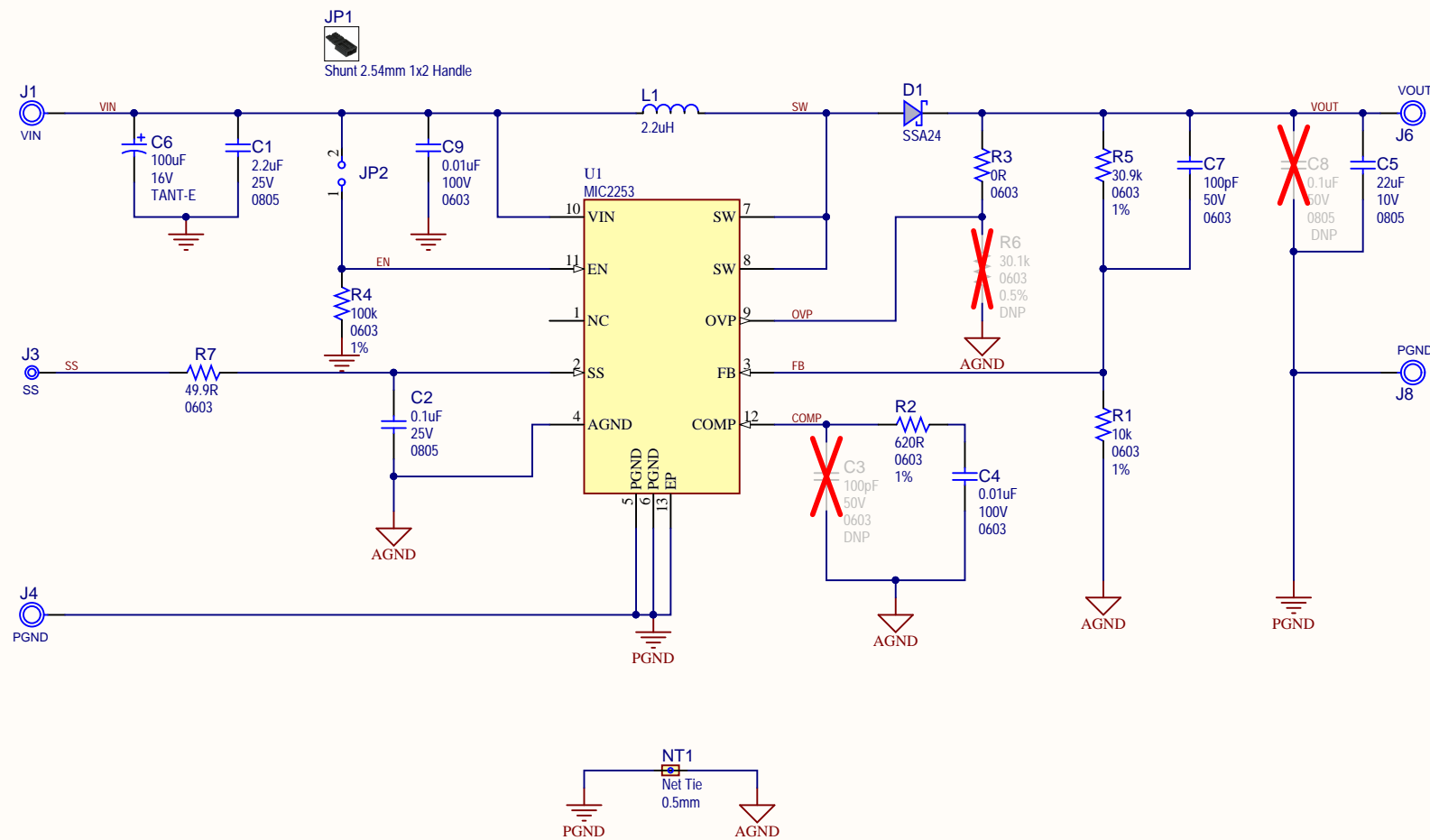


REV	ECO#	DESCRIPTION	DATE



LABEL1

02-	-R1
JIT	

LABEL Need Help Small

PAD1	PAD3
Rubber Pad Cyl D7.9H5.3	Rubber Pad Cyl D7.9H5.3
PAD2	PAD4
Rubber Pad Cyl D7.9H5.3	Rubber Pad Cyl D7.9H5.3

Drawn By: Alexandru Stoica	
Engineer: Alexandru Stoica	
PartNumber: ADM00891	Project Title: MIC2253-06YML Evaluation Board
Sheet Title: MIC2253-06YML Evaluation Board	
Size: B	Sch #03-10752 Revision:1
Date: 7/10/2018 12:53:53 PM	Sheet 1 of 1
File: MIC2253-06YML.SchDoc	

Designed with Altium.com