



180 MHz LC Band Pass Filter

Part Number: AE180B11181



Electrical Specifications

Center Frequency: 180 MHz
3dB Bandwidth: 9 MHz
Passband: 175.5-184.5 MHz
Insertion Loss: 7.5 dB Max @ 180 MHz
VSWR (In and Out): 1.25:1 Max @ 180 MHz
Stopbands: >80 dB @ 240 MHz
>40 dB @ 20 Max MHz

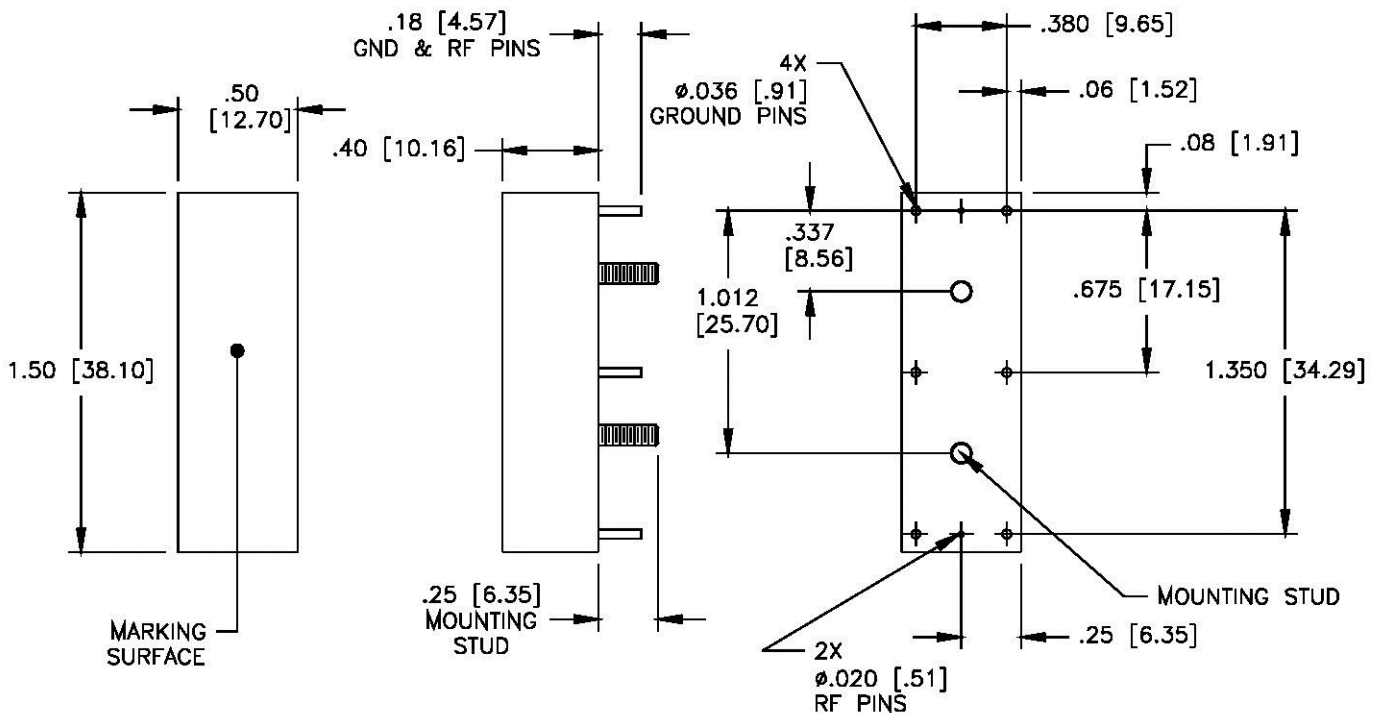
Mechanical

Connector Type: RF Pins
Dimensions: 1.50 x 0.50 x 0.40 Inches

Environmental

Operating Temperature: -20 to +70° C
Storage Temperature: -45 to +85° C

Outline Drawing:



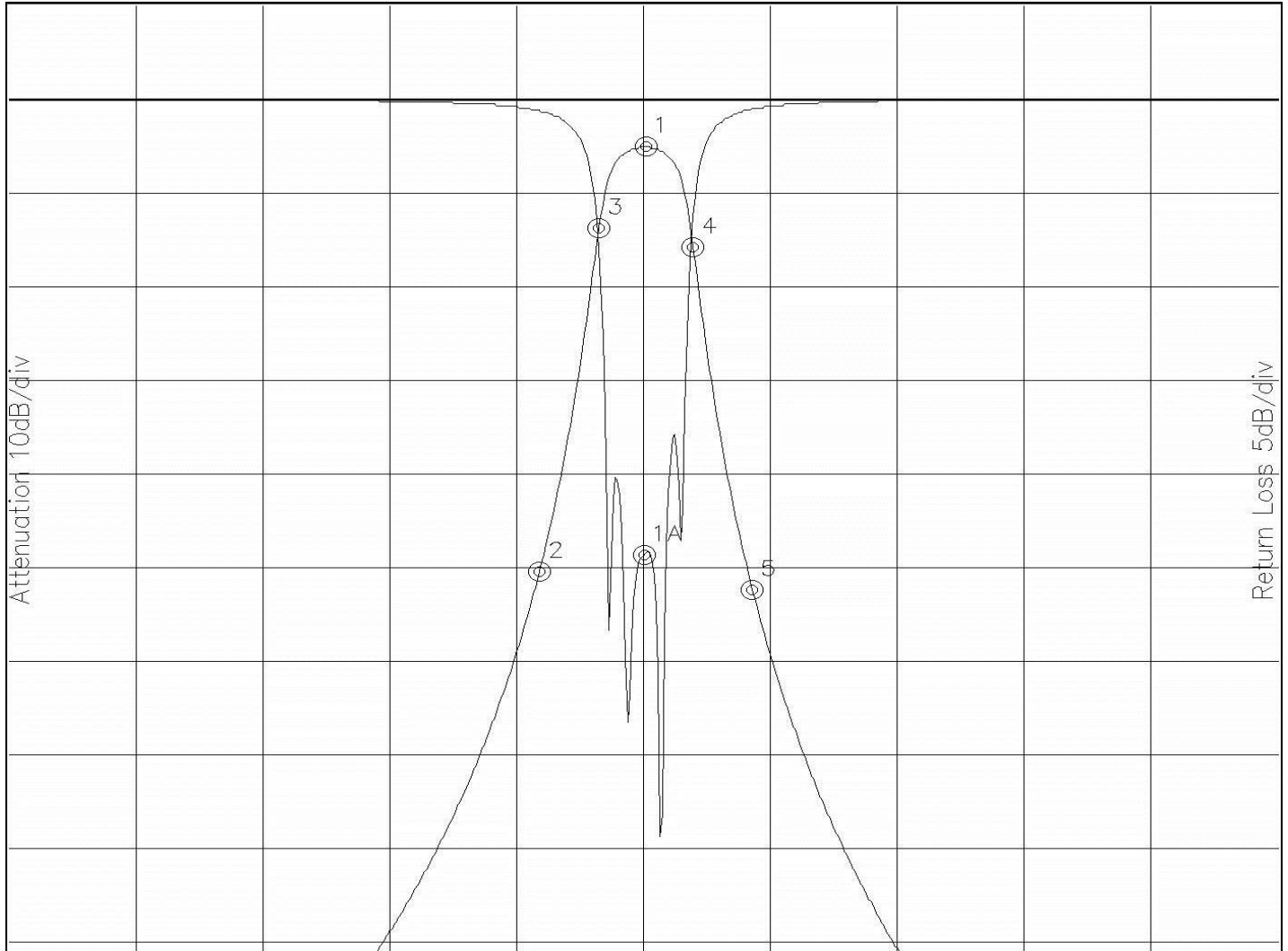


180 MHz LC Band Pass Filter

Part Number: AE180B11181



Response Plot:



Attenuation Start: 120.0MHz Stop: 240.0MHz

Return Loss Start: 120.0MHz Stop: 240.0MHz

- Marker 1 Freq 180.09MHz Atten -5.052dB
- Marker 2 Freq 170.01MHz Atten -50.163dB
- Marker 3 Freq 175.63MHz Atten -13.758dB
- Marker 4 Freq 184.55MHz Atten -15.638dB
- Marker 5 Freq 190.17MHz Atten -52.095dB

Marker 1A Freq 179.90MHz Ret Loss -24.253dB

Note: This is a simulation plot. Actual results may differ once the product is implemented.