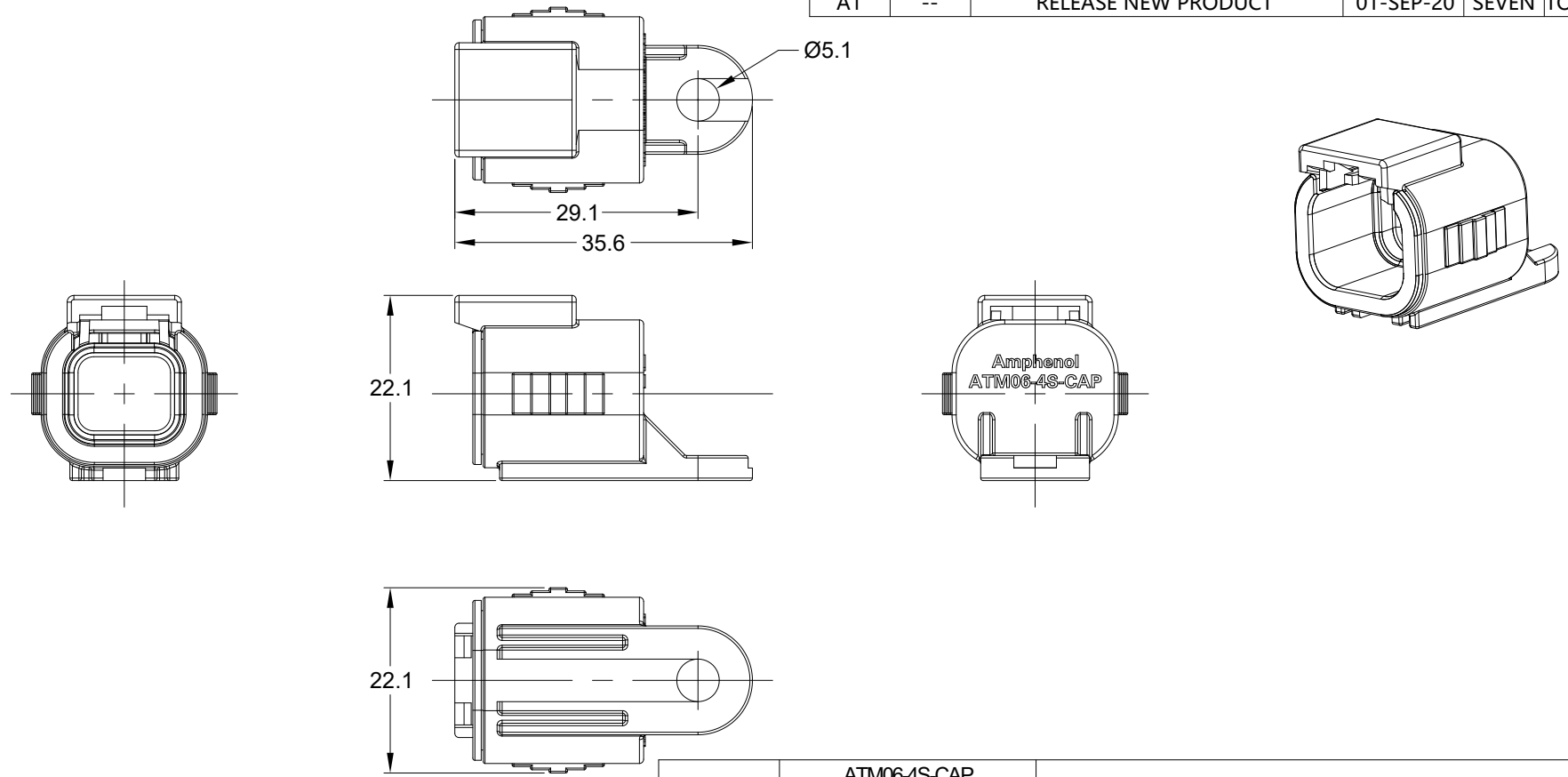


| REVISIONS |     |                     |           |       |       |
|-----------|-----|---------------------|-----------|-------|-------|
| REV       | ECO | DESCRIPTION         | DATE      | BY    | APPR  |
| A1        | --  | RELEASE NEW PRODUCT | 01-SEP-20 | SEVEN | TOMMY |



NOTES: UNLESS OTHERWISE SPECIFIED

1. MATERIAL: THERMOPLASTIC, COLOR:GREY
2. RoHS COMPLIANT
3. MOISTURE RESISTANCE: IP68 ( 1M OF WATER FOR A PERIOD OF 24 HOURS , MATED CONDITION )
4. TEMPERATURE RANGE: -55°C~125°C
5. USE WITH CONNECTORS ATM06-4S\* ( \* = MODIFICATIONS AND/OR COLORS )
6. ALL DIMENSIONS ARE FOR REFERENCE USE ONLY.

| ATM06-4S-CAP   |                       | DESCRIPTION  |             | ITEM  |
|--|-----------------------|--|-------------|---|
| PART NUMBER  |                       | DESCRIPTION  |             | ITEM  |
| QUANTITY   | <b>MATERIALS LIST</b> |  |             |   |
| <b>UNLESS OTHERWISE SPECIFIED</b><br>1) All dimensions are in metric(mm).<br>2) Tolerances are as follows:<br>1 PL DEC ±0.30      Fractions ±1/64<br>2 PL DEC ±0.15      Angles ±1°<br>3 PL DEC ±0.08<br>3) Note reference = |                       | <b>SIGNATURES</b>  | <b>DATE</b> | <h1 style="text-align: center;">Amphenol</h1> <p style="text-align: center;">Sine Systems - www.amphenol-sine.com<br/>44724 Morley Drive<br/>Clinton Township, MI 48036</p> <p style="text-align: center;"><b>4 POS,DUST CAP FOR PLUG,<br/>ATM SERIES</b></p> |
| MATERIAL SPECIFICATIONS:   |                       | DRAWN: SEVEN.MAO   | 01SEP20     |   |
| PROCESS SPECIFICATIONS:  |                       | CHECKED: ORION.LI  | 02SEP20     |   |
| NEXT ASSY:   |                       | ENGINEER:  |             |   |
|  |                       | APPROVAL: TOMMY.XIE  | 02SEP20     |   |
|  |                       | CUSTOMER:  |             |   |
|  |                       | THIS DRAWING IS SUPPLIED FOR INFORMATION ONLY. DESIGN FEATURES, SPECIFICATIONS AND PERFORMANCE DATA SHOWN HEREON ARE THE PROPERTY OF THE AMPHENOL CORPORATION. NO RIGHTS OF REPRODUCTION ARE IMPLIED. ALL DIMENSIONS ARE SUBJECT TO NORMAL MANUFACTURING VARIATIONS. |             |   |
|  |                       | SIZE: A  | TYPE: C-    | DWG NO: ATM06-4S-CAP  |
|  |                       | SCALE: NONE  |             | REVISION: A1  |
|  |                       |  |             | SHEET 1 OF 1  |