

## Omnidirectional Microphone with Bottom Port and Analog Output

### GENERAL DESCRIPTION

The INMP411\* is a high performance, high SPL, low noise, low power, analog output bottom ported, omnidirectional MEMS microphone. The INMP411 consists of a MEMS microphone element and an impedance converter amplifier. The INMP411 sensitivity specification makes it an excellent choice for near-field applications. The INMP411 is pin compatible with the INMP401 microphone, providing an easy upgrade path.

The INMP411 has a linear response up to 131 dB SPL. It offers high SNR and extended wideband frequency response resulting in natural sound with high intelligibility. Low current consumption enables long battery life for portable applications.

The INMP411 is available in a 4.72 × 3.76 × 1.0 mm surface-mount package. It is reflow solder compatible with no sensitivity degradation.

*\*Protected by U.S. Patents 7,449,356; 7,825,484; 7,885,423; and 7,961,897. Other patents are pending.*

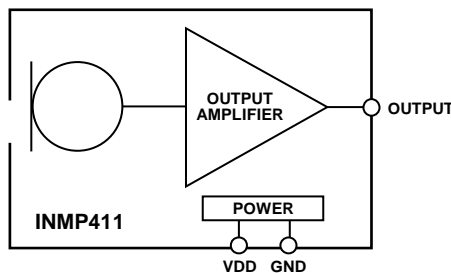
### APPLICATIONS

- Fire and Safety Radios
- Safety Masks
- Tablet Computers
- Teleconferencing Systems
- Studio Microphones
- Security and Surveillance

### FEATURES

- 4.72 × 3.76 × 1.0 mm Surface-Mount Package
- High 131 dB SPL Acoustic Overload Point
- Sensitivity of -46 dBV
- ±2 dB Sensitivity Tolerance
- Omnidirectional Response
- High SNR of 62 dBA
- Extended Frequency Response from 28 Hz to 20 kHz
- Low Current Consumption: <250 μA
- Single-Ended Analog Output
- High PSR of -80 dBV
- Compatible with Sn/Pb and Pb-Free Solder Processes
- RoHS/WEEE Compliant

### FUNCTIONAL BLOCK DIAGRAM

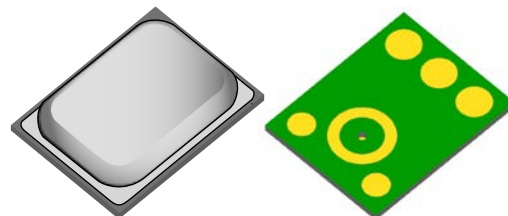


### ORDERING INFORMATION

PART	TEMP RANGE
INMP411ACEZ-R0*	-40°C to +85°C
INMP411ACEZ-R7†	-40°C to +85°C
EV_INMP411-FX	—

\* - 13" Tape and Reel

† - 7" Tape and reel to be discontinued. Check with [sales@invensense.com](mailto:sales@invensense.com) for availability.



**TABLE OF CONTENTS**

General Description ..... 1

Applications ..... 1

Features ..... 1

Functional Block Diagram ..... 1

Ordering Information..... 1

Table of Contents..... 2

Specifications ..... 3

    Table 1. Electrical Characteristics ..... 3

Absolute Maximum Ratings ..... 4

    Table 2. Absolute Maximum Ratings ..... 4

    ESD Caution ..... 4

    Soldering Profile..... 5

    Table 3. Recommended Soldering Profile..... 5

Pin Configurations And Function Descriptions ..... 6

    Table 4. Pin Function Descriptions..... 6

Typical Performance Characteristics..... 7

Applications Information ..... 8

    Connecting To Audio Codecs ..... 8

    Dynamic Range Considerations ..... 8

Supporting Documents ..... 9

    Evaluation Board User Guide..... 9

    Application Note (product specific) ..... 9

    Application Notes (general) ..... 9

PCB Design And Land Pattern Layout ..... 10

Handling Instructions..... 11

    Pick And Place Equipment ..... 11

    Reflow Solder..... 11

    Board Wash..... 11

Outline Dimensions..... 12

    Ordering Guide ..... 13

    Revision History ..... 13

    Compliance Declaration Disclaimer ..... 14

**SPECIFICATIONS**

**TABLE 1. ELECTRICAL CHARACTERISTICS**

(T<sub>A</sub> = -40 to 85°C, V<sub>DD</sub> = 1.5 to 3.63 V, unless otherwise noted. All minimum and maximum specifications are guaranteed across temperature and voltage, and are specified in Table 1, unless otherwise noted. Typical specifications are not guaranteed.)

PARAMETER	CONDITIONS	MIN	TYP	MAX	UNITS	NOTES
<b>PERFORMANCE</b>						
Directionality			Omni			
Sensitivity	1 kHz, 94 dB SPL	-48	-46	-44	dBV	
Signal-to-Noise Ratio (SNR)			62		dBA	
Equivalent Input Noise (EIN)			32		dBA SPL	
Dynamic Range	Derived from EIN and maximum acoustic input		99		dB	
Frequency Response	Low frequency -3 dB point		28		Hz	1
	High frequency -3 dB point		>20		kHz	
Total Harmonic Distortion (THD)	105 dB SPL		0.2	1	%	
Power-Supply Rejection (PSR)	217 Hz, 100 mVp-p square wave superimposed on VDD = 1.8 V		-80		dBV	
Acoustic Overload Point	10% THD		131		dB SPL	
<b>POWER SUPPLY</b>						
Supply Voltage (V <sub>DD</sub> )		1.5		3.63	V	
Supply Current (I <sub>S</sub> )						
	V <sub>DD</sub> = 1.8 V		180	220	μA	
	V <sub>DD</sub> = 3.3 V		210	250	μA	
<b>OUTPUT CHARACTERISTICS</b>						
Output Impedance (Z <sub>OUT</sub> )			200		Ω	
Output DC Offset			0.8		V	
Maximum Output Voltage	131 dB SPL input		0.355		V RMS	
Noise Floor	20 Hz to 20 kHz, A-weighted, rms		-108		dBV	

**Note 1:** See Figure 3 and Figure 4.

**ABSOLUTE MAXIMUM RATINGS**

Stress above those listed as Absolute Maximum Ratings may cause permanent damage to the device. These are stress ratings only and functional operation of the device at these conditions is not implied. Exposure to the absolute maximum ratings conditions for extended periods may affect device reliability.

**TABLE 2. ABSOLUTE MAXIMUM RATINGS**

PARAMETER	RATING
Supply Voltage (VDD)	-0.3 V to +3.63 V
Sound Pressure Level (SPL)	160 dB
Mechanical Shock	10,000 <i>g</i>
Vibration	Per MIL-STD-883 Method 2007, Test Condition B
Storage Temperature Range	-40°C to +150°C
Operating Temperature Range	-40°C to +85°C

**ESD CAUTION**



ESD (electrostatic discharge) sensitive device. Charged devices and circuit boards can discharge without detection. Although this product features patented or proprietary protection circuitry, damage may occur on devices subjected to high energy ESD. Therefore proper ESD precautions should be taken to avoid performance degradation or loss of functionality.

SOLDERING PROFILE

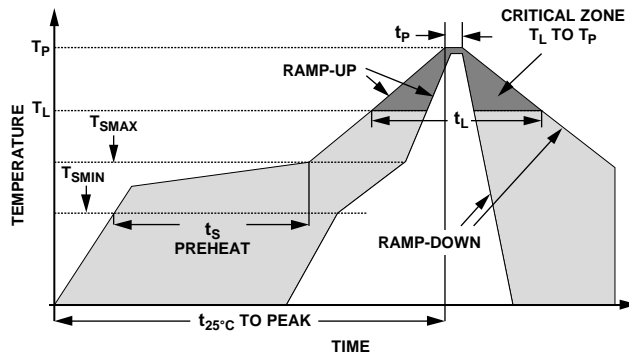


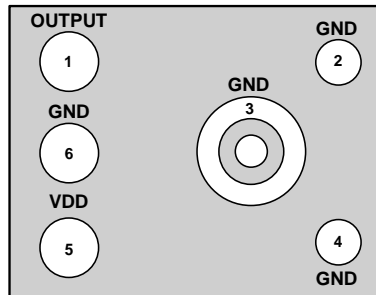
Figure 1. Recommended Soldering Profile Limits

TABLE 3. RECOMMENDED SOLDERING PROFILE

PROFILE FEATURE		Sn63/Pb37	Pb-Free
Average Ramp Rate ( $T_L$ to $T_P$ )		1.25°C/sec max	1.25°C/sec max
Preheat	Minimum Temperature ( $T_{SMIN}$ )	100°C	100°C
	Minimum Temperature ( $T_{SMIN}$ )	150°C	200°C
	Time ( $T_{SMIN}$ to $T_{SMAX}$ ), $t_S$	60 sec to 75 sec	60 sec to 75 sec
Ramp-Up Rate ( $T_{SMAX}$ to $T_L$ )		1.25°C/sec	1.25°C/sec
Time Maintained Above Liquidous ( $t_L$ )		45 sec to 75 sec	~50 sec
Liquidous Temperature ( $T_L$ )		183°C	217°C
Peak Temperature ( $T_P$ )		215°C +3°C/-3°C	245°C +0°C/-5°C
Time Within +5°C of Actual Peak Temperature ( $t_p$ )		20 sec to 30 sec	20 sec to 30 sec
Ramp-Down Rate		3°C/sec max	3°C/sec max
Time +25°C ( $t_{25^\circ\text{C}}$ ) to Peak Temperature		5 min max	5 min max

\*The reflow profile in Table 3 is recommended for board manufacturing with InvenSense MEMS microphones. All microphones are also compatible with the J-STD-020 profile.

**PIN CONFIGURATIONS AND FUNCTION DESCRIPTIONS**



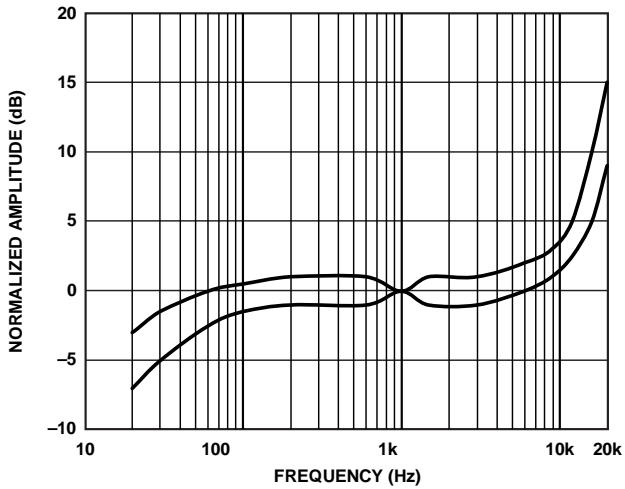
**BOTTOM VIEW**  
Not to Scale

**Figure 2. Pin Configuration**

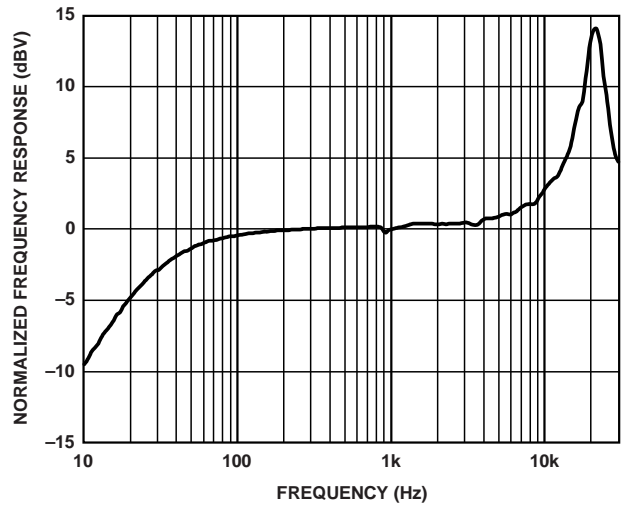
**TABLE 4. PIN FUNCTION DESCRIPTIONS**

PIN	NAME	FUNCTION
1	OUTPUT	Analog Output Signal
2	GND	Ground
3	GND	Ground
4	GND	Ground
5	VDD	Power Supply
6	GND	Ground

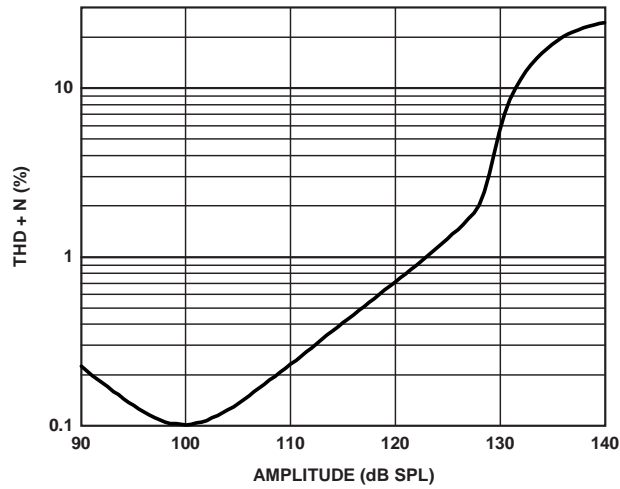
**TYPICAL PERFORMANCE CHARACTERISTICS**



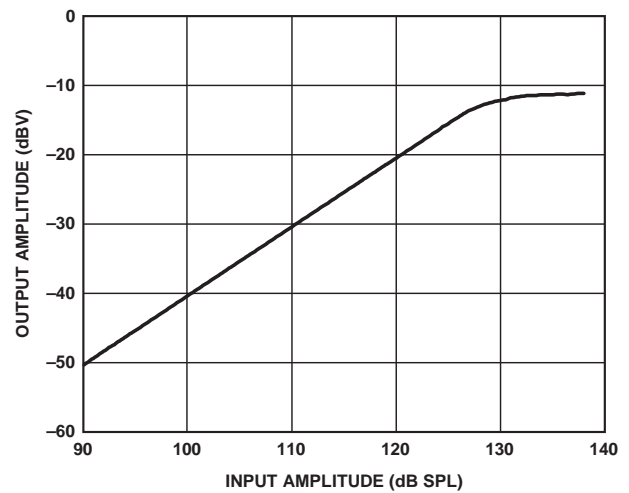
**Figure 3. Frequency Response Mask**



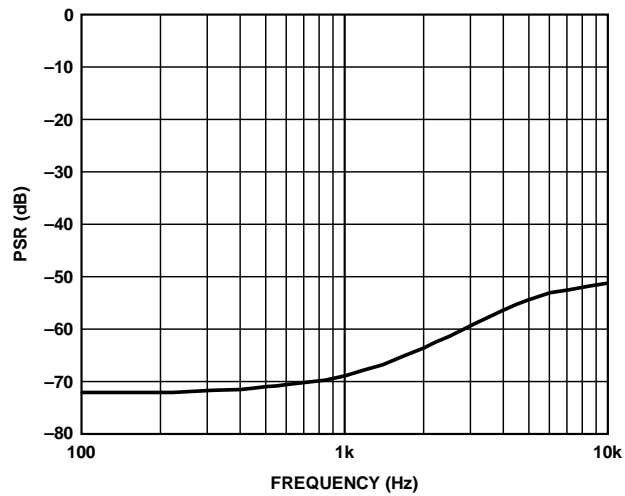
**Figure 4. Typical Frequency Response (Measured)**



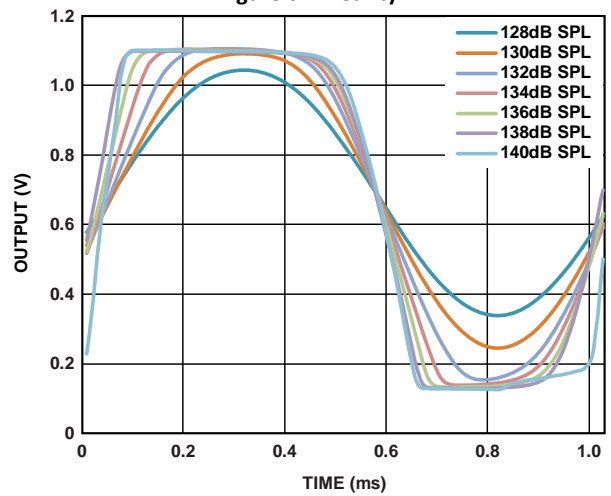
**Figure 5. THD+N vs. Input Level**



**Figure 6. Linearity**



**Figure 7. Typical Power Supply Rejection Ratio vs. Frequency**



**Figure 8. Clipping Characteristics**

**APPLICATIONS INFORMATION**

**CONNECTING TO AUDIO CODECS**

The INMP411 output can be connected to a dedicated codec microphone input (see Figure 6) or to a high input impedance gain stage (see Figure 7.) A 0.1 μF ceramic capacitor placed close to the INMP411 supply pin is used for testing and is recommended to adequately decouple the microphone from noise on the power supply. A DC-blocking capacitor is required at the output of the microphone. This capacitor creates a high-pass filter with a corner frequency at

$$f_c = 1/(2\pi \times C \times R)$$

where *R* is the input impedance of the codec.

A minimum value of 4.7 μF is recommended in Figure 6 because the input impedance of codecs can be as low as 2 kΩ at its highest PGA gain setting, which results in a high-pass filter corner frequency at 17 Hz. Figure 7 shows the INMP411 connected to an op amp configured as a non-inverting preamplifier.

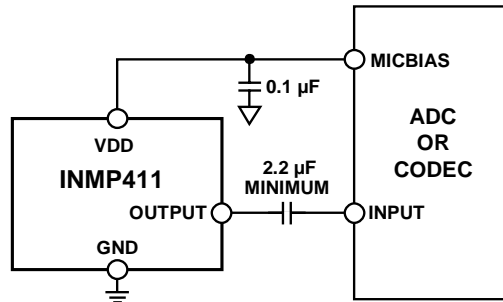


Figure 9. INMP411 Connected to a Codec

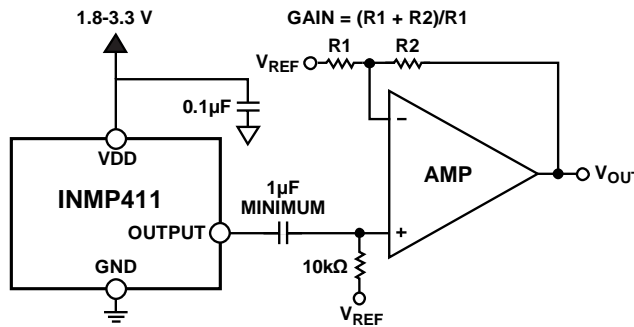


Figure 10. INMP411 Connected to an Op Amp

**DYNAMIC RANGE CONSIDERATIONS**

To fully utilize the 99 dB dynamic range of the INMP411 in a design, the preamp, ADC, or codec circuit following it must be chosen carefully. A typical codec may have a 98 dB dynamic range with *V<sub>DD</sub>* = 3.3 V. To match the dynamic ranges between the microphone and the ADC input of the codec, some gain must be added to the INMP411 output. For example, at the 131 dB SPL maximum acoustic input, the INMP411 outputs a -13 dBV RMS signal. The full-scale input voltage of a codec may be 0 dBV; therefore, 13 dB of gain must be added to the signal to match the dynamic range of the microphone with the dynamic range of the codec.



## **SUPPORTING DOCUMENTS**

For additional information, see the following documents.

### **EVALUATION BOARD USER GUIDE**

[UG-445](#) Analog Output MEMS Microphone Flex Evaluation Board

### **APPLICATION NOTE (PRODUCT SPECIFIC)**

[AN-0284](#) High Performance, Low-Noise Studio Microphone with MEMS Microphones, Analog Beamforming, and Power Management

[AN-0207](#) High-Performance Analog MEMS Microphone Simple Interface-to-SigmaDSP Audio Codec

[AN-0262](#) Low-Noise Analog MEMS Microphone and Preamp with Compression and Noise Gating

### **APPLICATION NOTES (GENERAL)**

[AN-1003](#) Recommendations for Mounting and Connecting the InvenSense Bottom-Ported MEMS Microphones

[AN-1068](#) Reflow Soldering of the MEMS Microphone

[AN-1112](#) Microphone Specifications Explained

[AN-1124](#) Recommendations for Sealing InvenSense, Bottom-Port MEMS Microphones from Dust and Liquid Ingress

[AN-1140](#) Microphone Array Beamforming

[AN-1165](#) Op Amps for MEMS Microphone Preamp Circuits

[AN-1181](#) Using a MEMS Microphone in a 2-Wire Microphone Circuit

**PCB DESIGN AND LAND PATTERN LAYOUT**

The recommended PCB land pattern for the INMP411 should be laid out to a 1:1 ratio to the solder pads on the microphone package, as shown in Figure 8. Take care to avoid applying solder paste to the sound hole in the PCB. A suggested solder paste stencil pattern layout is shown in Figure 9. The diameter of the sound hole in the PCB should be larger than the diameter of the sound port of the microphone. A minimum diameter of 0.5 mm is recommended.

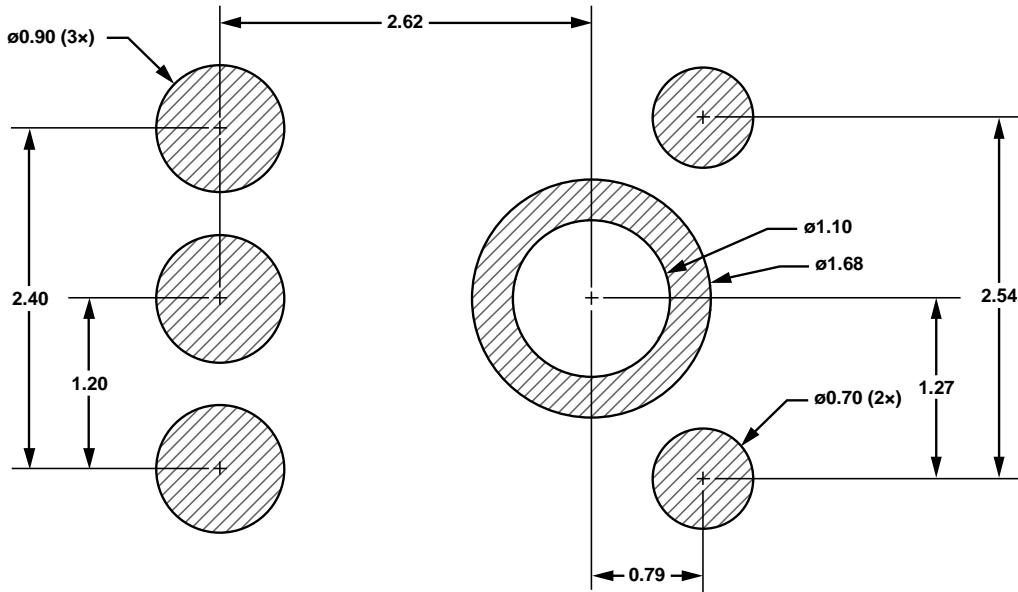


Figure 11. PCB Land Pattern Layout

Dimensions shown in millimeters

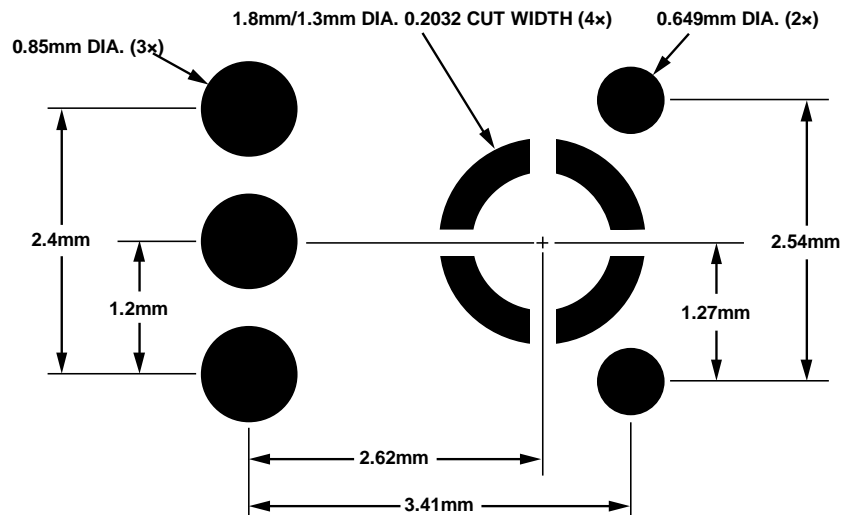


Figure 12. Suggested Solder Paste Stencil Pattern Layout

Dimensions shown in millimeters

## **HANDLING INSTRUCTIONS**

### **PICK AND PLACE EQUIPMENT**

The MEMS microphone can be handled using standard pick-and-place and chip shooting equipment. Take care to avoid damage to the MEMS microphone structure as follows:

- Use a standard pickup tool to handle the microphone. Because the microphone hole is on the bottom of the package, the pickup tool can make contact with any part of the lid surface.
- Do not pick up the microphone with a vacuum tool that makes contact with the bottom side of the microphone. Do not pull air out of or blow air into the microphone port.
- Do not use excessive force to place the microphone on the PCB.

### **REFLOW SOLDER**

For best results, the soldering profile must be in accordance with the recommendations of the manufacturer of the solder paste used to attach the MEMS microphone to the PCB. It is recommended that the solder reflow profile not exceed the limit conditions specified in Figure 1 and Table 3.

### **BOARD WASH**

When washing the PCB, ensure that water does not make contact with the microphone port. Do not use blow-off procedures or ultrasonic cleaning.

OUTLINE DIMENSIONS

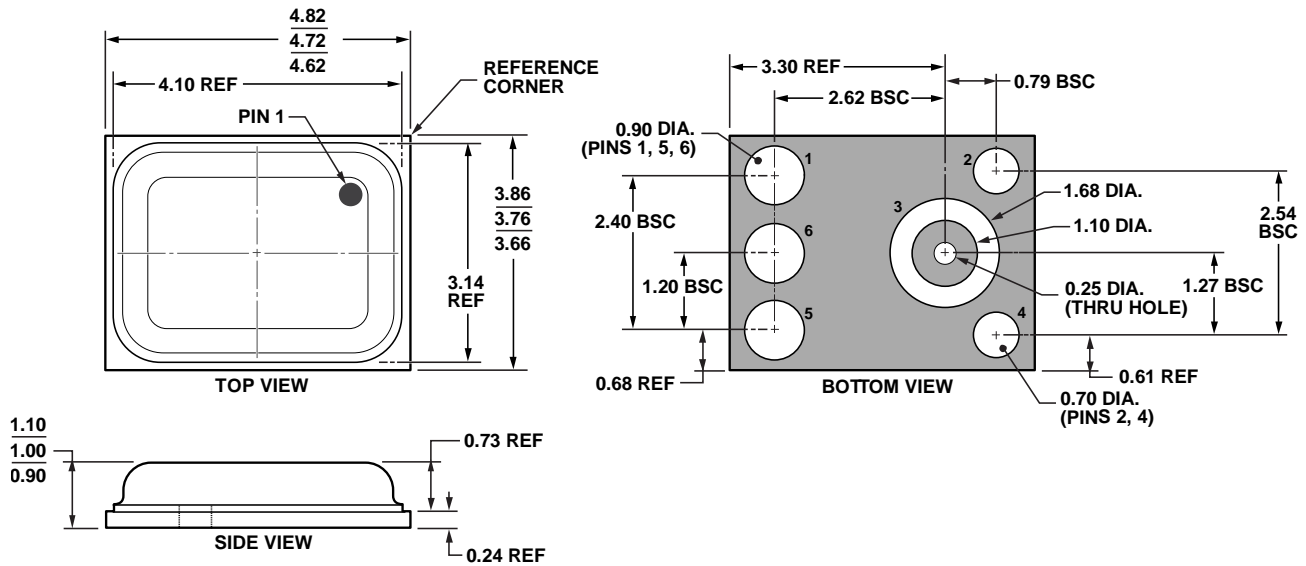


Figure 13. 3-Terminal Chip Array Small Outline No-Lead Cavity [LGA\_CAV]  
 4.72 × 3.76 × 1.00 mm Body  
 Dimensions shown in millimeters

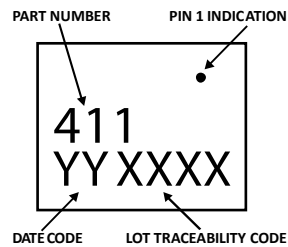


Figure 14. Package Marking Specification (Top View)

12-12-2011-C

## ORDERING GUIDE

PART	TEMP RANGE	PACKAGE	QUANTITY
INMP411ACEZ-R0 <sup>1*</sup>	-40°C to +85°C	6-Terminal LGA_CAV	4,500
INMP411ACEZ-R7 <sup>1†</sup>	-40°C to +85°C	6-Terminal LGA_CAV	1,000
EV_INMP411-FX	—	Flex Evaluation Board	—

\* – 13” Tape and Reel

† – 7” Tape and Reel to be discontinued. Contact [sales@invensense.com](mailto:sales@invensense.com) for availability.

<sup>1</sup>Z = RoHS-Compliant Part

## REVISION HISTORY

REVISION DATE	REVISION	DESCRIPTION
02/06/2014	1.0	Initial Release
05/21/2014	1.1	Updated Compliance Disclaimer

**COMPLIANCE DECLARATION DISCLAIMER**

InvenSense believes the environmental and other compliance information given in this document to be correct but cannot guarantee accuracy or completeness. Conformity documents substantiating the specifications and component characteristics are on file. InvenSense subcontracts manufacturing and the information contained herein is based on data received from vendors and suppliers, which has not been validated by InvenSense.

This information furnished by InvenSense, Inc. is believed to be accurate and reliable. However, no responsibility is assumed by InvenSense for its use, or for any infringements of patents or other rights of third parties that may result from its use. Specifications are subject to change without notice. InvenSense reserves the right to make changes to this product, including its circuits and software, in order to improve its design and/or performance, without prior notice. InvenSense makes no warranties, neither expressed nor implied, regarding the information and specifications contained in this document. InvenSense assumes no responsibility for any claims or damages arising from information contained in this document, or from the use of products and services detailed therein. This includes, but is not limited to, claims or damages based on the infringement of patents, copyrights, mask work and/or other intellectual property rights.

Certain intellectual property owned by InvenSense and described in this document is patent protected. No license is granted by implication or otherwise under any patent or patent rights of InvenSense. This publication supersedes and replaces all information previously supplied. Trademarks that are registered trademarks are the property of their respective companies. InvenSense sensors should not be used or sold in the development, storage, production or utilization of any conventional or mass-destructive weapons or for any other weapons or life threatening applications, as well as in any other life critical applications such as medical equipment, transportation, aerospace and nuclear instruments, undersea equipment, power plant equipment, disaster prevention and crime prevention equipment.

©2014 InvenSense, Inc. All rights reserved. InvenSense, MotionTracking, MotionProcessing, MotionProcessor, MotionFusion, MotionApps, DMP, AAR, and the InvenSense logo are trademarks of InvenSense, Inc. Other company and product names may be trademarks of the respective companies with which they are associated.



©2014 InvenSense, Inc. All rights reserved.