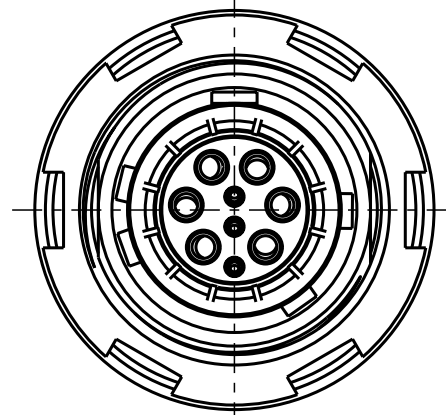


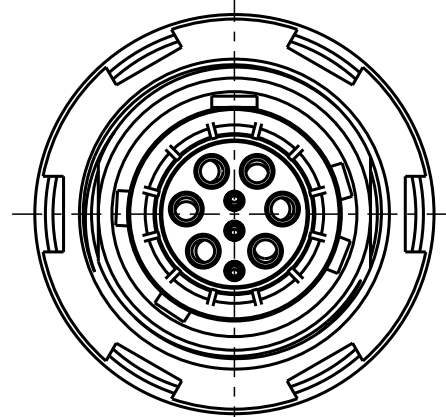
For these Unterlage behalten wir uns alle Rechte vor, auch für den Fall der Patentverletzung oder Gebrauchsmusterinfraktion. Sie darf ohne unsere vorherige schriftliche Zustimmung weder vervielfältigt noch sonstwie benutzt, nach Dritten zugänglich gemacht werden.
 Nur rot gestempelte oder auf Laufkarte gedruckte Dokumente unterliegen dem Änderungsdienst und sind zur Fertigung freigegeben. Only red stamped or on jobcard printed documents are managed. These documents are approved for production.
 All Rights reserved, including possible patents or trademarks. Documents shall not be provided to a third party or duplicated in any form without prior written permission.

CAD: Pro/ENGINEER

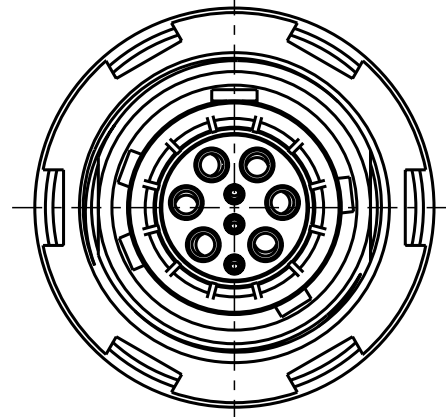
Additional coding
View in direction A
4:1



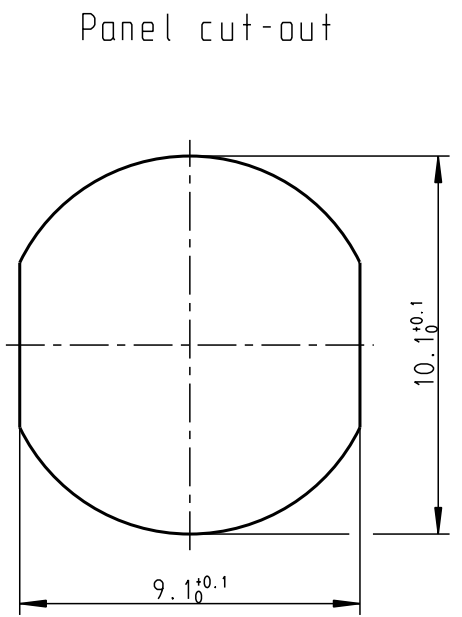
GKOWBM-P09UM00-000L
Mechanical coding: B
Color coding: red



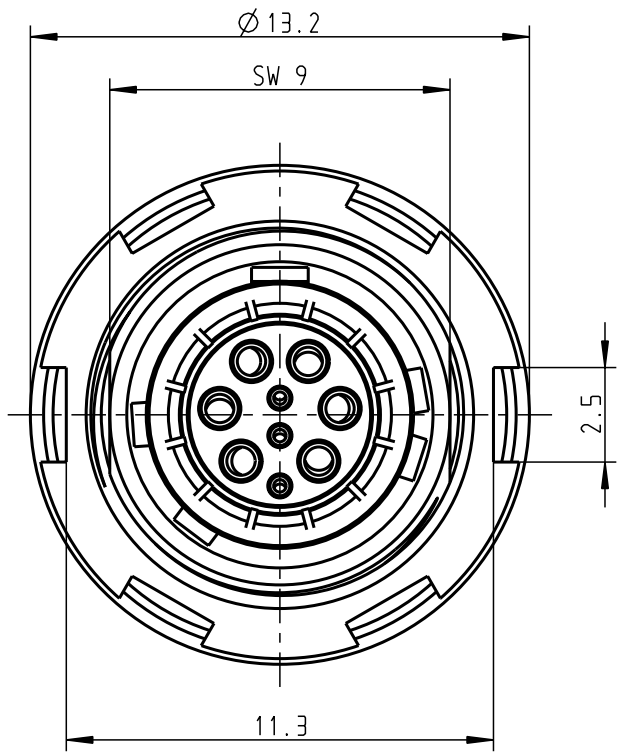
GKOWCM-P09UM00-000L
Mechanical coding: C
Color coding: blue



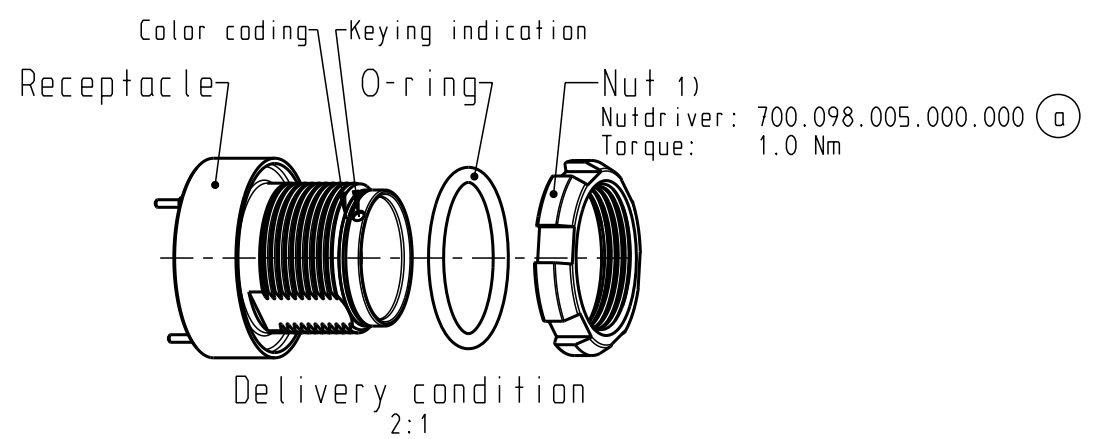
GKOWDM-P09UM00-000L
Mechanical coding: D
Color coding: green



Panel cut-out



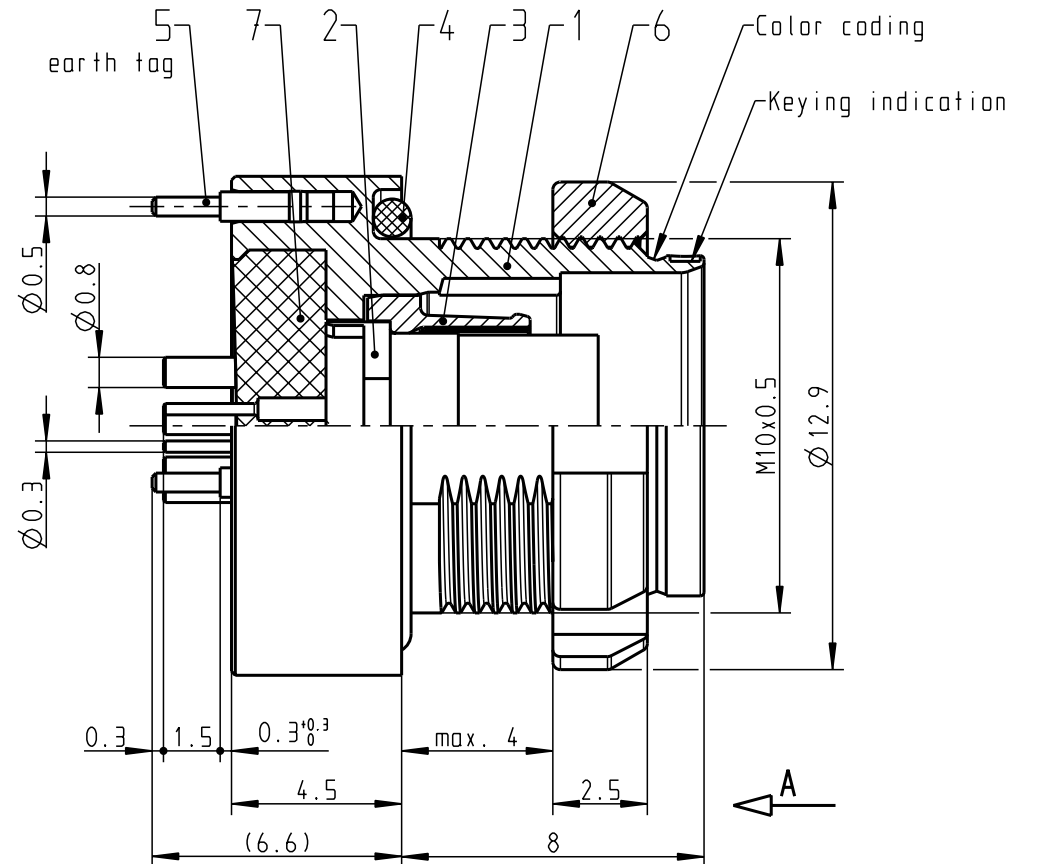
GKOWAM-P09UM00-000L
Mechanical coding: A
Color coding: light brown



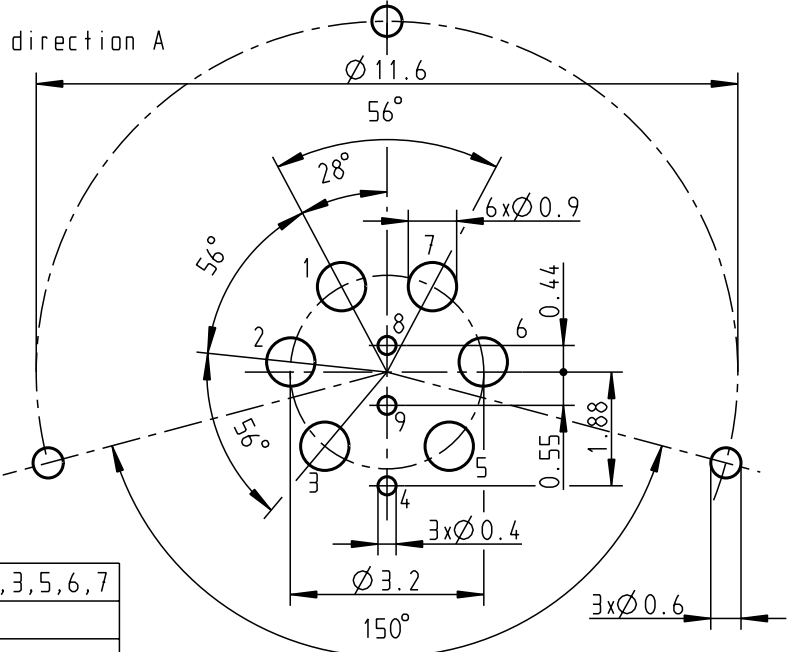
Technical information

- Print contacts 3)
- Power print contacts: (pos.1/2/3/5/6/7)
Current load: 5A (Single contact)
- Signal print contacts: (pos.4/8/9)
Current load: 1A (Single contact)
- Test voltage: 750V (acc. SAE AS 13441:1998, Contact to contact)
- Rated voltage: 250V (acc. SAE AS 13441:1998) 2)

- 1) ODU recommend an additional locking of the nut with adhesive (e.g. Loctite 2701) to the screw thread.
- 2) Maximal operating voltage at sea level up to 2.000m. Rated voltage applies no other electrical safety standard. In case other standards rule a specific use of the connector, the application specific safety criteria shall be considered first. This must be evaluated in the frame of equipment engineering.
- 3) The recommended thickness of the PCB is about 1.2 mm. Other versions are available on request.



PCB-Layout
View in mating direction A
8:1



Power	1,2,3,5,6,7
USB (D+ D-)	8,9
Discrete	4

Allgemeintoleranzen nach DIN ISO 2768-mH		PE-modell-nr.:	
Tolerierung nach DIN ISO 8015		CAD-nr.:	sheet.:
		00059473	
2015	date	name	designation:
prep.	18.02.	Unterblüm.	Receptacle
app.			5:1
norm.			copy
drawing nr.:		GKOW.M-P09UM00-000L	
replacement for:		nr.	

All shown connectors are according to DIN EN 61984:2009 connectors without breaking capacity (COC)!

