

THIS DRAWING IS UNPUBLISHED.

RELEASED FOR PUBLICATION

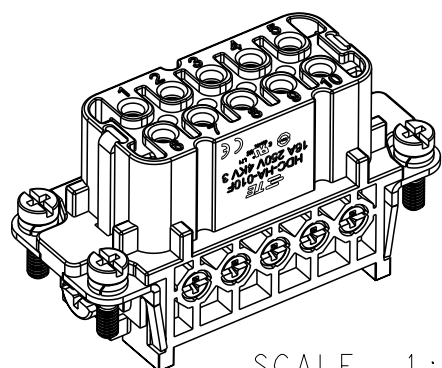
20

© COPYRIGHT 20 BY -

ALL RIGHTS RESERVED.

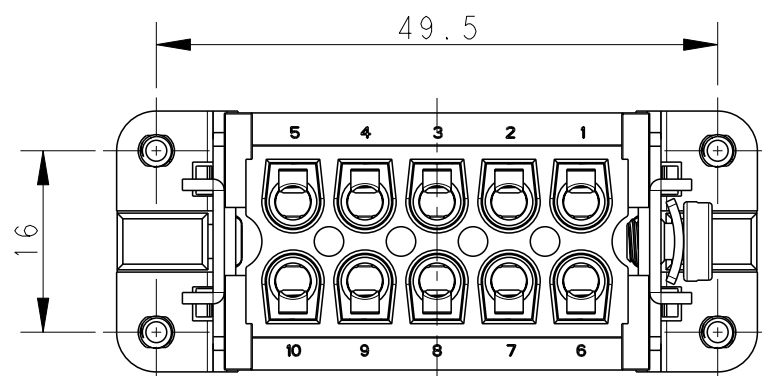
REVISIONS

P	LTR	DESCRIPTION	DATE	DWN	APVD
B		ECR-15-013750	18SEP2015	DW	CW
B1		ECR-15-016224	05NOV2015	DW	CW
B2		ECR-16-017507	13DEC2016	QY	CW
C		ECR-20-016101	09JUN2021	BS	CW



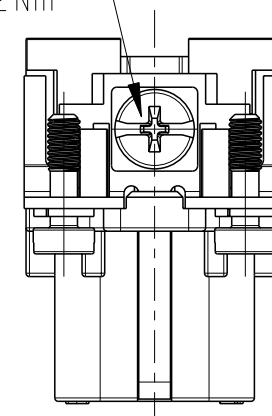
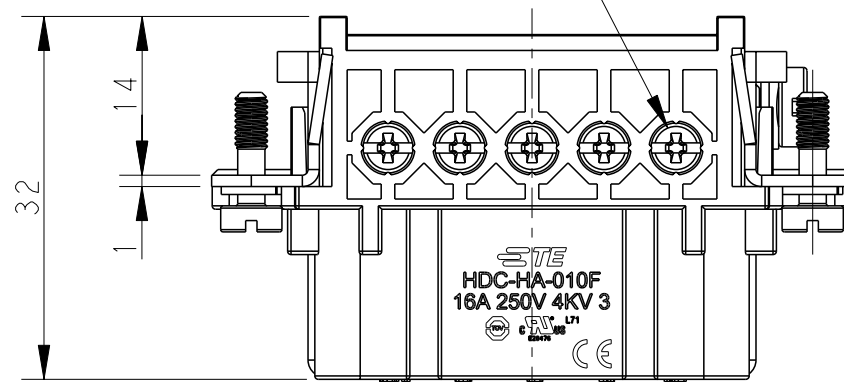
SCALE 1:1

TYPE-1, T2010102201-000, TE LOGO
类型-1, T2010102201-000, TE LOGO



10X M3 SCREW, RECOMMENDED
TIGHTENING TORQUE 0.5Nm
10X M3 螺丝, 推荐锁紧力矩0.5Nm

M4 SCREW RECOMMENDED
TIGHTENING TORQUE 1.2Nm
M4 螺丝, 推荐锁紧力矩1.2Nm

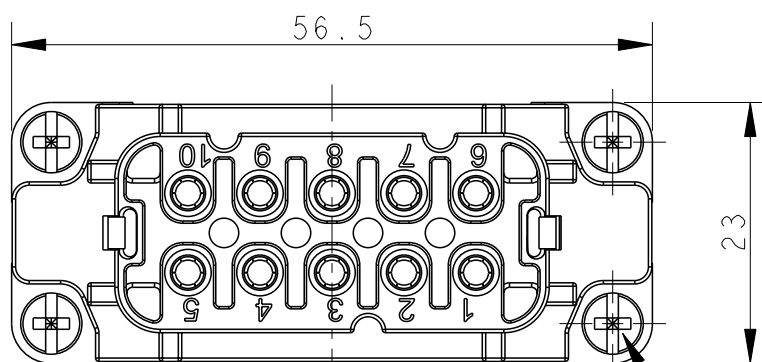


NOTES:

- 1. TECHNICAL CHARACTERISTICS:
INSULATION MATERIAL: PC
RATED VOLTAGE: 250 V
RATED CURRENT: 16 A
INSULATION RESISTANCE: $\geq 400M\Omega$
RATED IMPULSE VOLTAGE: 4 KV
POLLUTION DEGREE: 3
FLAMMABILITY: UL94V-0
MATING CYCLES: 500 CYCLES
WIRE RANGE: 0.5-2.5 mm² (20-14 AWG)
CONTACT FINISH: SILVER PLATED
CONTACT TYPE: SCREW CONTACT

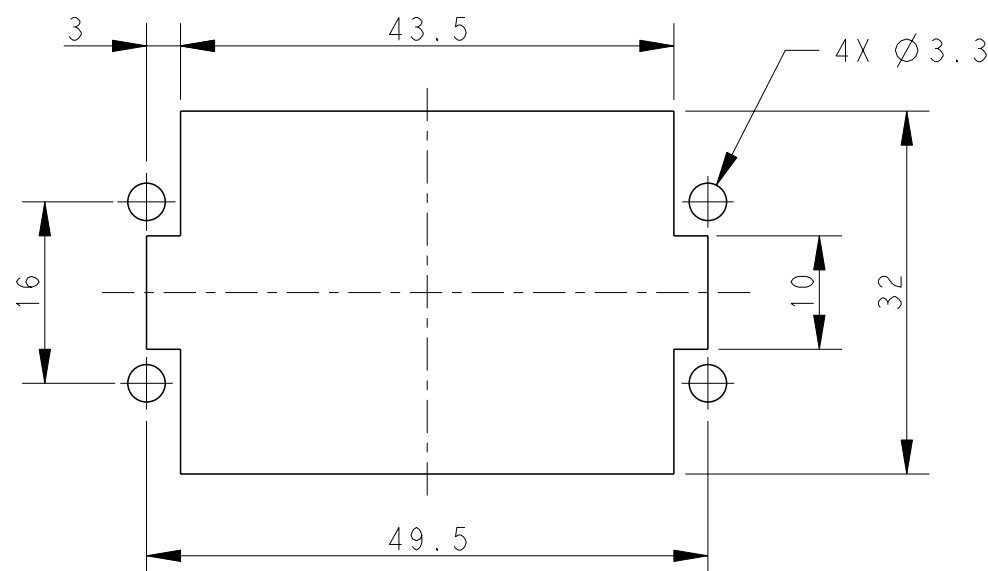
注释:

- 1. 技术参数:
绝缘材料: PC
额定电压: 250V
额定电流: 16A
绝缘电阻: $\geq 400M\Omega$
额定脉冲电压: 4 KV
污染等级: 3
阻燃等级: UL94V-0
插拔次数: 500 次
接线范围: 0.5-2.5 mm² (20-14 AWG)
端子表面处理: 镀银
接线类型: 螺丝连接



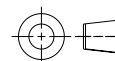
4X M3 SCREW, RECOMMENDED
TIGHTENING TORQUE 0.5Nm
4X M3 螺丝, 推荐锁紧力矩0.5Nm

PANEL CUT FOR INSERTS FOR USING
WITHOUT HOODS/ HOUSINGS
不用防护外壳时芯件的安装开孔图



THIS DRAWING IS A CONTROLLED DOCUMENT.

DIMENSIONS:
mm



TOLERANCES UNLESS
OTHERWISE SPECIFIED:

0 PLC	±
1 PLC	±
2 PLC	±
3 PLC	±
4 PLC	±
ANGLES	±
FINISH	-

MATERIAL

-

-

DWN 18DEC2014

DAVID WANG

CHK 18DEC2014

CHRIS WANG

APVD 18DEC2014

XU XIANG

PRODUCT SPEC

108-137045

APPLICATION SPEC

114-137045

WEIGHT

-

NAME

HA-010-F

SIZE

A3

CAGE CODE

-

DRAWING NO

©-T2010102201000

SCALE

3:2

SHEET

1 OF 2

REV

C



TE Connectivity

Customer Drawing

RESTRICTED TO

-

Printed on 18 Jun 2021 15:04 (China Standard Time) from TE236667

THIS DRAWING IS UNPUBLISHED.

RELEASED FOR PUBLICATION

20

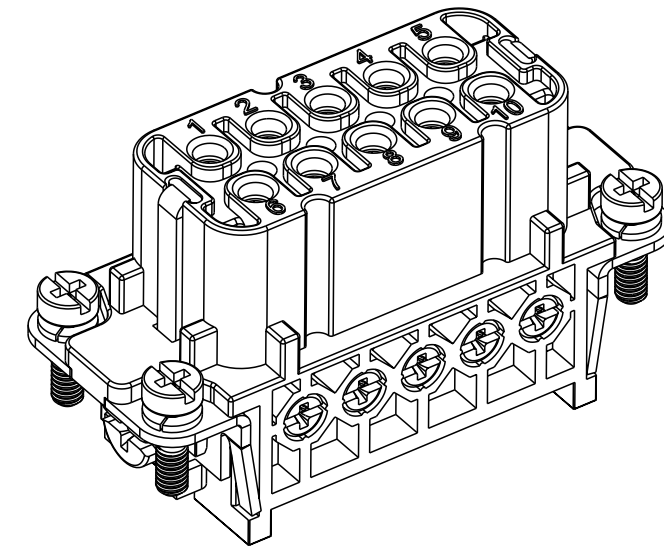
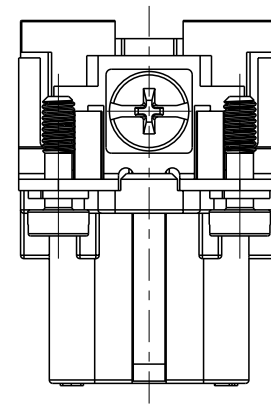
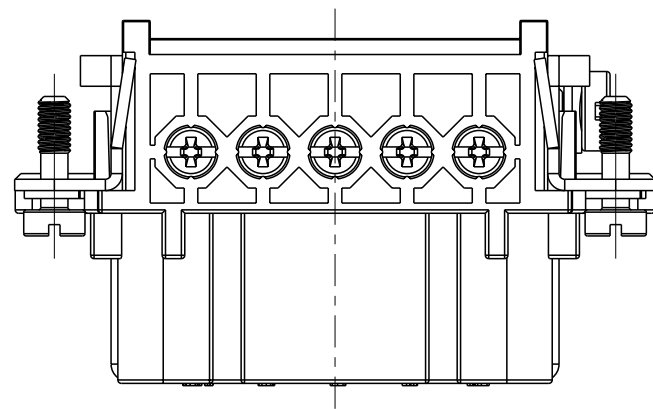
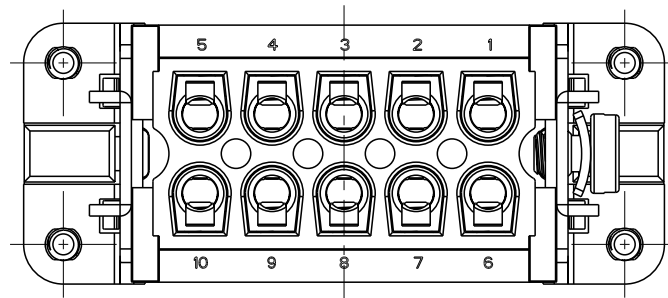
© COPYRIGHT 20 BY -

ALL RIGHTS RESERVED.

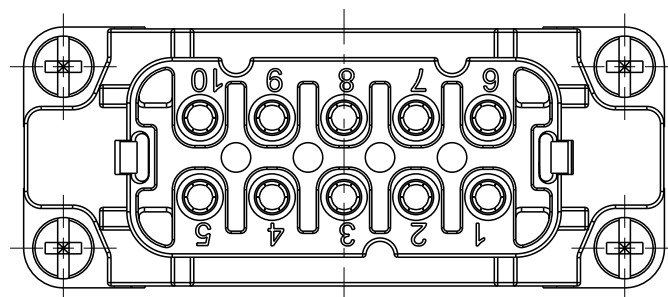
REVISIONS

P	LTR	DESCRIPTION	DATE	DWN	APVD
-		SEE SHEET 1	-	-	-

NOTE:
SEE SHEET 1
注释:
见页 1



TYPE-2, T2010102201-001, NO LOGO
类型-2, T2010102201-001, 无 LOGO



ALL DIMENSIONS ARE SAME AS TYPE 1,
EXCEPT THOSE DEFINED IN THIS TYPE.
除了在本类型中定义的尺寸外, 其它尺寸同类型 1

T2010102201-001	HA-010-F	HA-010 FEMALE INSERT, NO LOGO HA-010母插, 无LOGO	TYPE-2 类型-2
T2010102201-000	HA-010-F	HA-010 FEMALE INSERT HA-010母插	TYPE-1 类型-1
PART NUMBER 料号	PART DESCRIPTION 描述		TYPE 类型

THIS DRAWING IS A CONTROLLED DOCUMENT.		DWN 18DEC2014 DAVID WANG						
DIMENSIONS: mm		CHK 18DEC2014 CHRIS WANG			NAME HA-010-F			
TOLERANCES UNLESS OTHERWISE SPECIFIED:		APVD 18DEC2014 XU XIANG			PRODUCT SPEC 108-137045			
0 PLC ±- 1 PLC ±- 2 PLC ±- 3 PLC ±- 4 PLC ±- ANGLES ±-		APPLICATION SPEC 114-137045			RESTRICTED TO -			
MATERIAL	FINISH	WEIGHT	SIZE A3	CAGE CODE -	DRAWING NO C-T2010102201000	SCALE 3:2	SHEET 2 OF 2	REV C
-	-	-	Customer Drawing					

printed on 18 Jun 2021 15:04 (China Standard Time) from TE236667

A

D