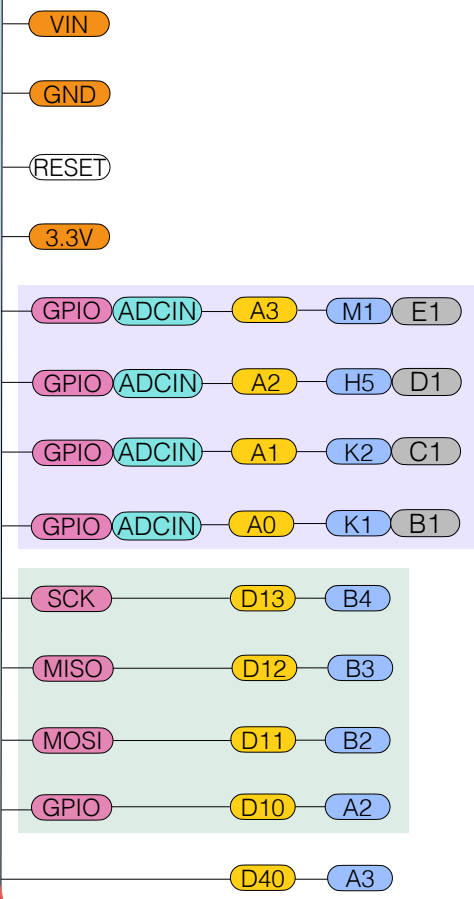
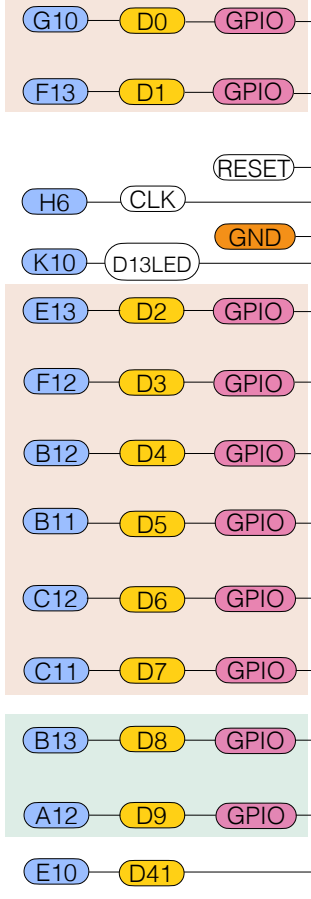
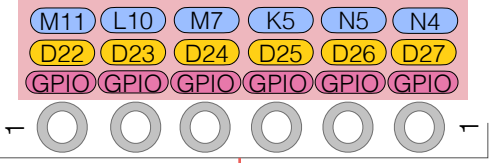
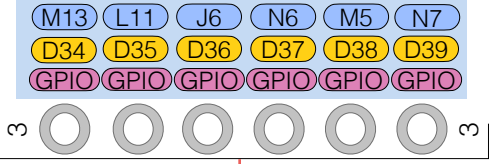
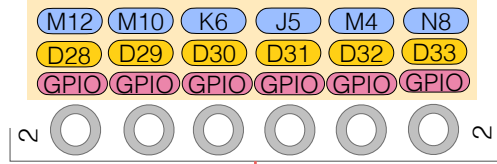
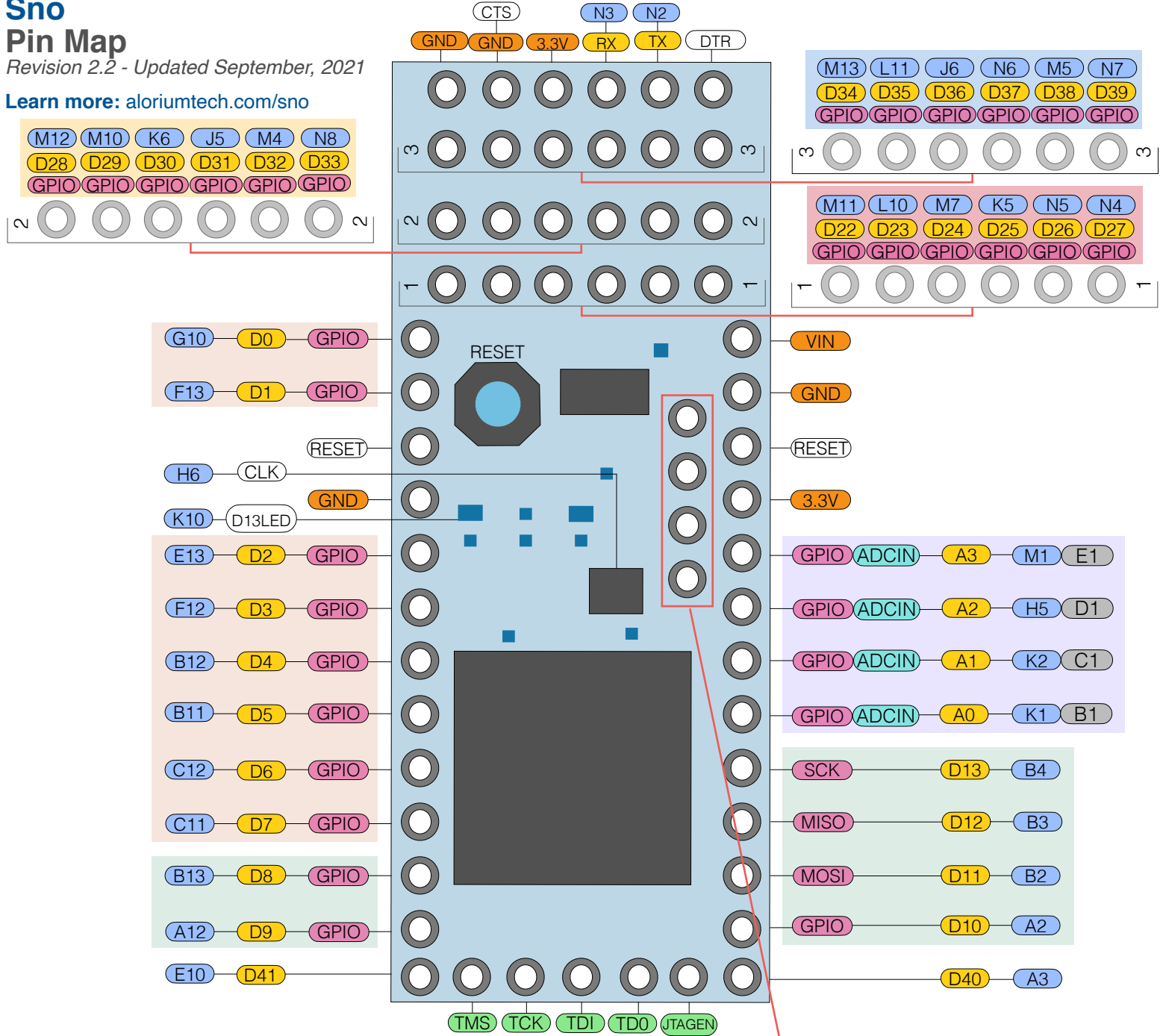


## Snō Pin Map

Revision 2.2 - Updated September, 2021

Learn more: [aloriumtech.com/sno](http://aloriumtech.com/sno)



- MAX10 pin number
- Arduino pin number
- MAX10 ADC pin number
- 3.3V GPIO
- Power supply
- Analog inputs
- JTAG BUS
- Other

