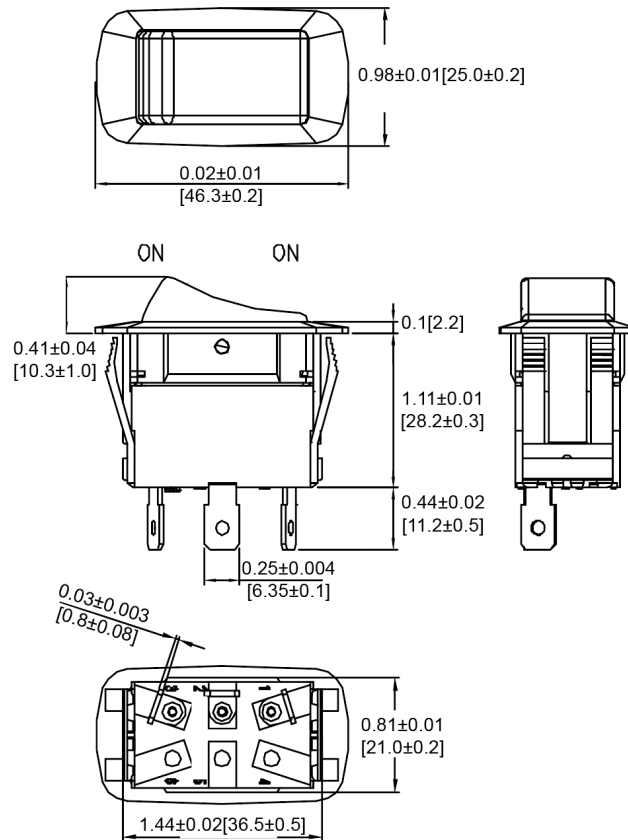
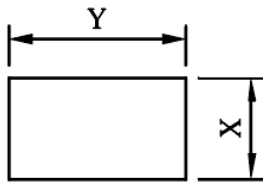


Mechanical Dimensions: Inches [mm]

Tolerances ± 0.012 [0.3] Unless Otherwise Specified



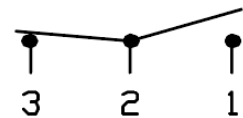
Mounting Hole



Thickness	X	Y
0.0~0.04 [0.75~1.25]	0.83 ± 0.004 [21.2 \pm 0.1]	0.87 ± 0.004 [36.6 \pm 0.1]
0.04~0.07 [1.25~2.0]	0.83 ± 0.004 [21.2 \pm 0.1]	1.45 ± 0.004 [36.8 \pm 0.1]
0.07~0.11 [2.0~3.0]	0.83 ± 0.004 [21.2 \pm 0.1]	1.46 ± 0.004 [37.0 \pm 0.1]

Circuit Diagram

3P SPDT ON-ON



Electrical Specifications

Rating	16A 125VAC 10A 277VAC 3/4HP 16(4)A 125/250V AC
Contact Resistance	50m ohm Max.
Insulation Resistance	DC 500V 100M ohm Min
Dielectric Strength	AC 1500V 1 minute
Operation Temperature	-20°C ~ 85°C

Material Specifications

Frame	Black, Nylon 66
Actuator	Black, Nylon 66+33%GF
Waterproof	IP56

Rocker Switch

SRB1-1D-AC-1-NN



Rev	Date of issue	Revision Notes	Designed	Approved
A	12-01-2021	Initial Drawing	RC	OF