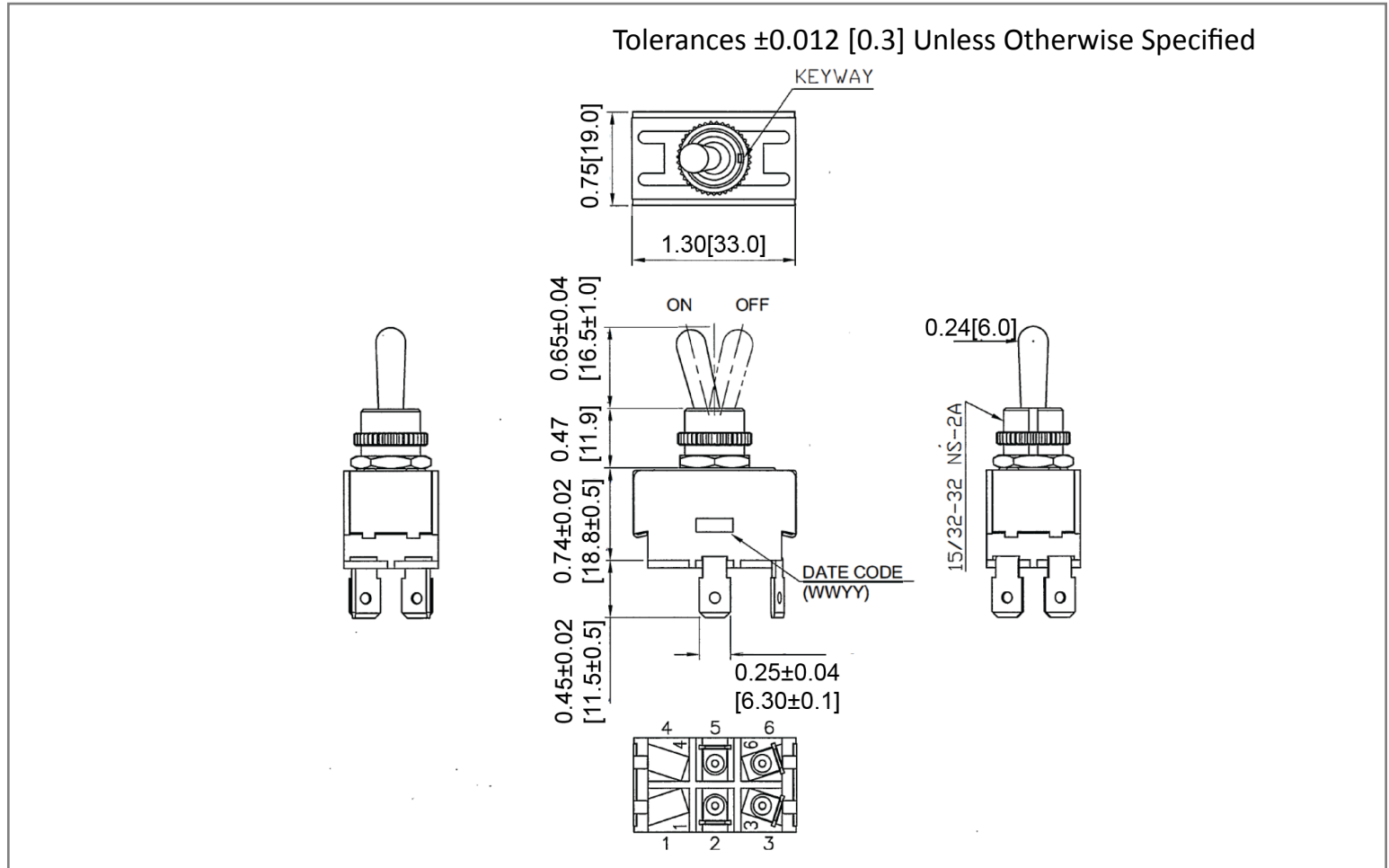
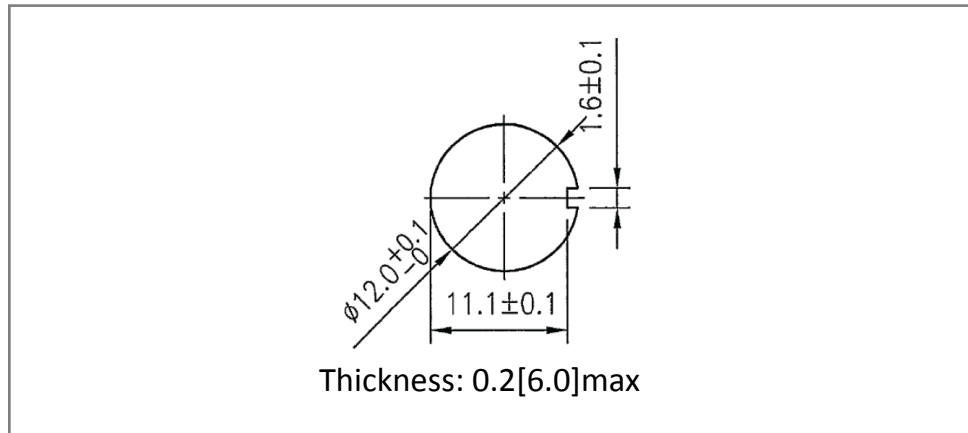


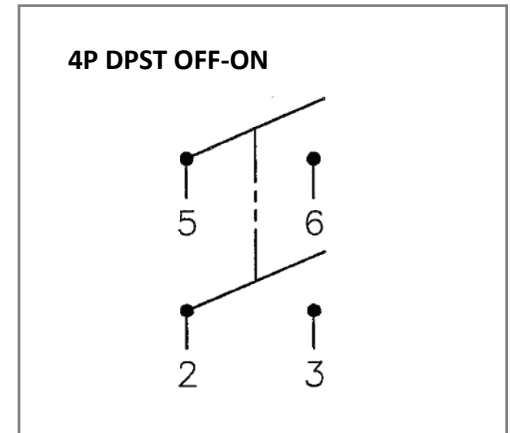
Mechanical Dimensions: Inches [mm]



Mounting Hole



Circuit Diagram



Electrical Specifications

Rating	20A 125VAC, 10A 277VAC 1 1/2HP 125-250VAC
Contact Resistance	50m ohm Max
Insulation Resistance	AC 500V 100M ohm Min
Dielectric Strength	AC 1500V 1 minute
Operation Temperature	1200gf \pm 300gf

Material Specifications

1 HEX NUT ASSY
1 KNURL NUT ASSY

Rev	Date of issue	Revision Notes	Designed	Approved
A	01-13-2020	Initial Drawing	RC	OF