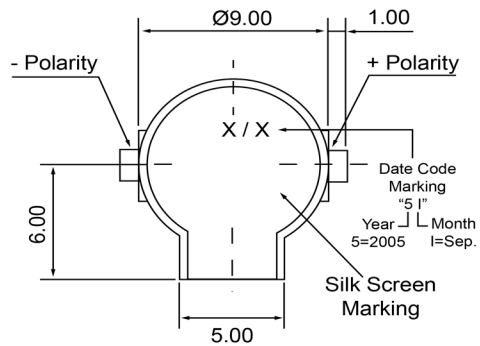
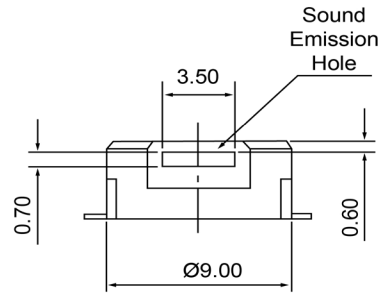


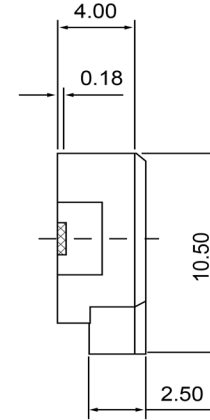
TOP VIEW



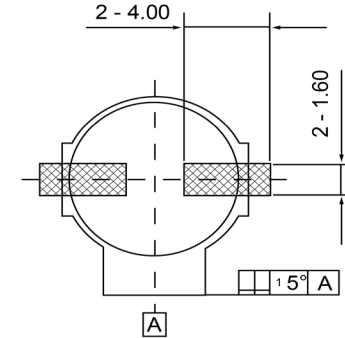
SIDE VIEW (1)





SIDE VIEW (2)



BOTTOM VIEW



Specifications			Notes	Revision History					
Description	Value	Unit		Version	Description	Date	Approved		
Technology	Electro-Mechanical		1) All dimensions are in mm unless otherwise noted 2) All parts meet RoHS	1	Released from Engineering	10/21/2013	J.S		
Resonant Frequency	2,731	(Hz)							
Rated Voltage	3.6	(V)							
SPL @ 10cm	87	(dBA)							
Coil Resistance	16	(ohm)							
Mount Type	Surface Mount								
Voltage Range	2.5 ~ 4.5	(V)							
Max Rated Current	90	(mA)							
Housing Material	PA46								
Operating Temperature	-20 ~ +60	°C							
Storage Temperature	-20 ~ +60	°C							
Weight	0.7	(g)							
						Electro-Mechanical Transducer		TE093103-1	
						Drawn by A.B.	Date 10/21/2013	Checked by C.E.	Date 10/21/2013