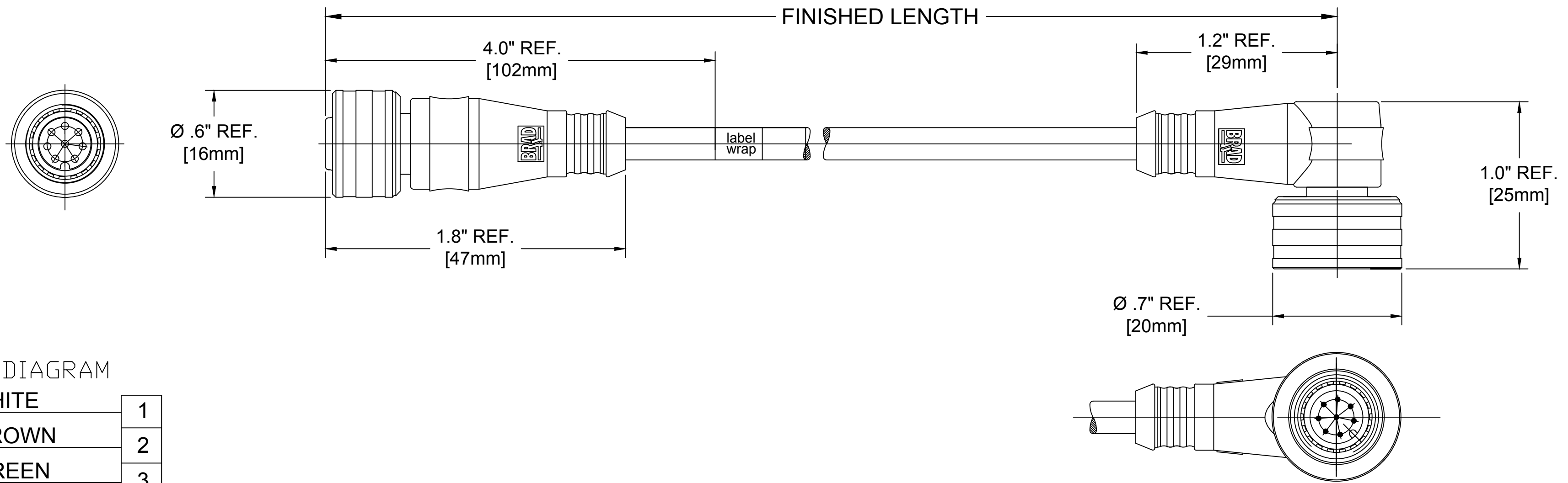


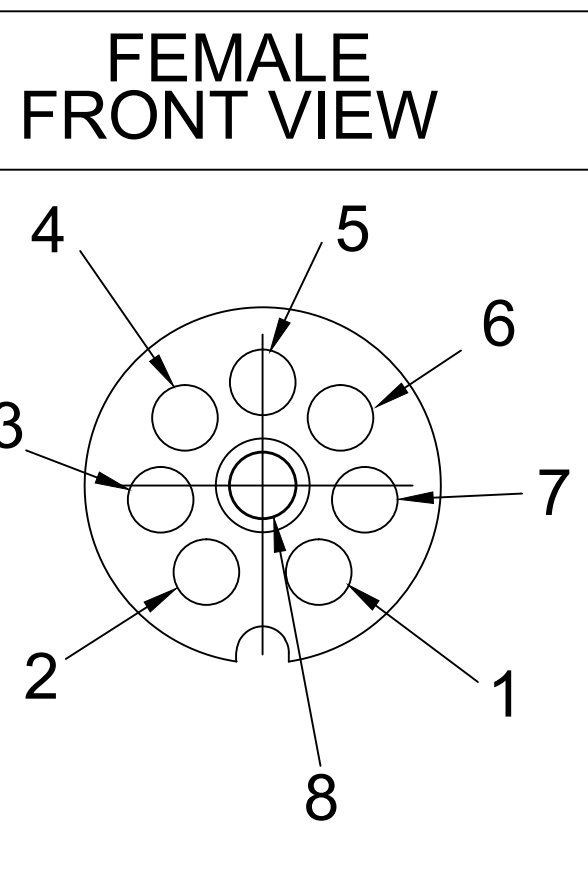
13	12	11	10	9	8	7	6	5	4	3	2	1
MATERIAL NUMBER		OLD PART NUMBER		FINISHED LENGTH								
1200808035		WW8032H08M010		1M +55.6mm -0 [3.3FT. +2.2IN -0]								



WIRING DIAGRAM

1	WHITE	1
2	BROWN	2
3	GREEN	3
4	YELLOW	4
5	GRAY	5
6	PINK	6
7	BLUE	7
8	RED	8

8-POLE

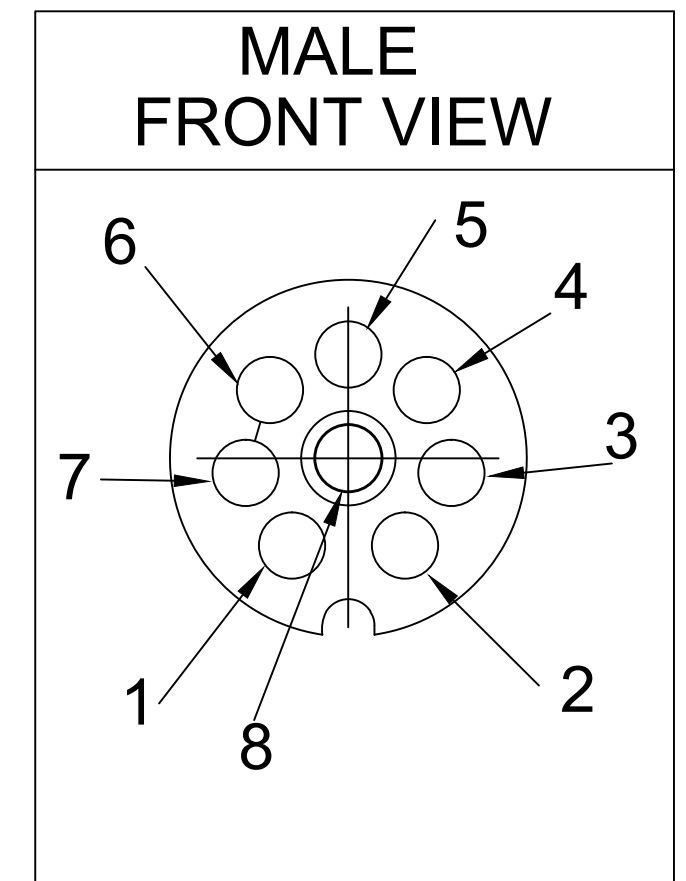


WW8032H08M010

cable type
#24 PUR
BLACK

cable length
010----1 Meter
100----10 Meters

8-POLE



SPECIFICATION DATA

COMPONENT	MATERIAL	FINISH
LABEL	MYLAR	BLACK/YELLOW
COUPLER	BRASS	NICKEL PLATED
CONTACT	COPPER ALLOY	Au OVER Ni
INSERT	PUR	BLACK
OVERMOLD	TPU	BLACK
CABLE #24	PUR	BLACK
VOLTAGE RATING:		300V
AMPERAGE RATING:		2A
PROTECTION CLASS:		IP67/68/69K
OPERATING TEMPERATURE:		-30°C / 80°C
CSA CERTIFICATIONS:		FILE NO. LR6837

RELEASE EC NO: ICG2014-0591 DRWN: GGUSTAFS 2013/09/26 CH'KD: BARDEN APPR: BWOODMAN2013/10/09 A	QUALITY SYMBOL ▽=0 ▽C=0	GENERAL TOLERANCES (UNLESS SPECIFIED)	DIMENSION STYLE IN/MM	SCALE NTS	DESIGN UNITS INCH	THIRD ANGLE PROJECTION
		mm INCH	DRAWN BY DATE GGUSTAFS 2013/09/26	TITLE MICRO CHANGE ULTRA LOCK 8P FEMALE/MALE ST/90D #24 PUR		
		4 PLACES ±--- ±--- 3 PLACES ±--- ±.005 2 PLACES ±0.13 ±.010 1 PLACE ±0.25 ±.020	CHECKED BY DATE BARDEN 2013/11/28	MOLEX INCORPORATED		
		ANGULAR ±.5° DRAFT WHERE APPLICABLE MUST REMAIN WITHIN DIMENSIONS	APPROVED BY DATE BWOODMAN 2013/10/09	MATERIAL NO. SEE CHART	DOCUMENT NO. SD-120080-075	SHEET NO. 1 OF 1
THIS DRAWING CONTAINS INFORMATION THAT IS PROPRIETARY TO MOLEX INCORPORATED AND SHOULD NOT BE USED WITHOUT WRITTEN PERMISSION						