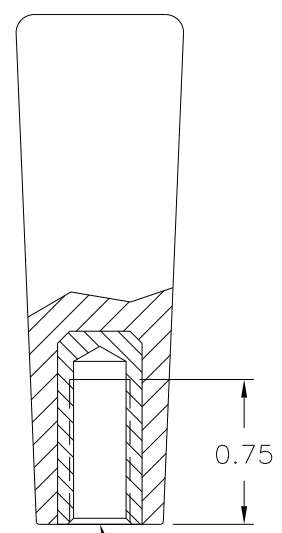
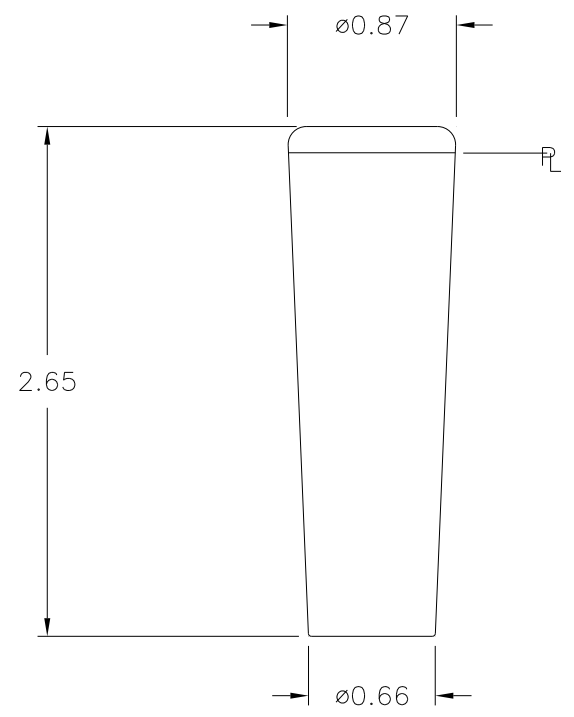


PART NAME: HANDLE SCALE: 1:1 DATE: 4/16/96 DR. BY HD

THIS DRAWING IS THE PROPERTY OF DAVIES MOLDING COMPANY, IS SUBMITTED SOLELY AS A DESIGN OR ENGINEERING PROJECT. WE ACCEPT NO RESPONSIBILITY WHATSOEVER FOR THE PRACTICAL APPLICATION OF THE PIECES MADE TO THIS DESIGN.



P/N	0692CU
M ^{NO.}	0692
CAVITY	0692
PLUNGER	0692
PIN	0692-R
INSERT	I1356



5/16-18 UNC-2B THREADED
I1356, H.H. BRASS

MATERIAL: G.P. PHENOLIC (B11)
COLOR: BLACK

TOLERANCES: UNLESS OTHERWISE SPECIFIED	DO NOT SCALE DRAWING				
DECIMALS: X.XXX ± .005 X.XX ± .015	MM: X.XX ± 0.15MM X.X ± 0.4MM	-	REDRAWN	TL	12/3/99
FRACTIONS ± 1/64	ANG. ± 1°	CHANGES			