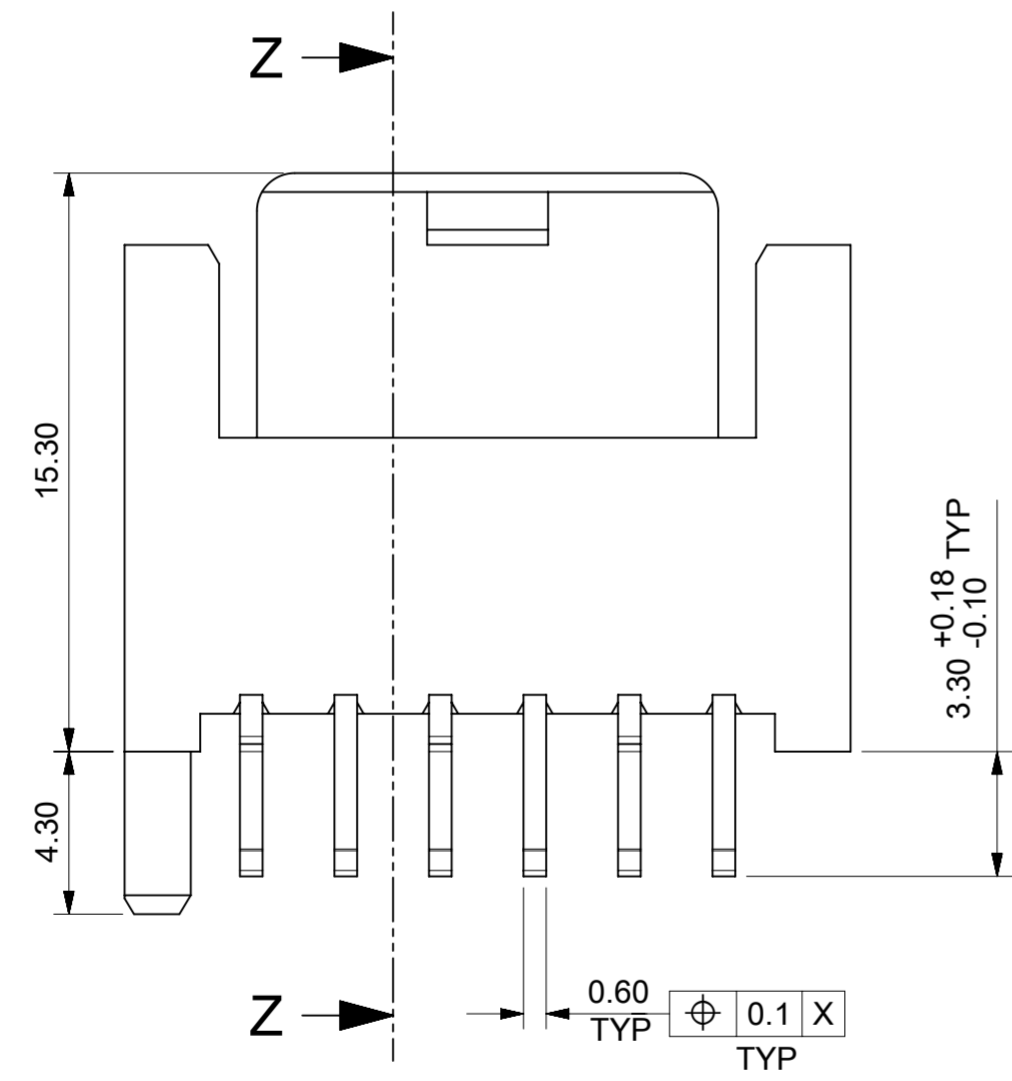
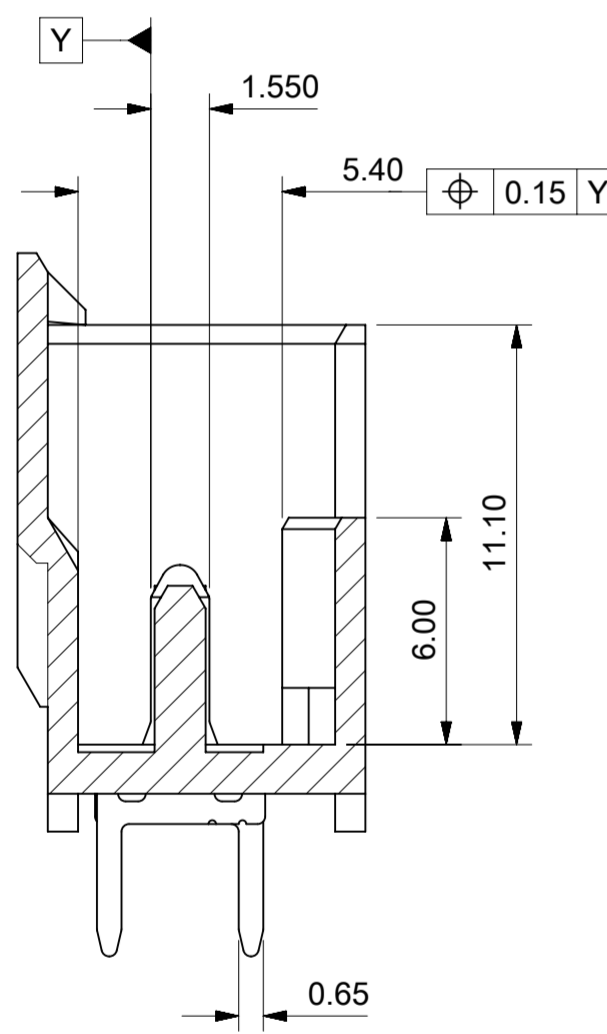


CCT	A	B	C
3	5.00	10.10	11.70
4	7.50	12.60	14.20
5	10.00	15.10	16.70
6	12.50	17.60	19.20
7	15.00	20.10	21.70
8	17.50	22.60	24.20
9	20.00	25.10	26.70
10	22.50	27.60	29.20
11	25.00	30.10	31.70
12	27.50	32.60	34.20
13	30.00	35.10	36.70
14	32.50	37.60	39.20
15	35.00	40.10	41.70



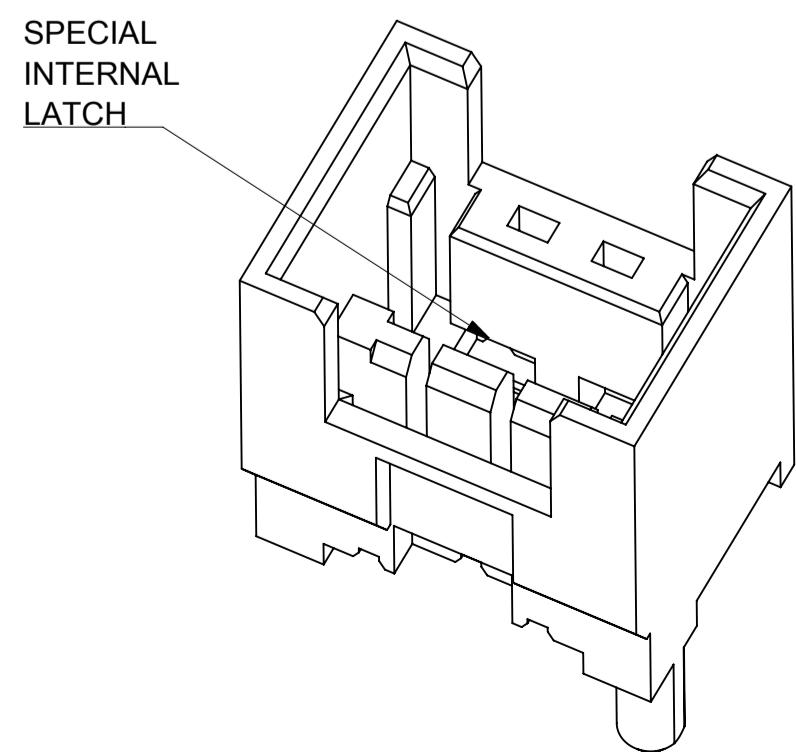
- NOTES:
- MATERIAL: HOUSING - PA66 25% G/F, UL94 V-0
COLOUR: NATURAL
TERMINAL - BRASS
PLATING - 3-7µm Sn over 1.27µm Min Ni
 - PARTS PACKED AS PER PK-90370-001
 - PRODUCT SPECIFICATION: PS-93070-001
 - RECOMMENDED PCB THICKNESS: 1.5+/-0.14mm

THIS DRAWING CONTAINS INFORMATION THAT IS PROPRIETARY TO MOLEX ELECTRONIC TECHNOLOGIES, LLC AND SHOULD NOT BE USED WITHOUT WRITTEN PERMISSION

DIMENSION UNITS mm	SCALE 1:1	CURRENT REV DESC: CAD MIGRATION		molex				
GENERAL TOLERANCES (UNLESS SPECIFIED)		EC NO: 168108						RAST 2.5 APPLI-MATE VERTICAL MALE HEADER 2.5 PITCH
ANGULAR TOL ± 2.0°	4 PLACES ±	DRWN: AKABADI	2018/03/05	PRODUCT CUSTOMER DRAWING				
3 PLACES ± 0.05	2 PLACES ± 0.1	CHK'D: CFISHER01	2018/03/08	DOCUMENT NUMBER				
1 PLACE ± 0.2	0 PLACES ±	APPR: BRUTTLE	2018/03/20	930700001				
DRAFT WHERE APPLICABLE MUST REMAIN WITHIN DIMENSIONS	THIRD ANGLE PROJECTION	DRAWING	SERIES	MATERIAL NUMBER	CUSTOMER	DOC TYPE	DOC PART	REVISION
		A2-SIZE	93070	SEE SHEETS 2-7	GENERAL MARKET	PSD	000	A
								SHEET NUMBER
								1 OF 7

3 CIRCUIT

MOLEX PART NO.	HOUSING PART NO.	BLOCKED POSITION KEYS	TERMINAL VOID POSITION	CONFIGURATION	LATCH	CCT 1 LOCATION	HOUSING COLOUR
93070-0001	91698-0001	NONE	NONE		YES	STANDARD	NATURAL
93070-0002	91698-0007	b d	NONE		YES	STANDARD	NATURAL
93070-0003	91698-0010	b c	NONE		YES	STANDARD	NATURAL
93070-0004	91698-0006	d	NONE		YES	STANDARD	NATURAL
93070-0005	91698-0003	a	NONE		YES	STANDARD	NATURAL
93070-0006	91698-0009	a b	NONE		YES	STANDARD	NATURAL
93070-0007	91698-0008	a c	NONE		YES	STANDARD	NATURAL
93070-0008	91698-0002	a d	NONE		YES	STANDARD	NATURAL
93070-0009	91698-0011	c d	NONE		YES	STANDARD	NATURAL
93070-0010	91698-0004	b	NONE		YES	STANDARD	NATURAL
93070-0011	91698-0251	NONE	NONE		NO	STANDARD	NATURAL
93070-0012	91698-0018	b d	NONE		YES	STANDARD	BLUE
93070-0013	91698-0019	b c	NONE		YES	STANDARD	RED
93070-0014	91698-0020	d	NONE		YES	STANDARD	GREEN
93070-0015	91698-0021	a	NONE		YES	STANDARD	BLACK
93070-0016	91698-0252	b c INTERNAL LATCHING	NONE		NO	STANDARD	NATURAL



- NOTES:
- + DENOTES TERMINAL VOIDED POSITION.
 - ⊕ DENOTES TERMINAL LOADED POSITION.
 - DENOTES SPECIAL INTERNAL LATCHING.

4 CIRCUIT

MOLEX PART NO.	HOUSING PART NO.	BLOCKED POSITION KEYS	TERMINAL VOID POSITION	CONFIGURATION	LATCH	CCT 1 LOCATION	HOUSING COLOUR
93070-0501	91698-0501	NONE	NONE		YES	STANDARD	NATURAL
93070-0502	91698-0507	b c	NONE		YES	STANDARD	NATURAL
93070-0503	91698-0507	b c	CCT 4		YES	STANDARD	NATURAL
93070-0504	91698-0512	c d	NONE		YES	STANDARD	NATURAL
93070-0505	91698-0501	NONE	CCT 1		YES	STANDARD	NATURAL
93070-0601	91698-0507	b c	NONE		YES	OPPOSITE	NATURAL
93070-0506	91698-0506	b	NONE		YES	STANDARD	NATURAL
93070-0507	91698-0514	c	NONE		YES	STANDARD	NATURAL
93070-0508	91698-0502	d	NONE		YES	STANDARD	NATURAL
93070-0509	91698-0515	a c d	NONE		YES	STANDARD	NATURAL
93070-0510	91698-0516	b c d	NONE		YES	STANDARD	NATURAL
93070-0511	91698-0517	b c d	NONE		YES	STANDARD	RED
93070-0512	91698-0518	d	NONE		YES	STANDARD	RED
93070-0513	91698-0519	b d	NONE		YES	STANDARD	NATURAL
93070-0514	91698-0509	d e	NONE		YES	STANDARD	NATURAL
93070-0515	91698-0513	a c e	NONE		YES	STANDARD	NATURAL
93070-0516	91698-0520	b	NONE		YES	STANDARD	RED
93070-0517	91698-0521	d	NONE		YES	STANDARD	BLUE
93070-0518	91698-0519	b d	CCT 2,3		YES	STANDARD	NATURAL
93070-0519	91698-0505	a	NONE		YES	STANDARD	NATURAL
93070-0520	91698-0522	b e	NONE		YES	STANDARD	NATURAL

THIS DRAWING CONTAINS INFORMATION THAT IS PROPRIETARY TO MOLEX ELECTRONIC TECHNOLOGIES, LLC AND SHOULD NOT BE USED WITHOUT WRITTEN PERMISSION

DIMENSION UNITS	SCALE	CURRENT REV DESC: CAD MIGRATION		molex	
mm	1:1				
GENERAL TOLERANCES (UNLESS SPECIFIED)		EC NO: 168108		RAST 2.5 APPLI-MATE VERTICAL MALE HEADER 2.5 PITCH	
ANGULAR TOL	± 2.0°	DRWN: AKABADI	2018/03/05		
4 PLACES	±	CHK'D: CFISHER01	2018/03/08		
3 PLACES	± 0.05	APPR: BRUTTLE	2018/03/20	PRODUCT CUSTOMER DRAWING	
2 PLACES	± 0.1	INITIAL REVISION:		DOCUMENT NUMBER	
1 PLACE	± 0.2	DRWN: CRAODOREMS	2017/09/28	930700001	
0 PLACES	±	APPR: BRUTTLE	2018/03/20	DOC TYPE	DOC PART
DRAFT WHERE APPLICABLE MUST REMAIN WITHIN DIMENSIONS		THIRD ANGLE PROJECTION	DRAWING	SERIES	MATERIAL NUMBER
			A1-SIZE	93070	CUSTOMER
					SEE SHEETS 2-7
					GENERAL MARKET
					SHEET NUMBER
					2 OF 7

5 CIRCUIT

MOLEX PART NO.	HOUSING PART NO.	BLOCKED POSITION KEYS	TERMINAL VOID POSITION	CONFIGURATION	LATCH	CCT 1 LOCATION	HOUSING COLOUR
93070-1001	91698-1001	NONE	NONE		YES	STANDARD	NATURAL
93070-1002	91698-1004	cd	NONE		YES	STANDARD	NATURAL
93070-1003	91698-1008	a d f	NONE		YES	STANDARD	NATURAL
93070-1101	91698-1001	NONE	NONE		YES	OPPOSITE	NATURAL
93070-1004	91698-1009	d	NONE		YES	STANDARD	NATURAL
93070-1005	91698-1007	a b e f	NONE		YES	STANDARD	NATURAL
93070-1006	91698-1011	b c d e	NONE		YES	STANDARD	NATURAL
93070-1007	91698-1014	cd	NONE		YES	STANDARD	RED
93070-1008	91698-1017	a b e f	NONE		YES	STANDARD	BLUE
93070-1009	91698-1028	b c d e	NONE		YES	STANDARD	BLUE
93070-1010	91698-1018	d e	NONE		YES	STANDARD	NATURAL
93070-1011	91698-1019	b d e	NONE		YES	STANDARD	NATURAL
93070-1012	91698-1020	a c f	NONE		YES	STANDARD	NATURAL
93070-1013	91698-1021	a b c d	NONE		YES	STANDARD	NATURAL
93070-1014	91698-1022	a b d e	NONE		YES	STANDARD	NATURAL
93070-1015	91698-1023	a b c e	NONE		YES	STANDARD	NATURAL
93070-1016	91698-1024	b d e	CCT 4		YES	STANDARD	GREEN

NOTES:

1. + DENOTES TERMINAL VOIDED POSITION.

⊕ DENOTES TERMINAL LOADED POSITION.

THIS DRAWING CONTAINS INFORMATION THAT IS PROPRIETARY TO MOLEX ELECTRONIC TECHNOLOGIES, LLC AND SHOULD NOT BE USED WITHOUT WRITTEN PERMISSION									
DIMENSION UNITS	SCALE	CURRENT REV DESC: CAD MIGRATION							
mm	1:1								
GENERAL TOLERANCES (UNLESS SPECIFIED)		EC NO: 168108			RAST 2.5 APPLI-MATE VERTICAL MALE HEADER 2.5 PITCH				
ANGULAR TOL	± 2.0°	DRWN: AKABADI 2018/03/05							
4 PLACES	±	CHK'D: CFISHER01 2018/03/08			PRODUCT CUSTOMER DRAWING				
3 PLACES	± 0.05	APPR: BRUTTLE 2018/03/20							
2 PLACES	± 0.1	INITIAL REVISION:			DOCUMENT NUMBER: 930700001 DOC TYPE: PSD DOC PART: 000 REVISION: A				
1 PLACE	± 0.2	DRWN: CRAODOREMS 2017/09/28							
0 PLACES	±	APPR: BRUTTLE 2018/03/20			MATERIAL NUMBER: SEE SHEETS 2-7 CUSTOMER: GENERAL MARKET SHEET NUMBER: 3 OF 7				
DRAFT WHERE APPLICABLE MUST REMAIN WITHIN DIMENSIONS		THIRD ANGLE PROJECTION	DRAWING	SERIES					
			A1-SIZE	93070					

6 CIRCUIT

MOLEX PART NO.	HOUSING PART NO.	BLOCKED POSITION KEYS	TERMINAL VOID POSITION	CONFIGURATION	LATCH	CCT 1 LOCATION	HOUSING COLOUR
93070-1501	91698-1501	NONE	NONE		YES	STANDARD	NATURAL
93070-1502	91698-1508	d f	CCT 2, 5		YES	STANDARD	NATURAL
93070-1503	91698-1513	c e	NONE		YES	STANDARD	NATURAL
93070-1505	91698-1508	d f	NONE		YES	STANDARD	NATURAL
93070-1506	91698-1514	b d f	CCT 4, 5		YES	STANDARD	NATURAL
93070-1507	91698-1501	NONE	CCT 2		YES	STANDARD	NATURAL
93070-1508	91698-1511	c f	CCT 2		YES	STANDARD	NATURAL
93070-1509	91698-1515	d	NONE		YES	STANDARD	NATURAL
93070-1510	91698-1516	a b c e f	NONE		YES	STANDARD	NATURAL
93070-1511	91698-1507	e f	NONE		YES	STANDARD	NATURAL
93070-1512	91698-1517	d f	NONE		YES	STANDARD	GREEN
93070-1513	91698-1512	b d e f	CCT 2, 4		YES	STANDARD	NATURAL
93070-1514	91698-1518	a b d f	NONE		YES	STANDARD	NATURAL
93070-1515	91698-1516	a b c e f	CCT 1		YES	STANDARD	NATURAL
93070-1516	91698-1751	NONE	NONE		NO	STANDARD	NATURAL
93070-1517	91698-1519	c d	CCT 2, 5		YES	STANDARD	NATURAL
93070-1518	91698-1520	c e g	NONE		YES	STANDARD	RED
93070-1519	91698-1521	d f	NONE		YES	STANDARD	BLACK

THIS DRAWING CONTAINS INFORMATION THAT IS PROPRIETARY TO MOLEX ELECTRONIC TECHNOLOGIES, LLC AND SHOULD NOT BE USED WITHOUT WRITTEN PERMISSION				
DIMENSION UNITS mm	SCALE 1:1	CURRENT REV DESC: CAD MIGRATION		
GENERAL TOLERANCES (UNLESS SPECIFIED)		 RAST 2.5 APPLI-MATE VERTICAL MALE HEADER 2.5 PITCH		
ANGULAR TOL	± 2.0°			EC NO: 168108
4 PLACES	±			DRWN: AKABADI 2018/03/05
3 PLACES	± 0.05			CHK'D: CFISHER01 2018/03/08
2 PLACES	± 0.1			APPR: BRUTTLE 2018/03/20
1 PLACE	± 0.2			INITIAL REVISION:
0 PLACES	±	DRWN: CRAODOREMS 2017/09/28	DOCUMENT NUMBER 930700001	
DRAFT WHERE APPLICABLE MUST REMAIN WITHIN DIMENSIONS		THIRD ANGLE PROJECTION	DOC TYPE DOC PART REVISION PSD 000 A	
		DRAWING A1-SIZE	SERIES 93070	
		MATERIAL NUMBER SEE SHEETS 2-7	CUSTOMER GENERAL MARKET	
		SHEET NUMBER 4 OF 7		

7 CIRCUIT

MOLEX PART NO.	HOUSING PART NO.	BLOCKED POSITION KEYS	TERMINAL VOID POSITION	CONFIGURATION	LATCH	CCT 1 LOCATION	HOUSING COLOUR
93070-2001	91698-2001	NONE	NONE		YES	STANDARD	NATURAL
93070-2002	91698-2006	a f	CCT 2, 6		YES	STANDARD	NATURAL
93070-2003	91698-2007	d g	CCT 4		YES	STANDARD	NATURAL
93070-2004	91698-2008	a e	CCT 4		YES	STANDARD	NATURAL
93070-2005	91698-2009	d f g	CCT 4		YES	STANDARD	NATURAL
93070-2006	91698-2006	a f	CCT 4		YES	STANDARD	NATURAL
93070-2007	91698-2003	a	NONE		YES	STANDARD	NATURAL
93070-2008	91698-2001	NONE	CCT 2		YES	STANDARD	NATURAL
93070-2009	91698-2003	a	CCT 4		YES	STANDARD	NATURAL
93070-2010	91698-2005	h	CCT 2		YES	STANDARD	NATURAL
93070-2011	91698-2010	b e g	NONE		YES	STANDARD	NATURAL
93070-2013	91698-2005	h	CCT 2		YES	STANDARD	NATURAL
93070-2014	91698-2016	ALL	NONE		YES	STANDARD	NATURAL
93070-2015	91698-2012	b c d e f g	NONE		YES	STANDARD	NATURAL

NOTES:
 1.+ DENOTES TERMINAL VOIDED POSITION.
 ⊕ DENOTES TERMINAL LOADED POSITION.

8 CIRCUIT

MOLEX PART NO.	HOUSING PART NO.	BLOCKED POSITION KEYS	TERMINAL VOID POSITION	CONFIGURATION	LATCH	CCT 1 LOCATION	HOUSING COLOUR
93070-2501	91698-2501	NONE	NONE		YES	STANDARD	NATURAL
93070-2502	91698-2504	c f h i	NONE		YES	STANDARD	NATURAL
93070-2503	91698-2503	b c d h i	CCT 4, 7		YES	STANDARD	NATURAL
93070-2601	91698-2501	NONE	CCT 4, 7		YES	OPPOSITE	NATURAL
93070-2504	91698-2503	b c d h i	NONE		YES	STANDARD	NATURAL
93070-2505	91698-2507	a c e f h i	NONE		YES	STANDARD	NATURAL
93070-2506	91698-2508	a b d f h i	CCT 7, 8		YES	STANDARD	NATURAL
93070-2508	91698-2505	b c d g h i	NONE		YES	STANDARD	NATURAL
93070-2509	91698-2506	c d e h	NONE		YES	STANDARD	NATURAL
93070-2510	91698-2509	c h i	NONE		YES	STANDARD	NATURAL
93070-2511	91698-2510	c g	NONE		YES	STANDARD	NATURAL

THIS DRAWING CONTAINS INFORMATION THAT IS PROPRIETARY TO MOLEX ELECTRONIC TECHNOLOGIES, LLC AND SHOULD NOT BE USED WITHOUT WRITTEN PERMISSION									
DIMENSION UNITS	SCALE	CURRENT REV DESC: CAD MIGRATION							
mm	1:1	 RAST 2.5 APPLI-MATE VERTICAL MALE HEADER 2.5 PITCH PRODUCT CUSTOMER DRAWING							
GENERAL TOLERANCES (UNLESS SPECIFIED)									
ANGULAR TOL	± 2.0°								
4 PLACES	±								
3 PLACES	± 0.05								
2 PLACES	± 0.1								
1 PLACE	± 0.2	EC NO: 168108	2018/03/05		DRWN: AKABADI APPR: BRUTTLE				
0 PLACES	±	DRWN: CRAODOREMS	2018/03/20						
DRAFT WHERE APPLICABLE MUST REMAIN WITHIN DIMENSIONS		THIRD ANGLE PROJECTION		DRAWING				SERIES	
				A1-SIZE	93070	MATERIAL NUMBER		CUSTOMER	
				SEE SHEETS 2-7	GENERAL MARKET	DOCUMENT NUMBER		DOC TYPE	DOC PART
						930700001		PSD	000
									REVISION
									A
								SHEET NUMBER	
								5 OF 7	

9 CIRCUIT

MOLEX PART NO.	HOUSING PART NO.	BLOCKED POSITION KEYS	TERMINAL VOID POSITION	CONFIGURATION	LATCH	CCT 1 LOCATION	HOUSING COLOUR
93070-3001	91698-3001	NONE	NONE		YES	STANDARD	NATURAL
93070-3002	91698-3003	ALL	CCT 2, 5, 8		YES	STANDARD	NATURAL
93070-3101	91698-3001	NONE	CCT 3, 5, 8		YES	OPPOSITE	NATURAL
93070-3003	91698-3004	c d e i j	CCT 3, 5, 8		YES	STANDARD	NATURAL
93070-3004	91698-3001	NONE	CCT 2, 5, 8		YES	STANDARD	NATURAL
93070-3005	91698-3006	b c d e f g i	CCT 3, 5, 8		YES	STANDARD	NATURAL
93070-3006	91698-3010	a d e f g j	NONE		YES	STANDARD	NATURAL

10 CIRCUIT

MOLEX PART NO.	HOUSING PART NO.	BLOCKED POSITION KEYS	TERMINAL VOID POSITION	CONFIGURATION	LATCH	CCT 1 LOCATION	HOUSING COLOUR
93070-3501	91698-3501	NONE	NONE		YES	STANDARD	NATURAL
93070-3502	91698-3501	NONE	CCT 2, 5, 7, 9		YES	STANDARD	NATURAL
93070-3503	91698-3504	a b d e f g i j	NONE		YES	STANDARD	NATURAL
93070-3504	91698-3501	NONE	CCT 2, 6, 9		YES	STANDARD	NATURAL

THIS DRAWING CONTAINS INFORMATION THAT IS PROPRIETARY TO MOLEX ELECTRONIC TECHNOLOGIES, LLC AND SHOULD NOT BE USED WITHOUT WRITTEN PERMISSION									
DIMENSION UNITS	SCALE	CURRENT REV DESC: CAD MIGRATION							
mm	1:1								
GENERAL TOLERANCES (UNLESS SPECIFIED)		EC NO: 168108				RAST 2.5 APPLI-MATE VERTICAL MALE HEADER 2.5 PITCH			
ANGULAR TOL	± 2.0°	DRWN: AKABADI 2018/03/05							
4 PLACES	±	CHK'D: CFISHER01 2018/03/08				PRODUCT CUSTOMER DRAWING			
3 PLACES	± 0.05	APPR: BRUTTLE 2018/03/20							
2 PLACES	± 0.1	INITIAL REVISION:				DOCUMENT NUMBER: 930700001 DOC TYPE: PSD DOC PART: 000 REVISION: A			
1 PLACE	± 0.2	DRWN: CRAODOREMS 2017/09/28							
0 PLACES	±	APPR: BRUTTLE 2018/03/20				MATERIAL NUMBER: SEE SHEETS 2-7 CUSTOMER: GENERAL MARKET SHEET NUMBER: 6 OF 7			
DRAFT WHERE APPLICABLE MUST REMAIN WITHIN DIMENSIONS		THIRD ANGLE PROJECTION	DRAWING	SERIES					
			A1-SIZE	93070					

11 CIRCUIT

MOLEX PART NO.	HOUSING PART NO.	BLOCKED POSITION KEYS	TERMINAL VOID POSITION	CONFIGURATION	LATCH	CCT 1 LOCATION	HOUSING COLOUR
93070-4001	91698-4001	NONE	NONE		YES	STANDARD	NATURAL
93070-4002	91698-4001	NONE	CCT 4,8		YES	STANDARD	NATURAL

14 CIRCUIT

MOLEX PART NO.	HOUSING PART NO.	BLOCKED POSITION KEYS	TERMINAL VOID POSITION	CONFIGURATION	LATCH	CCT 1 LOCATION	HOUSING COLOUR
93070-5501	91698-5501	NONE	NONE		YES	STANDARD	NATURAL

12 CIRCUIT

MOLEX PART NO.	HOUSING PART NO.	BLOCKED POSITION KEYS	TERMINAL VOID POSITION	CONFIGURATION	LATCH	CCT 1 LOCATION	HOUSING COLOUR
93070-4501	91698-4501	NONE	NONE		YES	STANDARD	NATURAL
93070-4502	91698-4501	NONE	CCT 2, 5, 8, 11		YES	STANDARD	NATURAL

15 CIRCUIT

MOLEX PART NO.	HOUSING PART NO.	BLOCKED POSITION KEYS	TERMINAL VOID POSITION	CONFIGURATION	LATCH	CCT 1 LOCATION	HOUSING COLOUR
93070-6001	91698-6001	NONE	NONE		YES	STANDARD	NATURAL
93070-6002	91698-6003	o p	CCT 4, 6, 8, 10, 12, 14		YES	STANDARD	NATURAL
93070-6003	91698-6002	a d g i j n o p	NONE		YES	STANDARD	NATURAL

13 CIRCUIT

MOLEX PART NO.	HOUSING PART NO.	BLOCKED POSITION KEYS	TERMINAL VOID POSITION	CONFIGURATION	LATCH	CCT 1 LOCATION	HOUSING COLOUR
93070-5001	91698-5001	NONE	NONE		YES	STANDARD	NATURAL
93070-5002	91698-5001	NONE	CCT 4, 6, 8, 10, 12		YES	STANDARD	NATURAL

- NOTES:
- 1. + DENOTES TERMINAL VOIDED POSITION.
 - ⊕ DENOTES TERMINAL LOADED POSITION.

THIS DRAWING CONTAINS INFORMATION THAT IS PROPRIETARY TO MOLEX ELECTRONIC TECHNOLOGIES, LLC AND SHOULD NOT BE USED WITHOUT WRITTEN PERMISSION									
DIMENSION UNITS	SCALE	CURRENT REV DESC: CAD MIGRATION							
mm	1:1								
GENERAL TOLERANCES (UNLESS SPECIFIED)		EC NO: 168108				RAST 2.5 APPLI-MATE VERTICAL MALE HEADER 2.5 PITCH			
ANGULAR TOL	± 2.0°	DRWN: AKABADI 2018/03/05							
4 PLACES	±	CHK'D: CFISHER01 2018/03/08				PRODUCT CUSTOMER DRAWING			
3 PLACES	± 0.05	APPR: BRUTTLE 2018/03/20							
2 PLACES	± 0.1	INITIAL REVISION:				DOCUMENT NUMBER 930700001			
1 PLACE	± 0.2	DRWN: CRAODOREMS 2017/09/28							
0 PLACES	±	APPR: BRUTTLE 2018/03/20				DOC TYPE DOC PART REVISION PSD 000 A			
DRAFT WHERE APPLICABLE MUST REMAIN WITHIN DIMENSIONS		THIRD ANGLE PROJECTION	DRAWING	SERIES	MATERIAL NUMBER				
			A1-SIZE	93070	SEE SHEETS 2-7	GENERAL MARKET	7 OF 7		