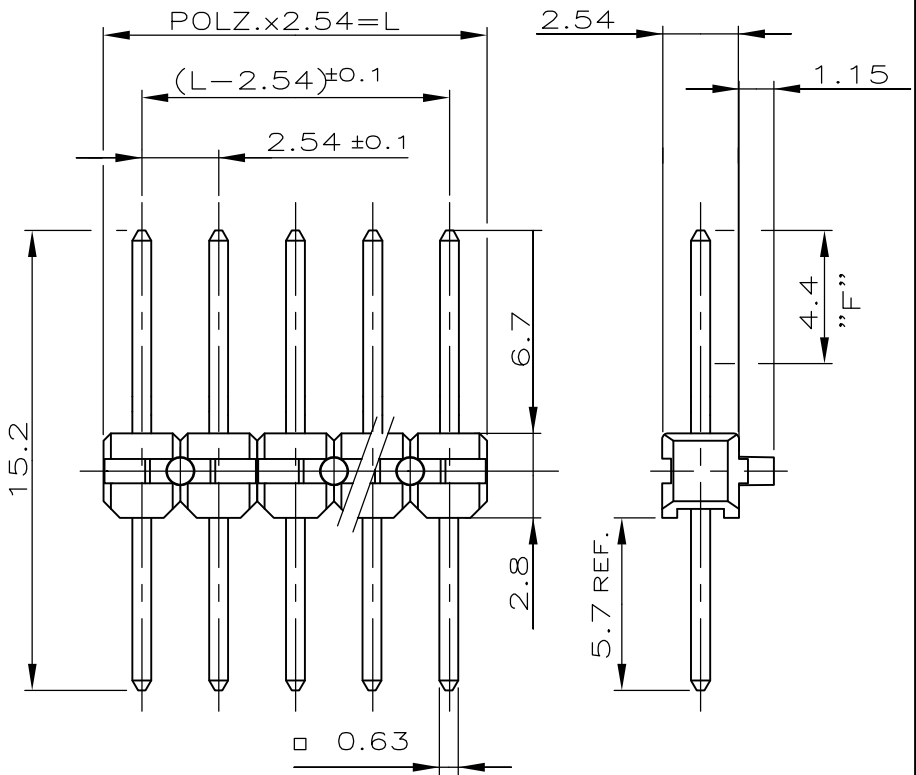


LOC	DIST	REVISIONS					
—	—	P	LTR	DESCRIPTION	DATE	DWN	APVD
		F		CONTACT PIN MATERIAL CHANGED FROM CuSn (Phosphor bronze) to CuZn (Brass). PLATING CHANGED FROM MIN. 0.8µm GOLD PLATING MIN. 0.7µm Pd Ni+0.1µm GOLD FLASH AT CONTACT AREA (Area F).	11JUN2014	TJ	JK

POLZ.	L±0.5	BESTELL-NR.	
1	2.54	825 434 -1	△2
2	5.08		△2
3	7.62		△2
4	10.16		△2
5	12.70		
6	15.24		△2
7	17.78		
8	20.32		△2
9	22.86		△2
10	25.40	1-	△2
11	27.94	1-	
12	30.48	1-	
13	33.02	1-	
14	35.56	1-	△2
15	38.10	1-	
16	40.64	1-	△2
17	43.18	1-	
18	45.72	1-	
19	48.26	1-	
20	50.80	2-	
21	53.34	2-	△2
22	55.88	2-	△2
23	58.42	2-	△2
24	60.96	2-	△2
25	63.50	2-	
26	66.04	2-	△2
27	68.58	2-	△2
28	71.12	2-	△2
29	73.66	2-	△2
30	76.20	3-	△2
31	78.74	3-	△2
32	81.28	3-	△2
33	83.82	3-	△2
34	86.36	3-	△2
35	88.90	3-	△2
36	91.44	3-	△2
37	93.98	3-	△2
38	96.52	3-	△2
39	99.06	3-	△2
40	101.60	4-	△2
41	104.14	4-	△2
42	106.68	4-	△2
43	109.22	4-	△2
44	111.76	4-	△2
45	114.30	4-	△2
46	116.84	4-	△2
47	119.38	4-	△2
48	121.92	4-	△2
49	124.46	4-	△2
50	127.00	5- 825 434 -0	△2



△1 CONTACT SIDE: MIN.0.7µm PdNi+0.1µm GOLD FLASH OVER 1.27µm NICKEL
 SOLDER SIDE: 3.0-5.0µm TIN OVER 1.27µm NICKEL
 △2 OBSOLETE

CAD-ORIGINAL
 ZEICHNUNG NICHT ÄNDERN

ZEICHNUNG GÜLTIG AB		39/96
KONTAKTSTIFT	Cu Zn	△
STIFTGEHÄUSE	PBT GV	GRÜN
BENENNUNG	WERKSTOFF	OBERFLÄCHE
		FARBE

THIS DRAWING IS UNPUBLISHED. ALL RIGHTS RESERVED. RELEASED FOR PUBLICATION.

DIMENSIONS: mm	DWN	11.04.84	MATERIAL	FINISH				
	A.HO		-	-				
TOLERANCES UNLESS OTHERWISE SPECIFIED: ±0.2mm	CHK	11.04.84	TE Connectivity					
	M.SCHAARSCHMIDT							
0 PLC ± - 1 PLC ± - 2 PLC ± - 3 PLC ± - 4 PLC ± - ANGLES ± -	APVD	-	NAME AMPMODU II PIN HEADER, SINGLE ROW					
	PRODUCT SPEC	108-18012						
	APPLICATION SPEC	-	SIZE	CAGE CODE	DRAWING NO	RESTRICTED TO		
	WEIGHT	-	A4	00779	C-825434	-		
CUSTOMER DRAWING			SCALE	4:1	SHEET	1 OF 1	REV	F