



140×140×38 mm

San Ace 140 9P type

General Specifications

- Material Frame: Plastic (Flammability: UL 94V-0), Impeller: Plastic (Flammability: UL 94V-1)
- Expected life See the table below. (L10 life: 90% survival rate for continuous operation in free air at 60°C, rated voltage)
- Motor protection function Locked rotor burnout protection, Reverse polarity protection
For details, please refer to p. 547.
- Dielectric strength 50/60 Hz, 500 VAC, for 1 minute (between lead wire conductors and frame)
- Insulation resistance 10 MΩ or more with a 500 VDC megger (between lead wire conductors and frame)
- Sound pressure level (SPL) At 1 m away from the air inlet
- Storage temperature -30 to +70°C (Non-condensing)
- Lead wire ⊕Red ⊖Black or Blue (Sensor) Yellow
- Mass 450 g

Specifications

The models listed below **have ribs and pulse sensors.**

| Model no. | Rated voltage [V] | Operating voltage range [V] | Rated current [A] | Rated input [W] | Rated speed [min ⁻¹] | Max. airflow [m ³ /min] [CFM] | Max. static pressure [Pa] [inchH ₂ O] | SPL [dB (A)] | Operating temperature [°C] | Expected life [h] |
|---------------------|-------------------|-----------------------------|-------------------|-----------------|----------------------------------|--|--|--------------|----------------------------|-------------------|
| 109P1412H101 | 12 | 10.2 to 13.8 | 0.73 | 8.76 | 2600 | 4.5 159 | 94 0.378 | 46 | -20 to +70 | 40000/60°C |
| 109P1412M101 | | | 0.33 | 3.96 | 1900 | 3.3 117 | 52 0.209 | 38 | | |
| 109P1424H101 | 24 | 20.4 to 27.6 | 0.37 | 8.88 | 2600 | 4.5 159 | 94 0.378 | 46 | | |
| 109P1424M101 | | | 0.16 | 3.84 | 1900 | 3.3 117 | 52 0.209 | 38 | | |
| 109P1448H101 | 48 | 40.8 to 55.2 | 0.2 | 9.6 | 2600 | 4.5 159 | 94 0.378 | 46 | | |
| 109P1448M101 | | | 0.09 | 4.32 | 1900 | 3.3 117 | 52 0.209 | 38 | | |

The following sensor and control options are available for selection.

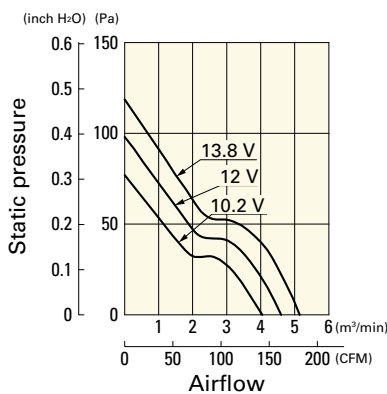
Available for all models. **Without sensor**

Differs according to the model. Refer to the table on p. 564. **Lock sensor**

Airflow - Static Pressure Characteristics

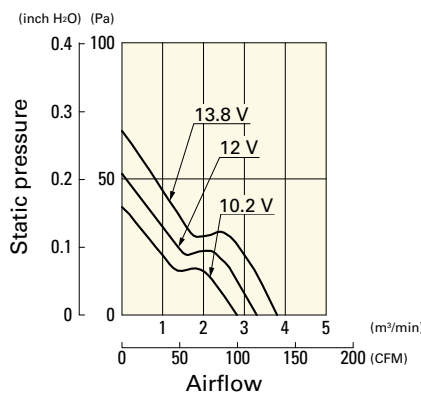
109P1412H101 With pulse sensor

Operating voltage range



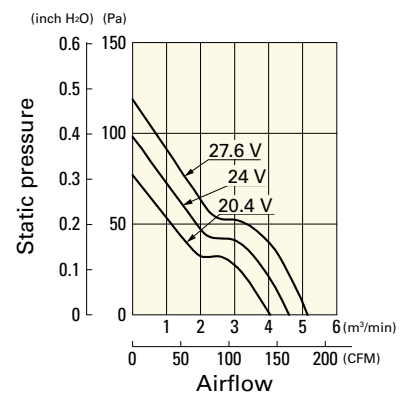
109P1412M101 With pulse sensor

Operating voltage range



109P1424H101 With pulse sensor

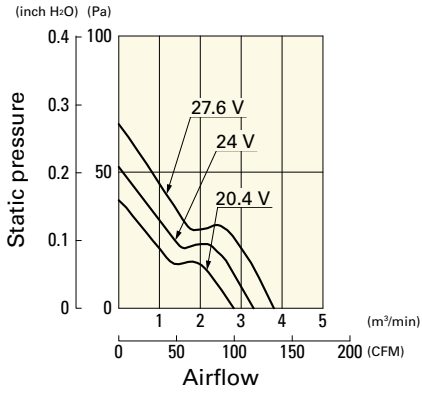
Operating voltage range



Airflow - Static Pressure Characteristics

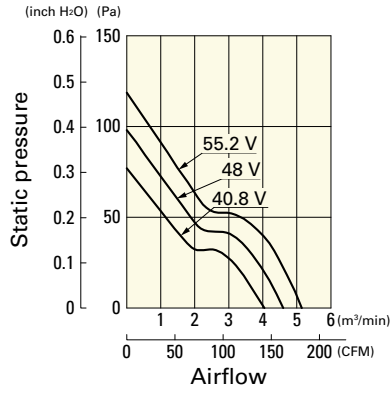
109P1424M101 With pulse sensor

Operating voltage range



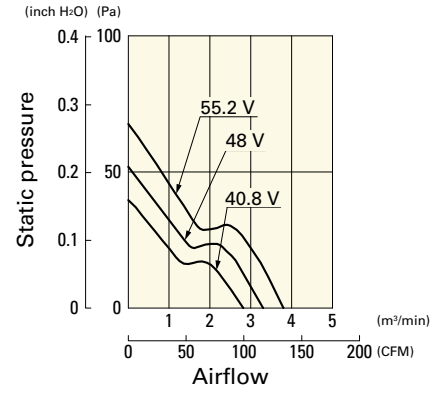
109P1448H101 With pulse sensor

Operating voltage range

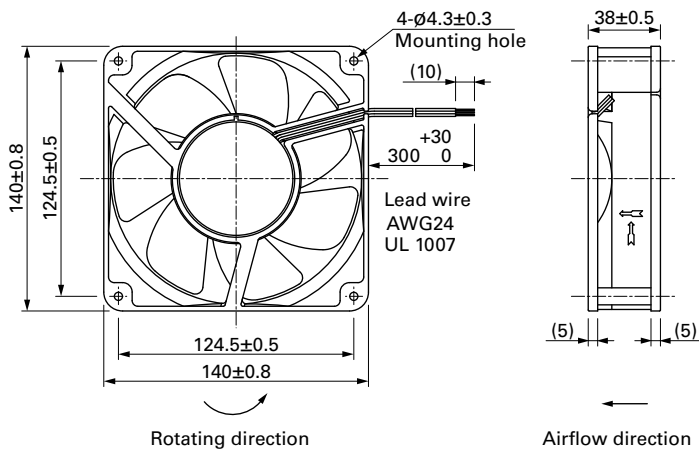


109P1448M101 With pulse sensor

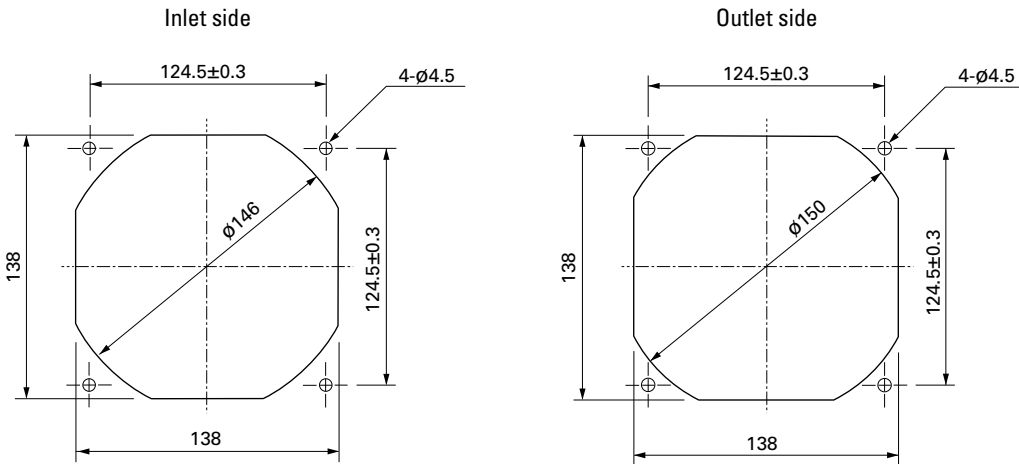
Operating voltage range



Dimensions (unit: mm)



Reference Dimensions of Mounting Holes and Vent Opening (unit: mm)



Options

Finger guards

page: p. 533

Model no.: 109-719, 109-719H