

## Flush-type connector - SACC-E-FS-8CON-M16/1,2 SCO - 1423799

Please be informed that the data shown in this PDF Document is generated from our Online Catalog. Please find the complete data in the user's documentation. Our General Terms of Use for Downloads are valid (<http://phoenixcontact.com/download>)




Flush-type connector, Universal, 8-position, Socket, straight, M12-SPEEDCON, A-coded, Front mounting, M16 x 1.5, Individual wires, cable length: 1.2 m

### Your advantages

- ✓ Pre-assembled with litz wires for immediate use
- ✓ Customer-specific assemblies and litz wire lengths available
- ✓ Sealed on the litz wire side for optimum leak-tightness
- ✓ All standard pin assignments and codings for signal, data, and power transmission with a uniform design-in design
- ✓ For high transmission safety: shield connection to the housing with optional EMC nut
- ✓ SPEEDCON fast locking system reduces cabling times



### Key Commercial Data

Packing unit	1 pc
Minimum order quantity	50 pc
GTIN	 4 055626 356358
GTIN	4055626356358

### Technical data

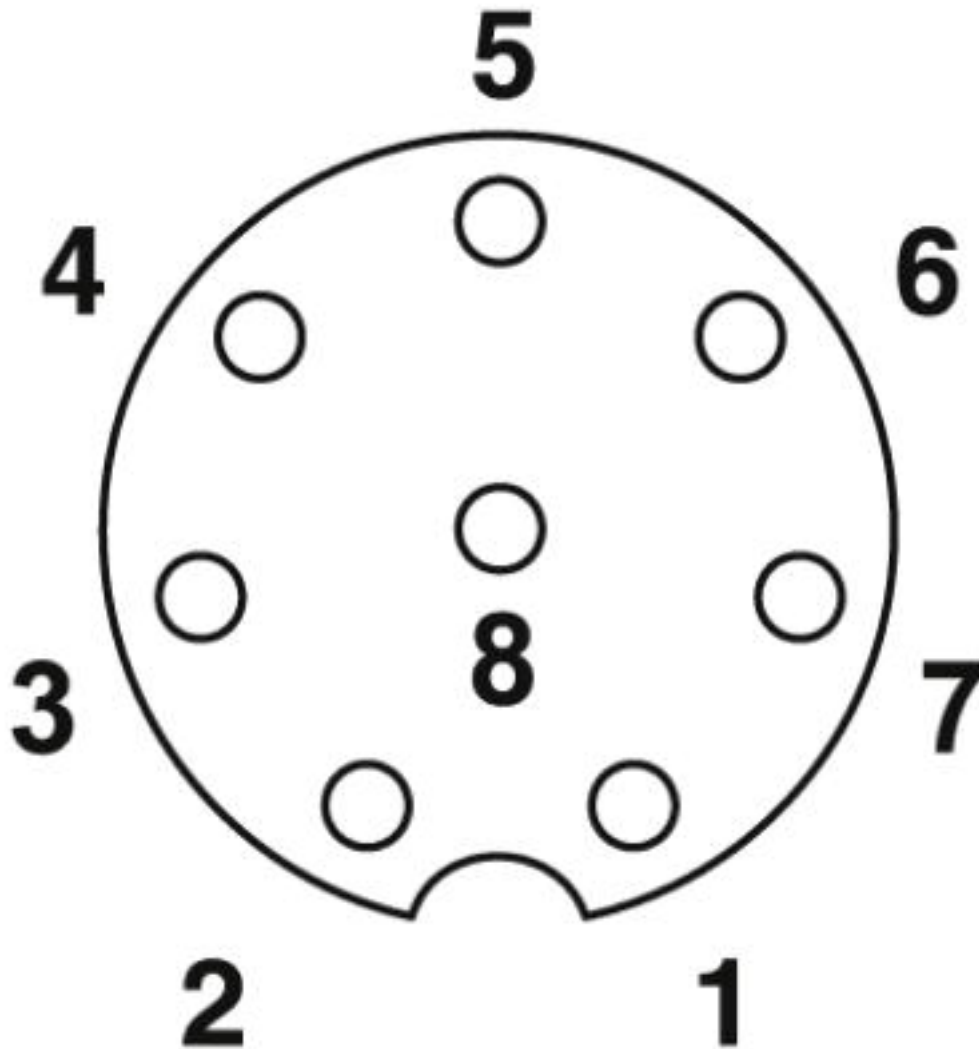
#### Environmental Product Compliance

	Lead 7439-92-1
China RoHS	Environmentally Friendly Use Period = 50
	For details about hazardous substances go to tab "Downloads", Category "Manufacturer's declaration"

### Drawings

# Flush-type connector - SACC-E-FS-8CON-M16/1,2 SCO - 1423799

Schematic diagram

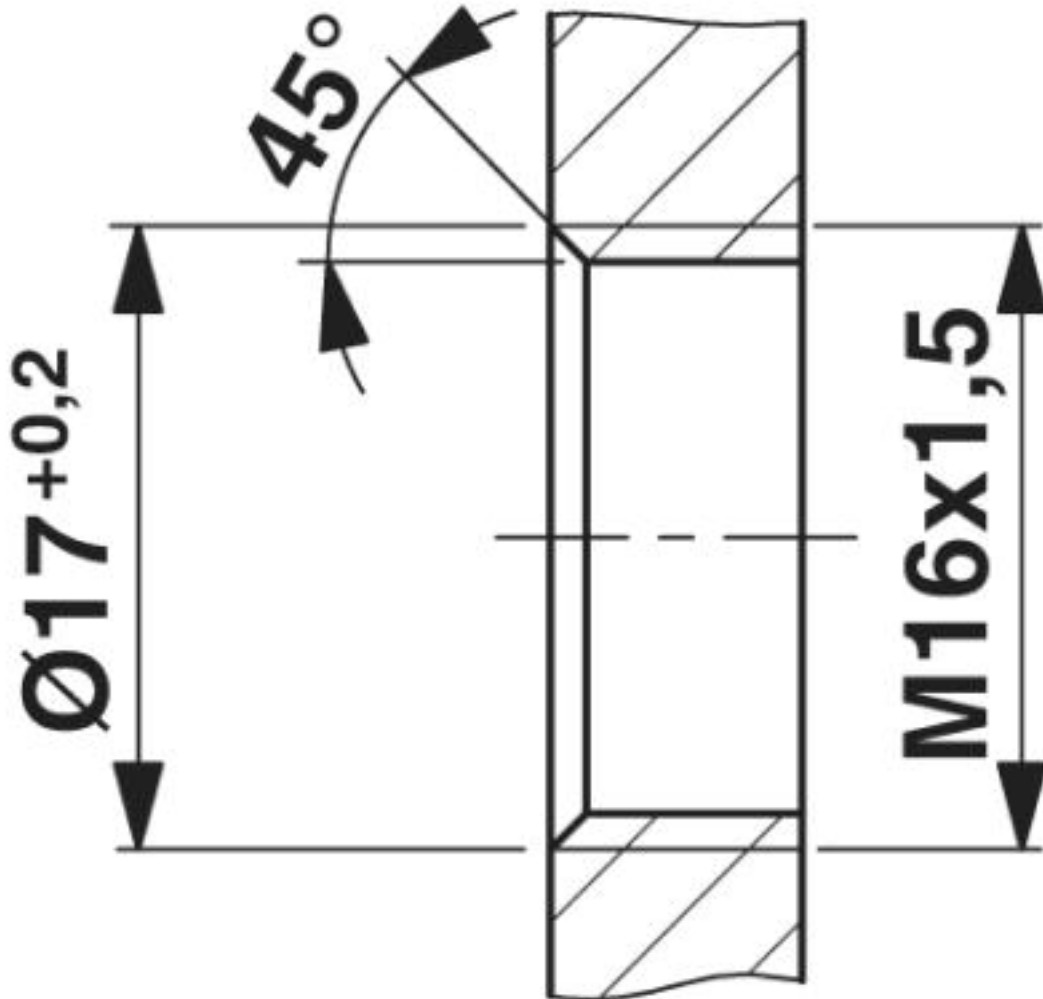


Pin assignment M12 socket, 8-pos., A-coded, view female side



# Flush-type connector - SACC-E-FS-8CON-M16/1,2 SCO - 1423799

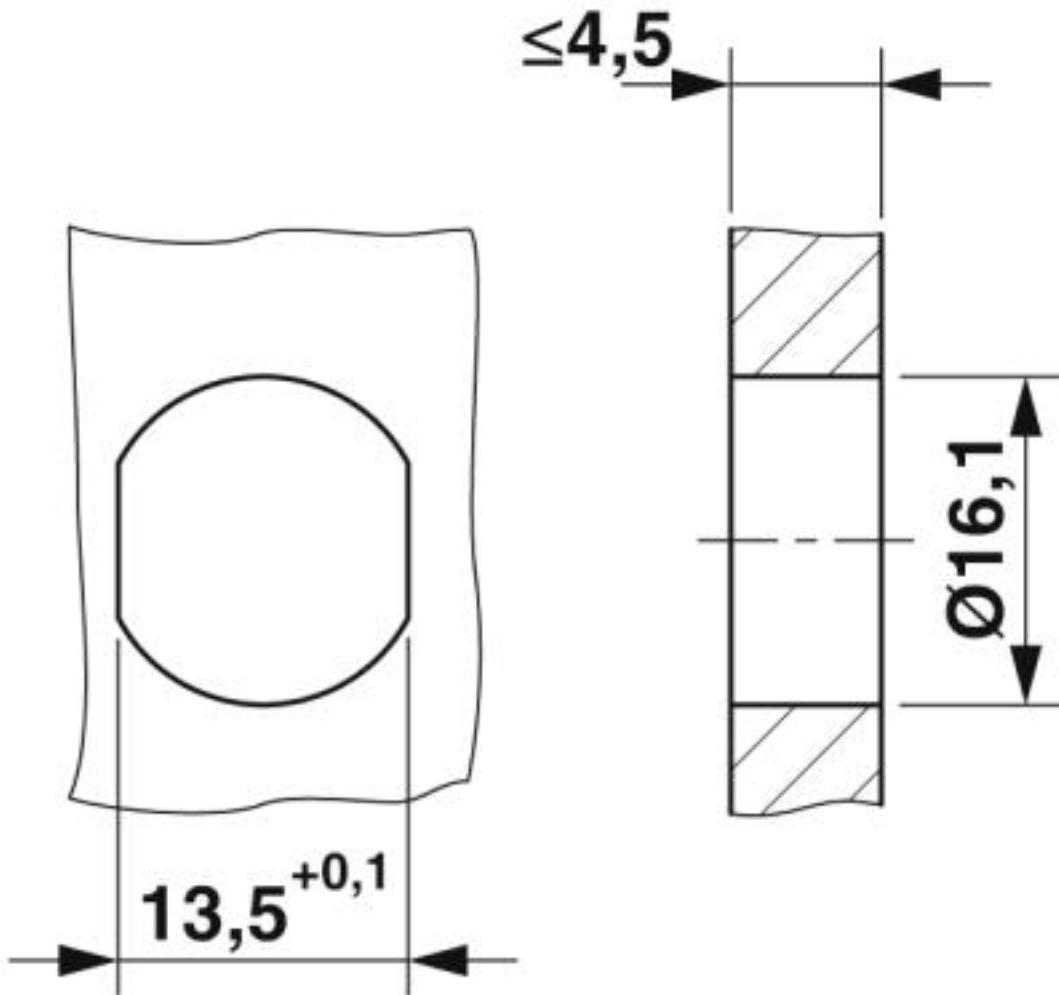
Dimensional drawing



Housing cutout for M16 fastening thread, mounting panel with thread

# Flush-type connector - SACC-E-FS-8CON-M16/1,2 SCO - 1423799

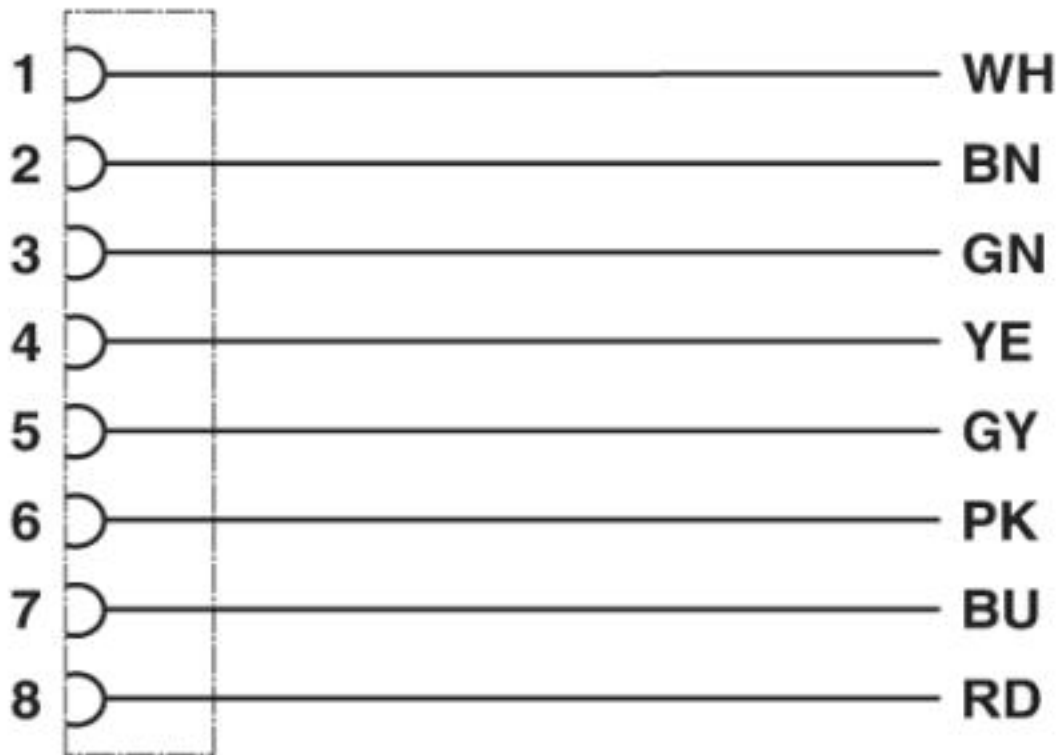
Dimensional drawing



Housing cutout for M16 fastening thread, mounting panel with feed-through hole (alternatively with surface as protection against rotation)

# Flush-type connector - SACC-E-FS-8CON-M16/1,2 SCO - 1423799

Circuit diagram



Contact assignment of the M12 socket

Phoenix Contact 2019 © - all rights reserved  
<http://www.phoenixcontact.com>

PHOENIX CONTACT GmbH & Co. KG  
Flachsmarktstr. 8  
32825 Blomberg  
Germany  
Tel. +49 5235 300  
Fax +49 5235 3 41200  
<http://www.phoenixcontact.com>