

D-31 Series, Rated up to 100 Amps, 115/200 VAC, 400 Hz

Product Facts

- 3PDT, Center off
- Hermetically sealed
- Auxiliary contacts available
- Meets many requirements of MIL-PRF-6106



Performance Data

Electrical Characteristics

Contact Arrangement — 3PDT, Center Off

Rated Operating Voltage — 115/200 VAC, 400 Hz, 3 phase

Resistive Rating — 100 Amps

General Characteristics

Temperature Range — -55°C to +71°C

Operating Cycles (Life) at Rated Resistive Load, Min. — 50,000 cycles

Operating Cycles (Life) Mechanical, Min. — 100,000 cycles

Dielectric Strength — All Circuits to Ground — 1,500 Vrms
Circuit to Circuit — 1,500 Vrms
Coil to Ground and Aux. Contacts — 1,000 Vrms

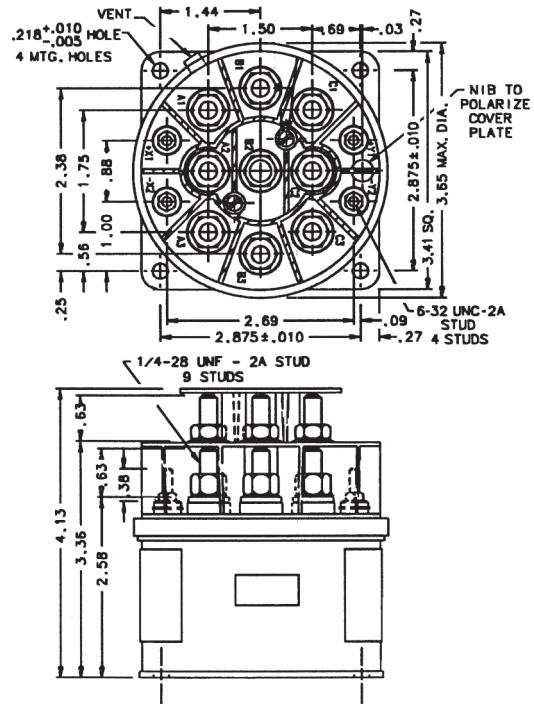
Altitude — 50,000 ft
Weight, Max. — 2.31 lbs

Coil Characteristics

Duty Cycle — Continuous
Operating Voltage, Nom. — 28 Vdc
Pickup Voltage @ 71°C, Max. — 18 Vdc

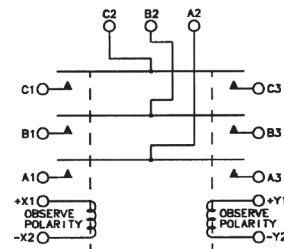
Dropout Voltage, Max. — 1.5 to 7 Vdc

Coil Resistance ±20% @ 25°C — 160 Ohms



Mounting Style A

Circuit Configurations (Consult factory for other available circuit configurations)



Circuit Configuration 1

For factory-direct application assistance, phone 419-521-9500 or fax 419-526-2749.

| HARTMAN Part Number | Construction Type | Mounting Style | Coil Type | Circuit Config. | TE Part Number |
|---------------------|-------------------|----------------|------------|-----------------|----------------|
| D-31C | Gasket/Vented | A | Continuous | 1 | 1616049-1 |

D-31 Series, Rated up to 100 Amps, 28 Vdc

Product Facts

- SPDT, Center Off, Double Break
- Gasket Sealed, Vented
- Meets many requirements of MIL-PRF-6106



Performance Data

Electrical Characteristics

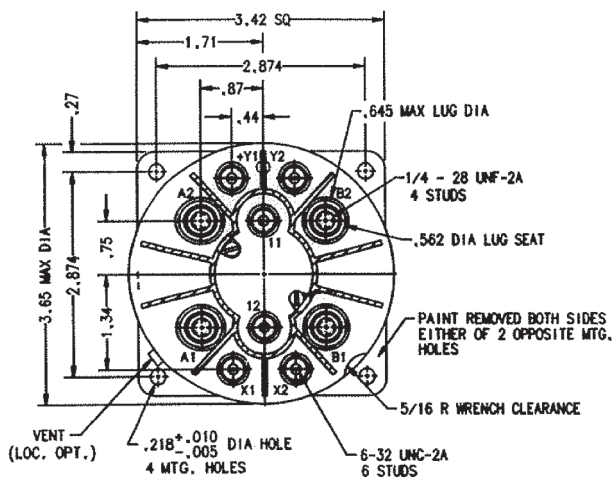
- Main Contacts —**
Main Contact Configuration — SPDT, Center Off, Double Break
Voltage, Nom. — 28 Vdc
Resistive Rating — 100 Amps
Inductive Rating — 100 Amps
Motor Rating — 80 Amps
Overload Rating — 800 Amps
Rupture Rating — 1,000 Amps
Auxiliary Contacts —
Aux. Contact Configuration — SPST, NO
Voltage, Nom. — 115 VAC, 400 Hz or 28 Vdc
Resistive Rating — 3 Amp
Inductive Rating — 3 Amp
Lamp Rating — 1 Amp

General Characteristics

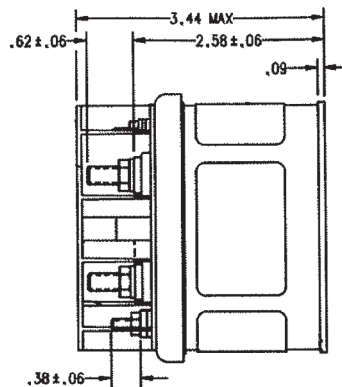
- Temperature Range —** -55°C to +71°C
Operating Cycles (Life) at Rated Resistive Load, Min. — 50,000 cycles
Operating Cycles (Life) Mechanical, Min. — 100,000 cycles
Altitude — 50,000 ft.
Weight, Max. — 1 lb 15 oz

Coil Characteristics

- Duty Cycle —** Continuous
Coil Data, X Coil —
Operating Voltage, Nominal — 115 VAC, 400 Hz
Pickup Voltage @ 25°C, Max., Initial — 75 VAC, 400 Hz
Dropout Voltage @ 25°C — 12 V to 38 V
Coil Resistance ±20% @ 25°C — 655 Ohms
Coil Current @ 25°C — .050 Amp DC AV @ 115 VAC, 400 Hz
Coil Data, Y Coil —
Operating Voltage, Nominal — 28 Vdc
Pickup Voltage @ 25°C, Max., Initial — 15 VDC
Dropout Voltage @ 25°C — 2.0 V to 6.5 V
Coil Resistance ±20% @ 25°C — 163 Ohms
Coil Current @ 25°C — .215 Amp Max. @ 28 Vdc

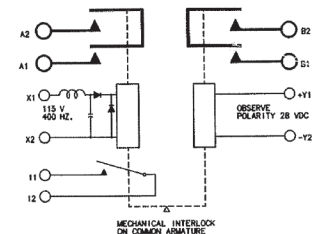


Mounting Style A



Circuit Configurations

(Consult factory for other available circuit configurations)



Circuit Configuration 1

For factory-direct application assistance, phone 419-521-9500 or fax 419-526-2749.

| HARTMAN Part Number | Construction Type | Mounting Style | Coil Type | Circuit Config. | TE Part Number |
|---------------------|-------------------|----------------|------------|-----------------|----------------|
| D-31BAA | Gasket/Vented | A | Continuous | 1 | 1616097-1 |