

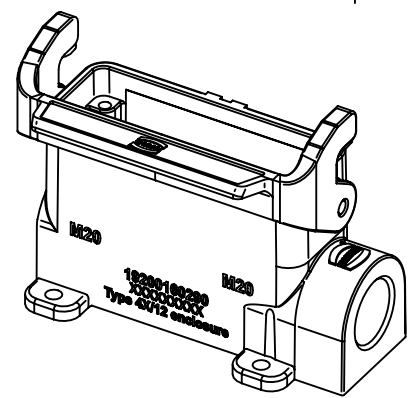
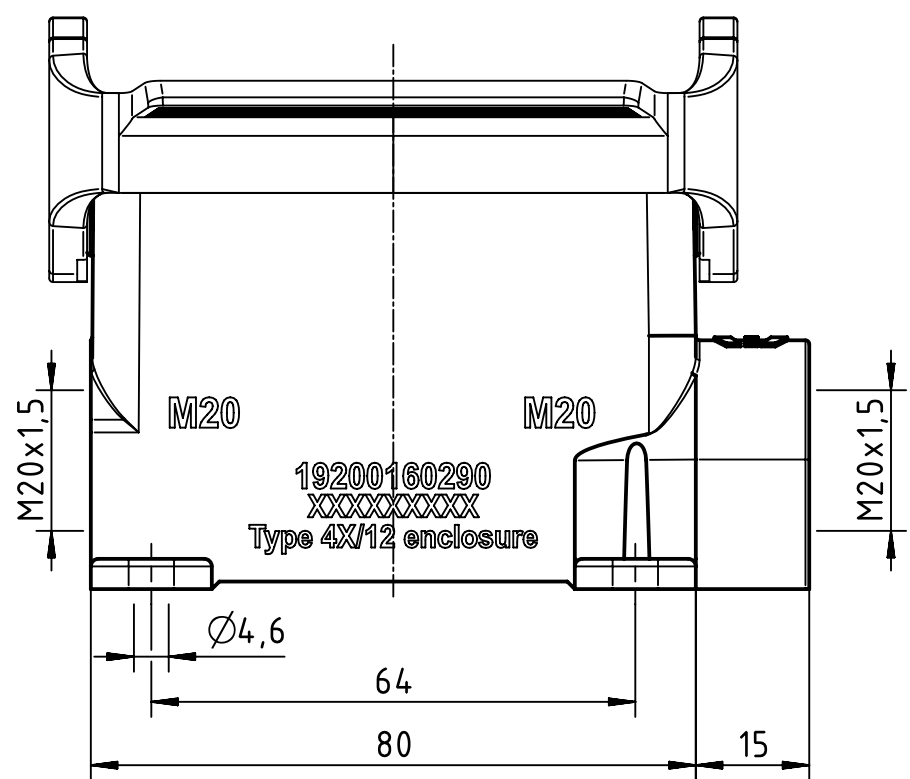
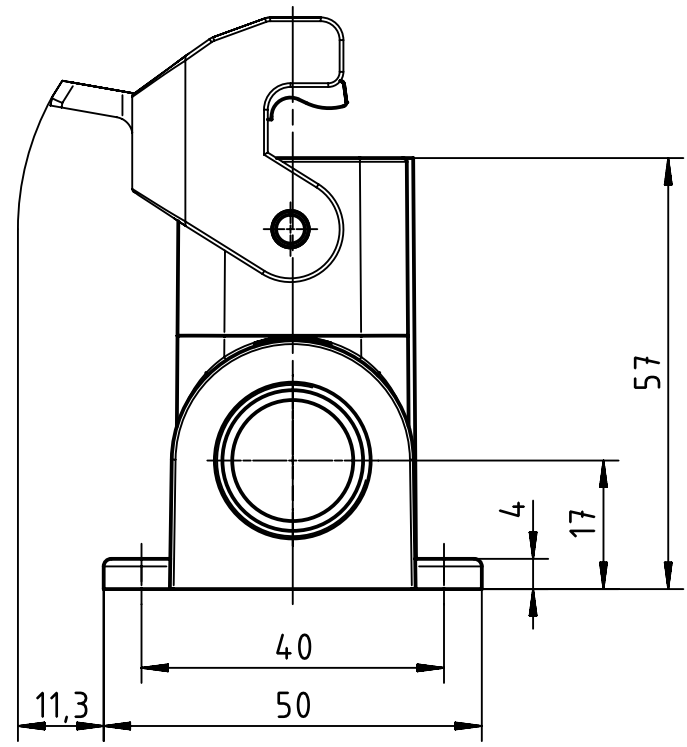
1 2 3 4 5 6

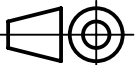

A

B

C

D



|  |                              |                |                 |                                     |               |
|--|------------------------------|----------------|-----------------|-------------------------------------|---------------|
|  All Dimensions in mm<br>Original Size DIN A4 | Scale                        | Free size tol. |                 | Ref.                                |               |
|  | 1:1                          |                |                 | Sub.                                |               |
|  All rights reserved<br>Department EL PD      | Created by                   | Inspected by   | Standardisation | Date                                | State         |
|  | HELLMANN                     | GERB           | GARSKE          | 2019-12-04                          | Final Release |
| HARTING Electric GmbH & Co. KG<br>D-32339 Espelkamp  | Title                        |                |                 | Doc-Key / ECM-Nr.                   |               |
|  | Han 16A-HSM-HC 1 Lever 2xM20 |                |                 | 100186818/UGD/004/C<br>500000160754 |               |
| Type   |                              | Number         |                 | Rev.                                | Page          |
| TB   |                              | 19 20 016 0290 |                 | C                                   | 1/1           |