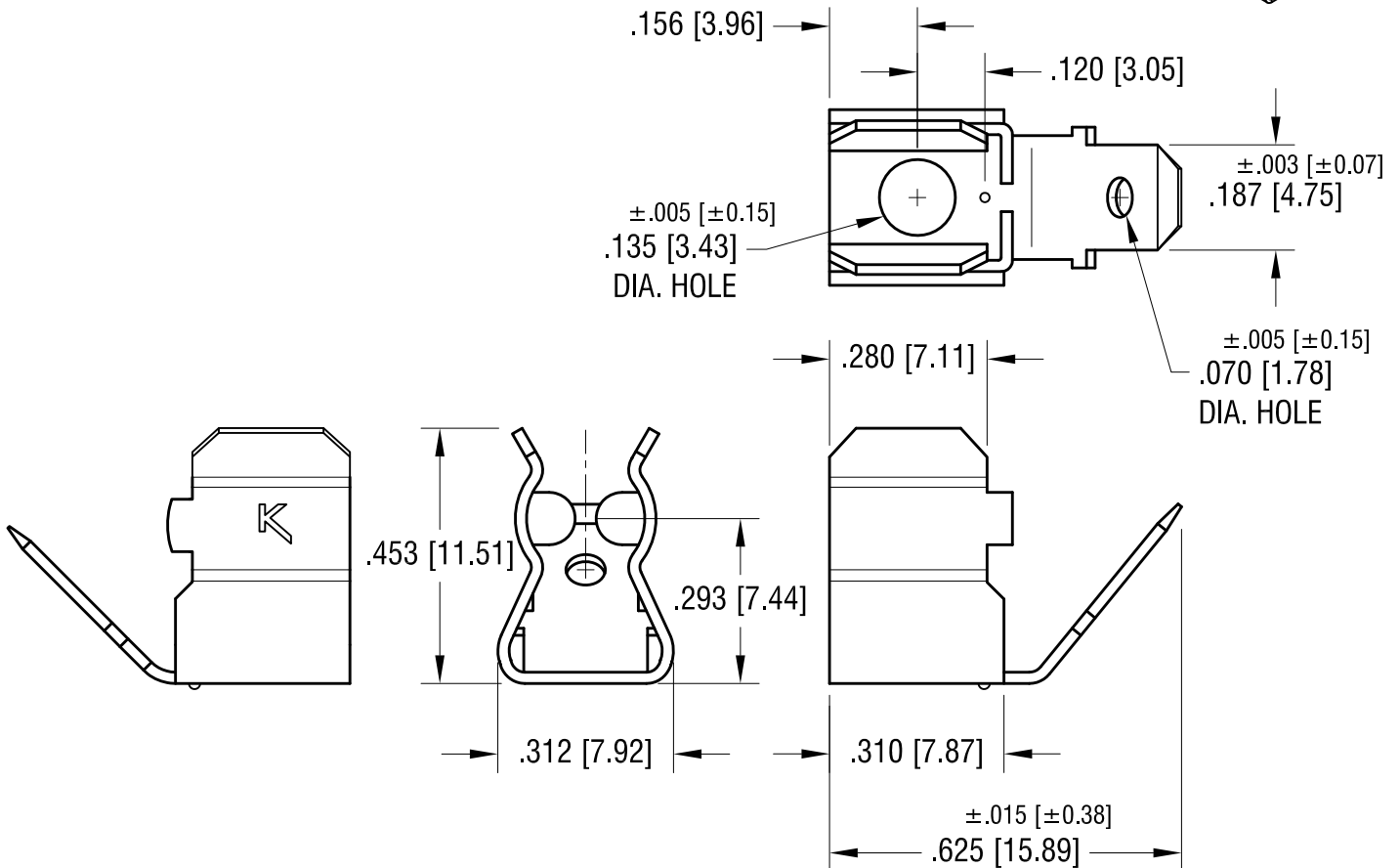
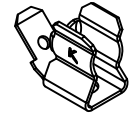


THIS DOCUMENT IS THE PROPERTY OF
KEYSTONE ELECTRONICS CORP. AND
SHALL NOT BE REPRODUCED, DISTRIBUTED
OR USED AS A BASIS FOR MANUFACTURE
WITHOUT PRIOR WRITTEN PERMISSION
FROM KEYSTONE ELECTRONICS CORP.

ACTUAL SIZE



KEY FILE NUMBER: E354010

KEYSTONE ELECTRONICS CORP.

www.keyelco.com • NEW HYDE PARK NY 11040 • Tel (516)328-7500

PART NAME		3AG QUICK-FIT FUSE CLIP	
MATERIAL		.020 [0.50] TH'K BRASS	
FINISH		DRN BY	DATE
NICKEL PLATE		BOONE	5.23.02
TOLERANCES		APP'D	SCALE
INCH	[MM]	MR	3X
DECIMAL	± .010 [± 0.25]	DWG NO.	
ANGULAR	± 1°	C	
UNLESS OTHERWISE SPECIFIED		4246	

9.12.12	CHANGE AS PER ECN 12-140	B
12.11.09	CHANGE AS PER ECN 09-183	A
DATE	DESCRIPTION	REV.