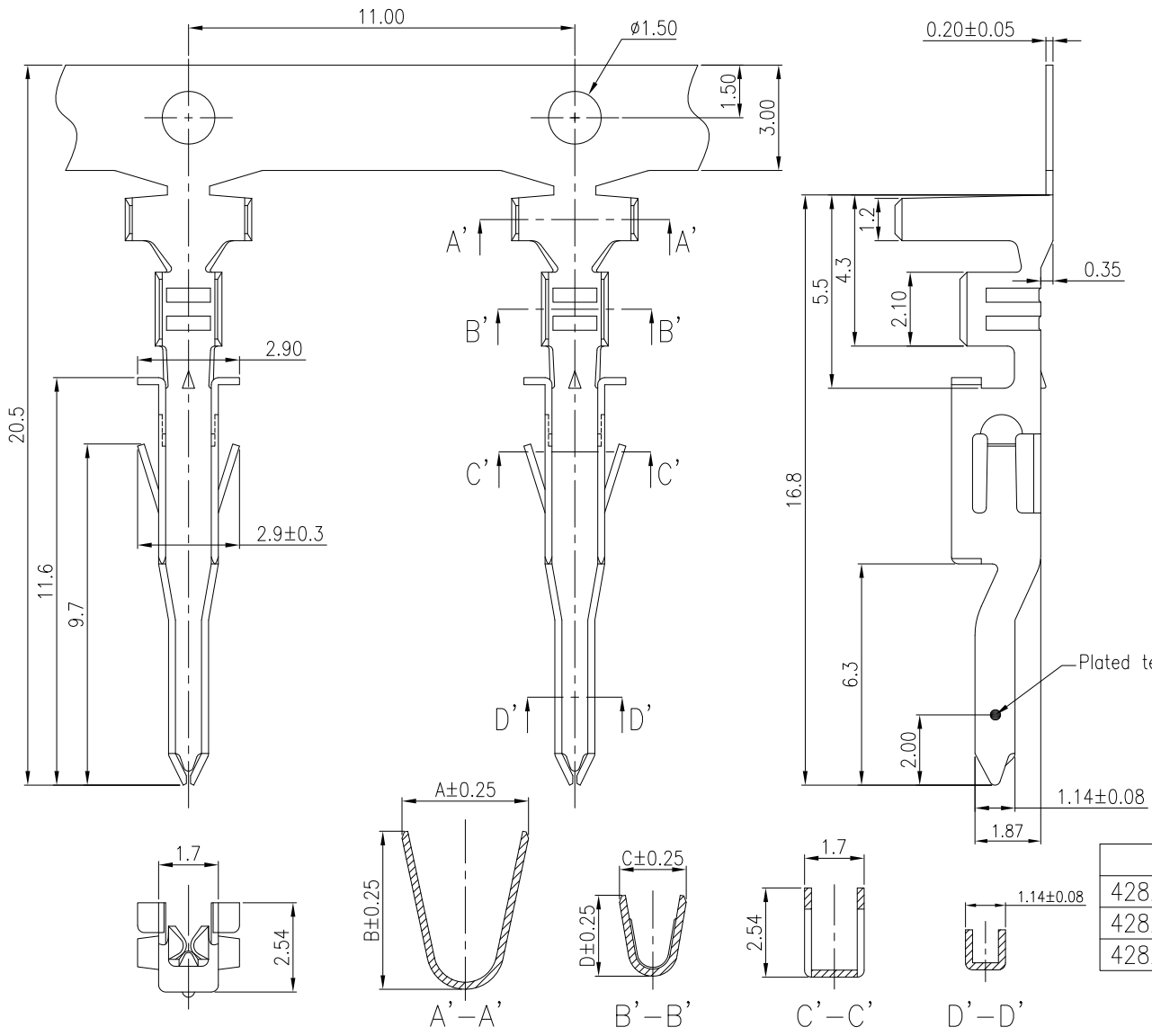


Specifications:

Current Rating:9.0 AC/DC
 Voltage Rating:600V AC/DC
 Contact Resistance:10m ohm. max.
 Withstanding Voltage:1,500V AC/minute
 Operating Temperature Range:-40°C~+105°C
 Application Wires:AWG16 to 28
 Mates With 4282 Series Housing
 Material and Finish
 Contact:Phosphor Bronze
 Finish:Tin Plated
 Packing:See Table



Part No	Wire Apply	A	B	C	D	INS. O.D.	Q'ty/Reel
4282M1618-99	16-18AWG	3.6	4.5	2.3	2.7	ø3.1MAX	4,000Pcs
4282M1822-99	18-22AWG	3.6	4.5	1.9	2.3	ø1.3-3.1	4,000Pcs
4282M2428-99	24-28AWG	2.3	2.3	1.8	1.65	ø0.9-1.8	5,000Pcs

RoHS Compliant

				DRAWN:	GENERAL TOLERANCE: .X=±0.20 .XX=±0.15	<h1 style="color: red; text-align: center;">CnC Tech</h1> <p style="text-align: center;">Industrial Cable and Connector Technology</p>	
				CHECKED:	UNIT: MM SCALE: 1:1		DESCRIPTION: MALE TERMINAL MATES W/ FEMALE HOUSING 4281 SERIES, PHOSPHOR BRONZE, CRIMP TIN
				APPROVAL:	SHEET: 1 / 2	PART NO:	A4
REV	DATE	FILE	BY		PROJECTION:	4282MXXXX-99	

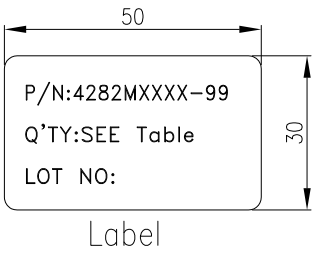
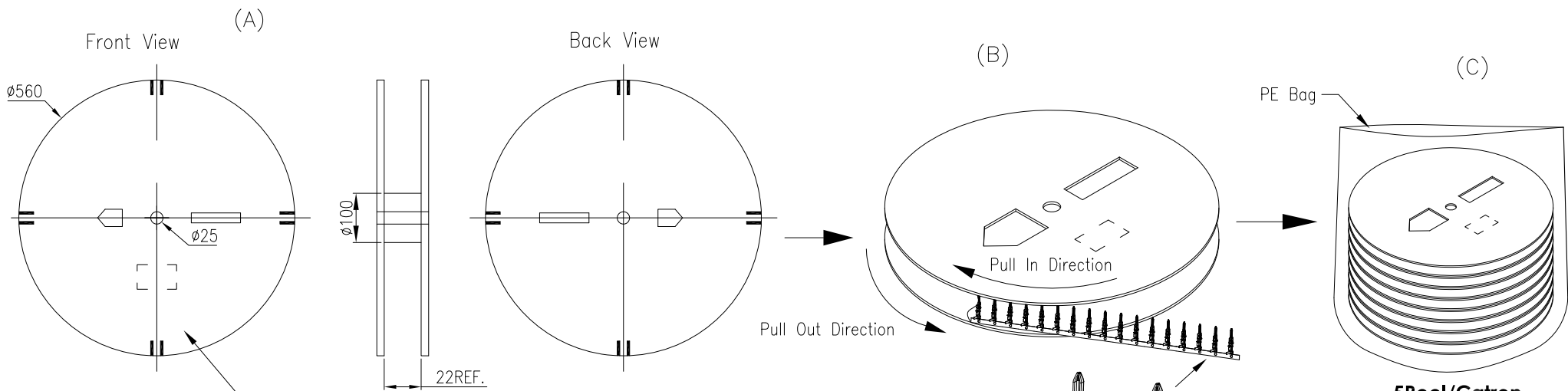
1

2

3

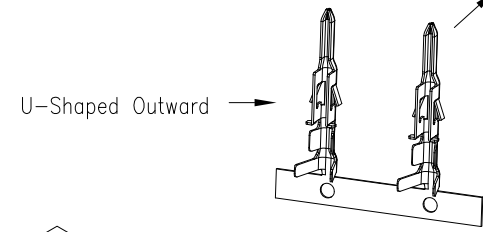
4

5

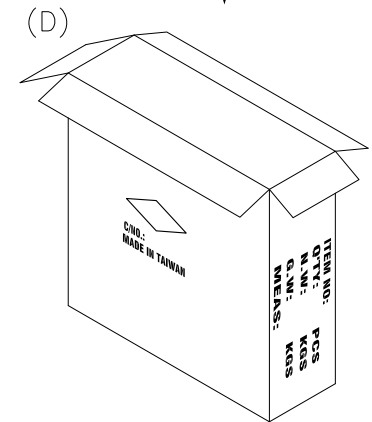
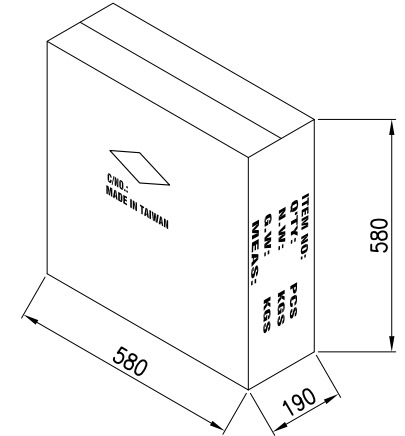


Part No	Q'ty/Reel	Reel/Catron	Q'ty/Catron
4282M1618-99	4,000PCS	5Reel	20,000PCS
4282M1822-99	4,000PCS	5Reel	20,000PCS
4282M2428-99	5,000PCS	5Reel	25000PCS

Package Quantity



Waterproof Bag:1000*850*0.04



Note :
 A.Reel packing Size:φ560*25, A=A, T=5mm; Paper shaft Size:φ100*25,T=22mm
 B.Direction all the same as (Picture B), only available after plating, separate each layer of terminal by putting paper between it.
 C.Put styrofoam inside to avoid defective terminal, attach label on each tray then place into PE bag.
 D.Seal carton and attach carton label

RoHS Compliant

				DRAWN:	GENERAL TOLERANCE: .X=±0.20 .XX=±0.15	<h1 style="color: red; text-align: center;">CnC Tech</h1> <p style="text-align: center;">Industrial Cable and Connector Technology</p>		
				CHECKED:	UNIT: MM SCALE: 1:1			DESCRIPTION: MALE TERMINAL MATES W/ FEMALE HOUSING 4281 SERIES, PHOSPHOR BRONZE, CRIMP TIN PACKING
				APPROVAL:	SHEET: 2 / 2	PART NO:	A4	
REV	DAIE	FILE	BY		PROJECTION:	4282MXXXX-99		