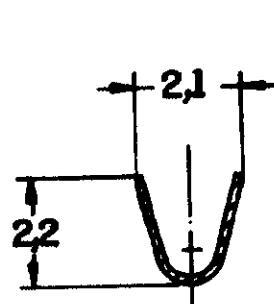
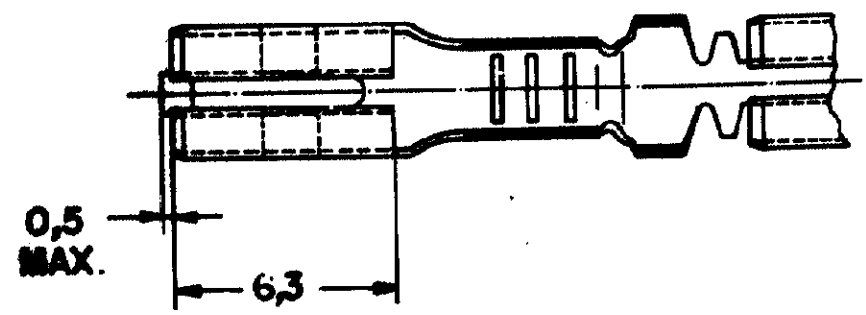
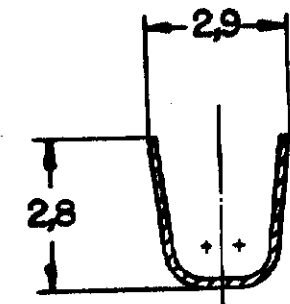


DWG NO.		DO NOT SCALE		METRIC		3rd ANGLE PROJECTION	
		DIMENSIONS IN mm.					
REQ. PER ASSY	ITEM	DESCRIPTION	MATERIAL	FINISH			

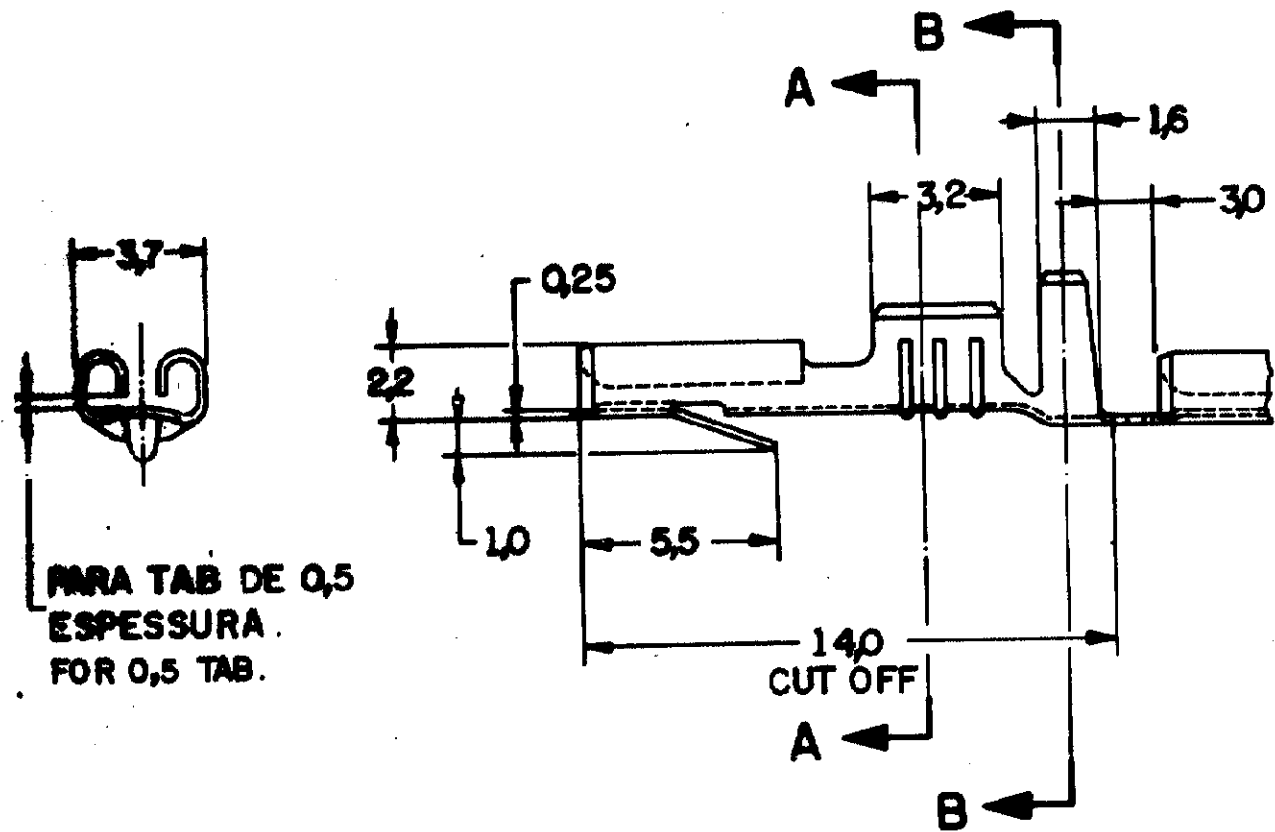


SECCÃO A-A
SECTION



SECCÃO B-B
SECTION

△ OBSOLETE PARTS



PARA TAB DE 0,5
ESPESSURA.
FOR 0,5 TAB.

881511	-5	PRÉ ESTANHADO	LATÃO	881505	-4
881511	-3	ESTANHADO	BRONZE FOSFOROSO	881505	-3
881511	-1	ESTANHADO	LATÃO	881505	-1
LOOSE PIECE		FINISH	MATERIAL	PART NUMBER	
CUSTOMER DWG for REFERENCE ONLY			THIS DRAWING IS UNPUBLISHED. RELEASED FOR PUBLICATION.		
TOLERANCES UNLESS OTHERWISE STATED DEC: ± 0,5 ANGLES ± 1°			INS. DIA. RANGE 1,27 - 2,03mm	WIRE RANGE 0,30 - 0,56mm	SCALE 1/1
DR. N.C. LAPRESA 02 - JUL - 93			AMP AMP do BRASIL LTDA São Paulo, Brasil		
E2 REV. ECO18-003809 E1 REVISED PER ECO-09-026444 REDRAWN WITH CHANGE			DESCRIPTION: .110 SERIES RECEPTACLE FASTIN - FASTON		
REVISION RECORD			A3		DWG NO. C 881505
ECH DR. DATE APP.			SHEET 1 OF 1		