

DO NOT SCALE FROM THIS PRINT

DESIGNED AND DIMENSIONED IN MILLIMETERS [INCHES]
ALL DIMENSIONS REFERENCE EXCEPT AS SHOWN

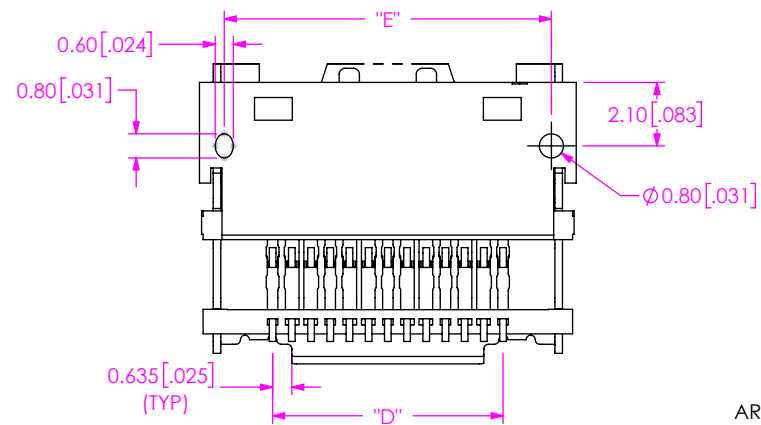
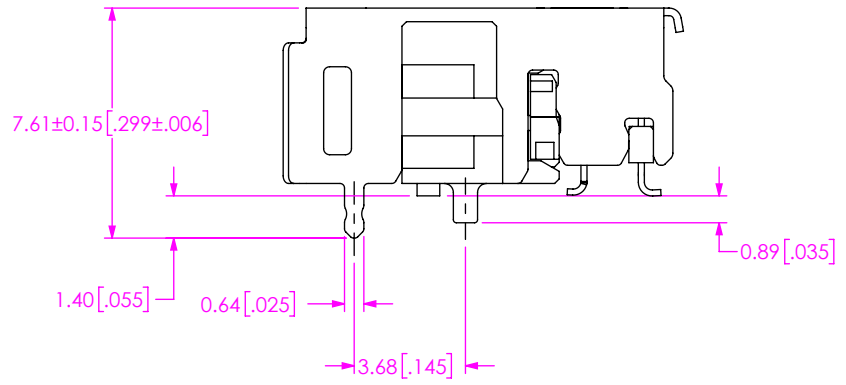
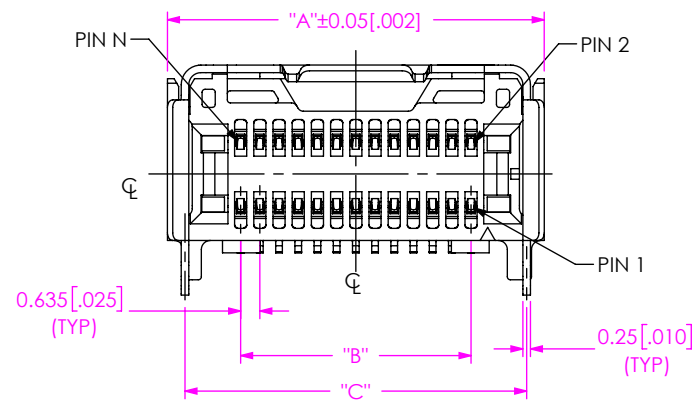
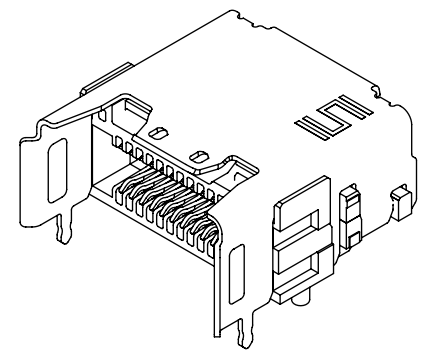
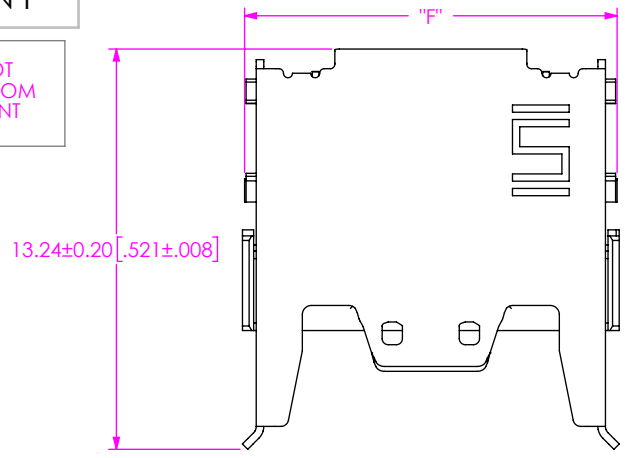
ARF6-XX-X-RA-XR

NO OF PAIRS (TOTAL)
-08, -16, -24

PLATING SPECIFICATION
-S: 30µ" SELECTIVE GOLD
IN CONTACT AREA,
MATTE TIN ON TAIL

PACKAGING
-TR: TAPE & REEL (SEE NOTES 1 & 2)
-FR: FULL REEL QTY. TAPE & REEL
(SEE NOTE 2)

ROW SPECIFICATION
-RA: RIGHT ANGLE



No. OF PAIRS	N	N-1
-08	26	25
-16	50	49
-24	74	73

NO OF PAIRS	"A"	"B"	"C"	"D"	"E"	"F"
-08	12.46 [.491]	7.62 [.300]	11.30 [.445]	7.62 [.300]	10.82 [.426]	12.32 [.485]
-16	20.08 [.791]	15.24 [.600]	18.92 [.745]	15.24 [.600]	18.44 [.726]	19.94 [.785]
-24	27.70 [1.091]	22.86 [.900]	26.54 [1.045]	22.86 [.900]	26.06 [1.026]	27.56 [1.085]

FIG 1
ARF6-08-X-RA SHOWN

NOTES:

1. TAPE & REEL IS STANDARD PACKAGING.
2. ORDERS WILL BE PACKAGED ACCORDING TO THE SAMTEC PACKAGING EFFICIENCY STANDARDS (SPES) FOUND ON WWW.SAMTEC.COM

<p>PROPRIETARY NOTE</p> <p>THIS DOCUMENT CONTAINS CONFIDENTIAL AND PROPRIETARY INFORMATION AND ALL DESIGN, MANUFACTURING, REPRODUCTION, USE, PATENT RIGHTS AND SALES RIGHTS ARE EXPRESSLY RESERVED BY SAMTEC, INC. THIS DOCUMENT SHALL NOT BE DISCLOSED, IN WHOLE OR PART, TO ANY UNAUTHORIZED PERSON OR ENTITY NOR REPRODUCED, TRANSFERRED OR INCORPORATED IN ANY OTHER PROJECT IN ANY MANNER WITHOUT THE EXPRESS WRITTEN CONSENT OF SAMTEC, INC.</p>	<p>520 PARK EAST BLVD., NEW ALBANY, IN 47150 PHONE: 812-944-6733 FAX: 812-948-5047 e-Mail info@SAMTEC.com code 55322</p>			
		<p>DO NOT SCALE DRAWING SHEET SCALE: 4:1</p> <p>MATERIAL: INSULATOR: LCP CONTACT: COPPER ALLOY SHIELD: PHOS BRONZE</p>	<p>DESCRIPTION: ACCELERATE-RA ASSEMBLY</p> <p>DWG. NO. ARF6-XX-X-RA-XR</p>	
<p>F:\DWG\MISC\MKTG\ARF6-XX-X-RA-XR-MKT.SLDDRW</p>		<p>BY: JOE Z</p>	<p>05/03/2018</p>	<p>SHEET 1 OF 1</p>